

SHOWER  
M.E. 25 Pressure Balancing  
Shower System - Tub and Shower  
**G-7282-C17B**

---

**GRAFF®**

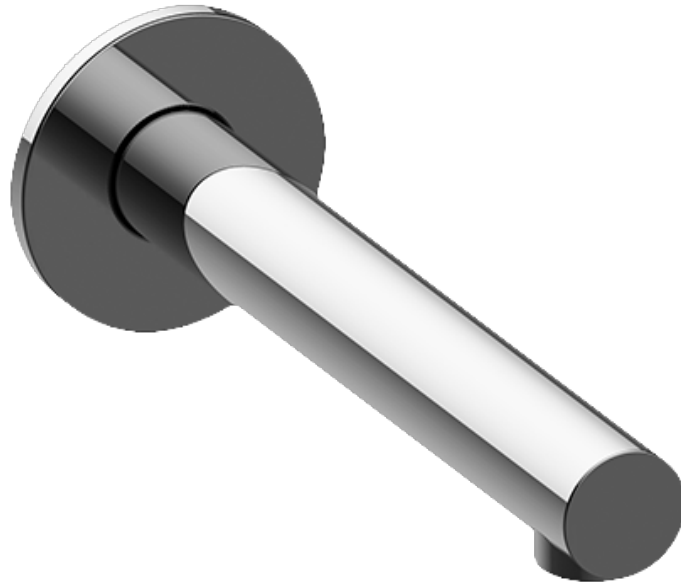


## Information

- 1/2" pressure balance valve with diverter and trim
- 8" showerhead with 12" wall-mounted shower arm
- Showerhead features no-clog, easy-clean spray nozzles
- 8" matching M.E. and M.E. 25 collection tub spout
- Optional extension kit
- Showerhead flow rate  $\leq 1.8$  max gpm
- ADA
- CALGreen

SHOWER  
8" Contemporary M.E. & M.E. 25  
Tub Spout  
**G-6165**

**GRAFF®**



**Information**

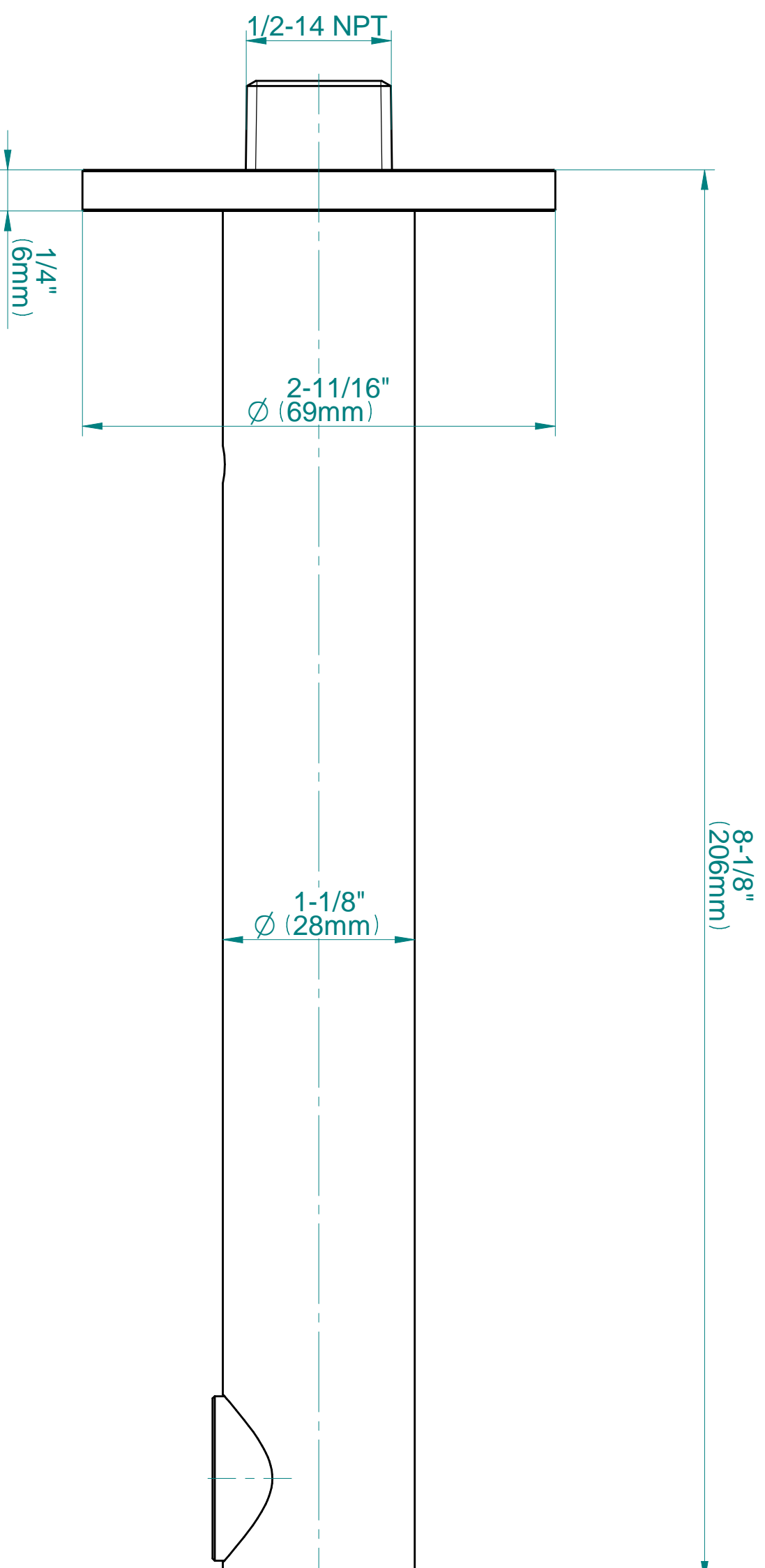
- Includes spout ring
- 1/2" NPT male thread inlet
- Tub spout flow rate ~ 13.9 gpm @60 psi
- Matches M.E & M.E. 25 Collections

**Finishes**



# G-6165

## ME Series



SHOWER  
 Concealed Pressure Balancing  
 Valve Rough w/Diverter  
**G-7055**



**Information**

- Anti-scald protection
- 1/2" universal inlets/outlets with male threads
- Built-in service stops
- Push-button diverter
- For use with tub & shower configuration
- Supplied with protective plastic guard

**Finishes**





## G-7055

1/2" Rough Valve w/Diverter



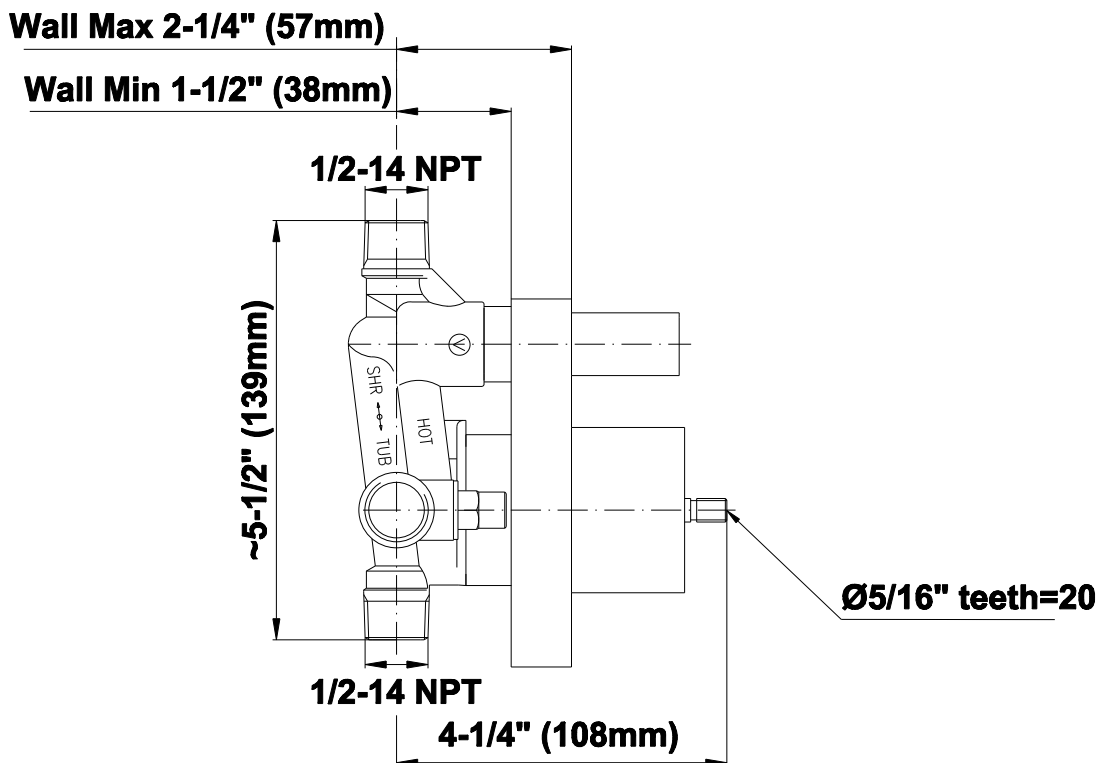
### Product Features

- Anti-scald protection
- 1/2" universal inlets/outlets with male threads
- Built-in service stops
- Push-button diverter
- For use with tub & shower configuration
- Supplied with protective plastic guard

### Warranty

- Limited lifetime warranty

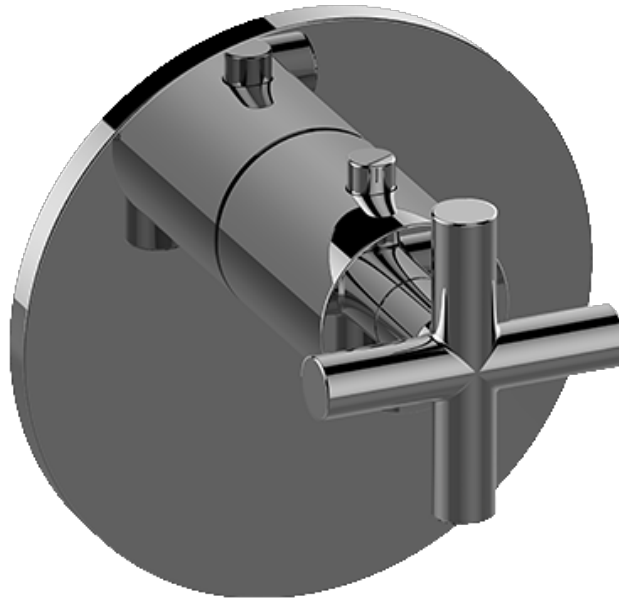
For complete warranty information go to [www.graff-faucets.com/en-nam/warranty](http://www.graff-faucets.com/en-nam/warranty)



The measurements shown are for reference only. Products and specifications shown are subject to change without notice. Revised 06/2014.

[www.graff-faucets.com](http://www.graff-faucets.com) | phone: 800-954-4723

SHOWER  
M.E. M-Series Thermostatic Valve  
Trim with Handle  
**G-8037-C17E-T**



**Information**

- Single metal handle
- Decorative trim plate
- Use with G-8006 Thermostatic Rough Valve
- ADA

**Finishes**

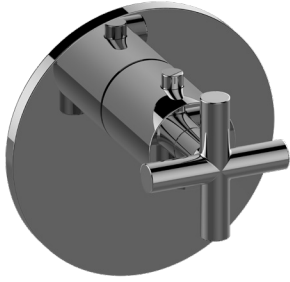


# G-8037-C17E-T

Terra Collection

M-Series Thermostatic Valve Trim with Handle

# GRAFF®



## Product Features

- Single metal handle and decorative trim plate
- Use with G-8006 thermostatic rough valve

## Available Finishes

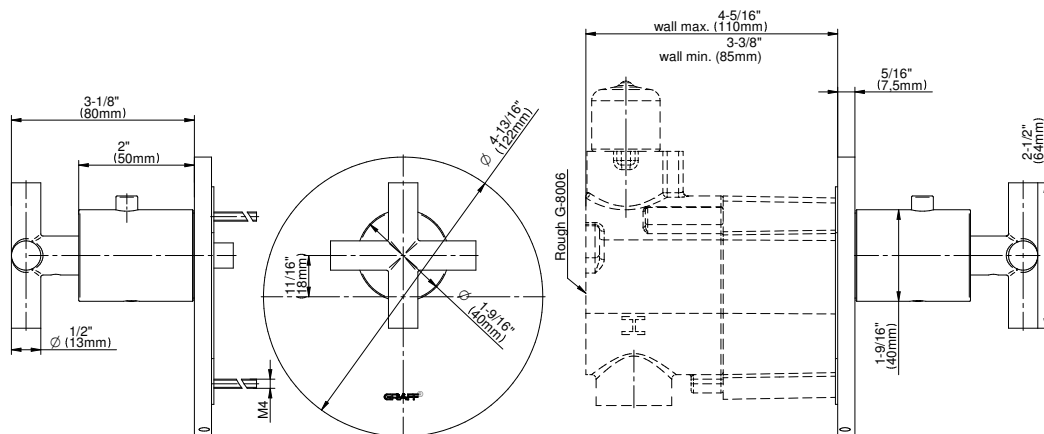
- Polished Chrome  
G-8037-C17E-PC-T
- Brushed Nickel  
G-8037-C17E-BNi-T
- Polished Nickel  
G-8037-C17E-PN-T
- Olive Bronze\*  
G-8037-C17E-OB-T\*
- Unfinished Brass\*  
G-8037-C17E-UB-T\*

\* Special order finish- call for availability

## Warranty

- Limited lifetime warranty

For complete warranty information go to <https://www.graff-faucets.com/en/info/faqs>



The measurements shown are for reference only. Products and specifications shown are subject to change without notice. Revised 8/2018.

[www.graff-designs.com](http://www.graff-designs.com) | phone: 800-954-4723



SHOWER  
8" Round Brass Showerhead  
**G-8449**

**GRAFF®**



**Information**

- 1/4" thick
- 169 no-clog, easy-clean rubber spray nozzles
- Recommended use with ceiling shower arm
- Recommended for use at no more than 10 degrees tilt
- Showerhead flow rate ≤ 1.8 max gpm
- CALGreen

**Finishes**



# G-8449

Aqua-Sense Collection  
Contemporary 8" Round Showerhead



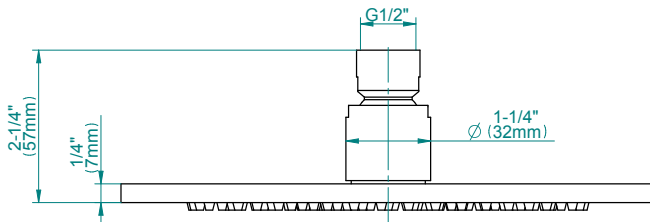
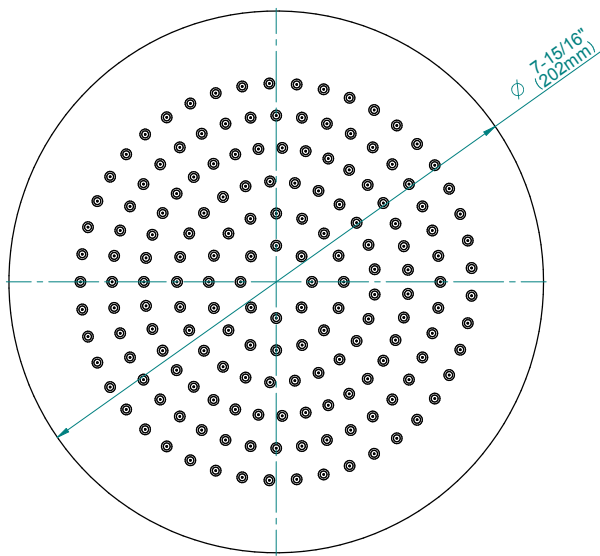
## Product Features

- 1/4" thick
- 169 no-clog, easy-clean rubber spray nozzles
- Showerhead flow rate  $\leq 1.8$  max gpm

## Available Finishes

- Polished Chrome  
G-8449-PC
- Brushed Nickel  
G-8449-PN
- Polished Nickel  
G-8449-BNi
- Unfinished Brass\*  
G-8449-UB\*
- Steinox  
G-8449-SN
- Olive Brass\*  
G-8449-OB\*
- Architectural Black with Chrome Accents\*  
G-8449-PC/BK\*
- Brushed Gold\*  
G-8449-BAU

\* Special order finish- call for availability



## Code Compliance

- CALGreen

## Warranty

- Limited lifetime warranty

For complete warranty information go to [www.graff-designs.com/en-nam/warranty](http://www.graff-designs.com/en-nam/warranty)

The measurements shown are for reference only. Products and specifications shown are subject to change without notice. Revised 12/2017

[www.graff-designs.com](http://www.graff-designs.com) | phone: 800-954-4723

SHOWER  
Contemporary 12" Shower Arm  
**G-8503**

**GRAFF®**



**Information**

- Includes arm and solid round flange
- 1/2" NPT male thread inlet
- For use with all showerheads

**Finishes**



## G-8503

Shower Components

Contemporary 12" Shower Arm

# GRAFF®



### Product Features

- Includes arm and round flange
- 1/2" NPT male thread inlet
- For use with all showerheads

### Warranty

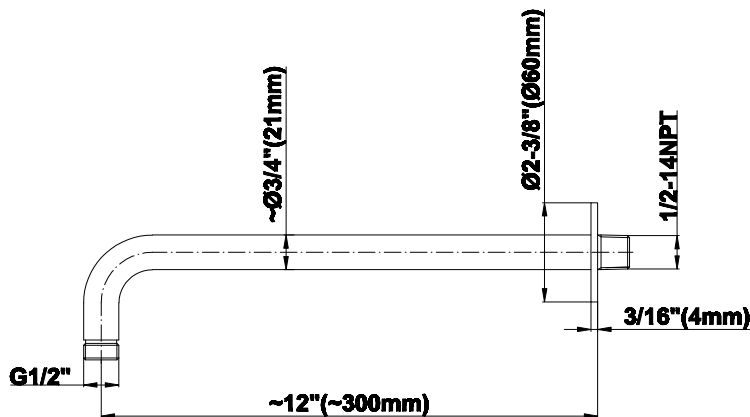
- Limited lifetime warranty

For complete warranty information go to [www.graff-designs.com/en-nam/warranty](http://www.graff-designs.com/en-nam/warranty)

### Available Finishes

- Polished Chrome  
G-8503-PC
- Polished Nickel  
G-8503-PN
- Brushed Nickel  
G-8503-BNi
- Unfinished Brushed Brass\*  
G-8503-UBB\*
- Unfinished Brass\*  
G-8503-UB\*
- Matte Black\*  
G-8503-MBK\*
- Architectural Black\*  
G-8503-BK\*
- Architectural White\*  
G-8503-WT\*
- Steelnox (Satin Nickel)\*  
G-8503-SN\*
- Olive Brass\*  
G-8503-OB\*
- Gunmetal\*  
G-8503-GM\*
- Vintage Brushed Brass\*  
G-8503-VBB\*
- OR'osa PVD\*  
G-8503-RG\*
- Brushed OR'osa PVD\*  
G-8503-BRG\*
- Onyx PVD\*  
G-8503-OX\*
- Brushed Onyx PVD\*  
G-8503-BOX\*
- Polished Brass PVD\*  
G-8503-PB\*
- Brushed Brass PVD\*  
G-8503-BB\*
- 24K Brushed Gold\*  
G-8503-BAU\*
- 24K Gold\*  
G-8503-AU\*
- Gunmetal Distressed\*  
G-8503-GMD\*

\* Special order finish- call for availability



The measurements shown are for reference only. Products and specifications shown are subject to change without notice. Revised 10/2019

[www.graff-designs.com](http://www.graff-designs.com) | phone: 800-954-4723