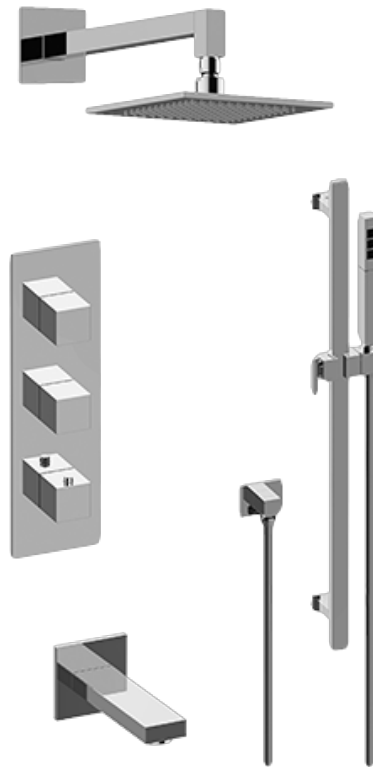


SHOWER
M-Series Thermostatic Shower
System - Tub and Shower with
Handshower
GM3.612WT-SH0

GRAFF®



Information

- 3/4" thermostatic valve and trim
- 3/4" stop/volume control valve and 3-way diverter valve
- 8" showerhead with 12" wall-mounted shower arm
- Showerhead features no-clog, easy-clean spray nozzles
- Handshower set with wall-mounted slide bar and 59" hose (PVD finishes use 59" flex hose)
- 8" contemporary tub spout
- Optional extension kit
- Flow rates: showerhead \leq 1.8 max gpm, handshower \leq 1.5 max gpm
- CALGreen

SHOWER
Thermostatic Rough Valve
G-8006



Information

- 12.9 gpm @ 60 psi
- 3/4" universal inlets
- Built-in service stops
- Stacking outlet feature
- Complete serviceability from front of all units
- Supplied with protective plastic cover
- CalGreen compliant dependent on functions

Finishes



G-8006

M-Series

3/4" Concealed Thermostatic Rough Valve



Product Features

- 12.9 gpm @ 60 psi
- 3/4" universal inlets
- Built-in service stops
- Stacking outlet feature
- Complete serviceability from front of all units
- Supplied with protective plastic cover
- CalGreen compliant dependent on functions

Code Compliance

- CALGreen

Warranty

- Limited lifetime warranty

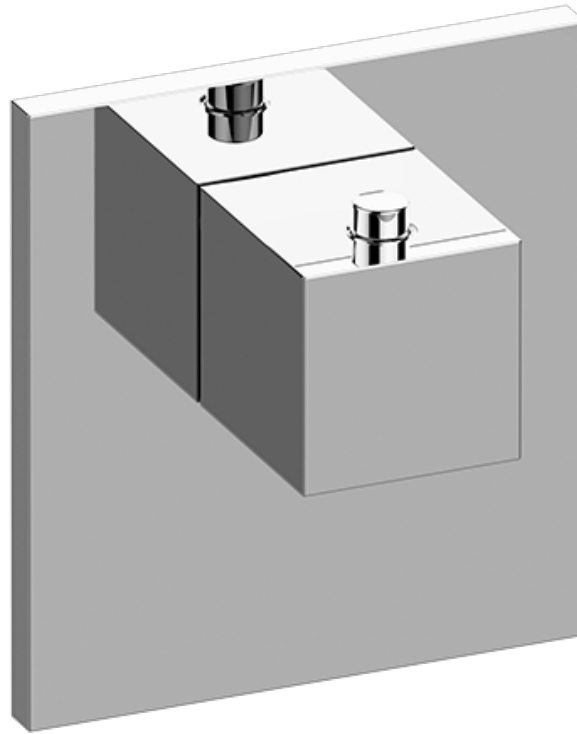
For complete warranty information go to www.graff-faucets.com/en/info/faqs



The measurements shown are for reference only. Products and specifications shown are subject to change without notice. Revised 3/2016.

www.graff-faucets.com | phone: 800-954-4723

SHOWER
M-Series Square Thermostatic
Valve Trim Plate and Handle
G-8043-SH-T



Information

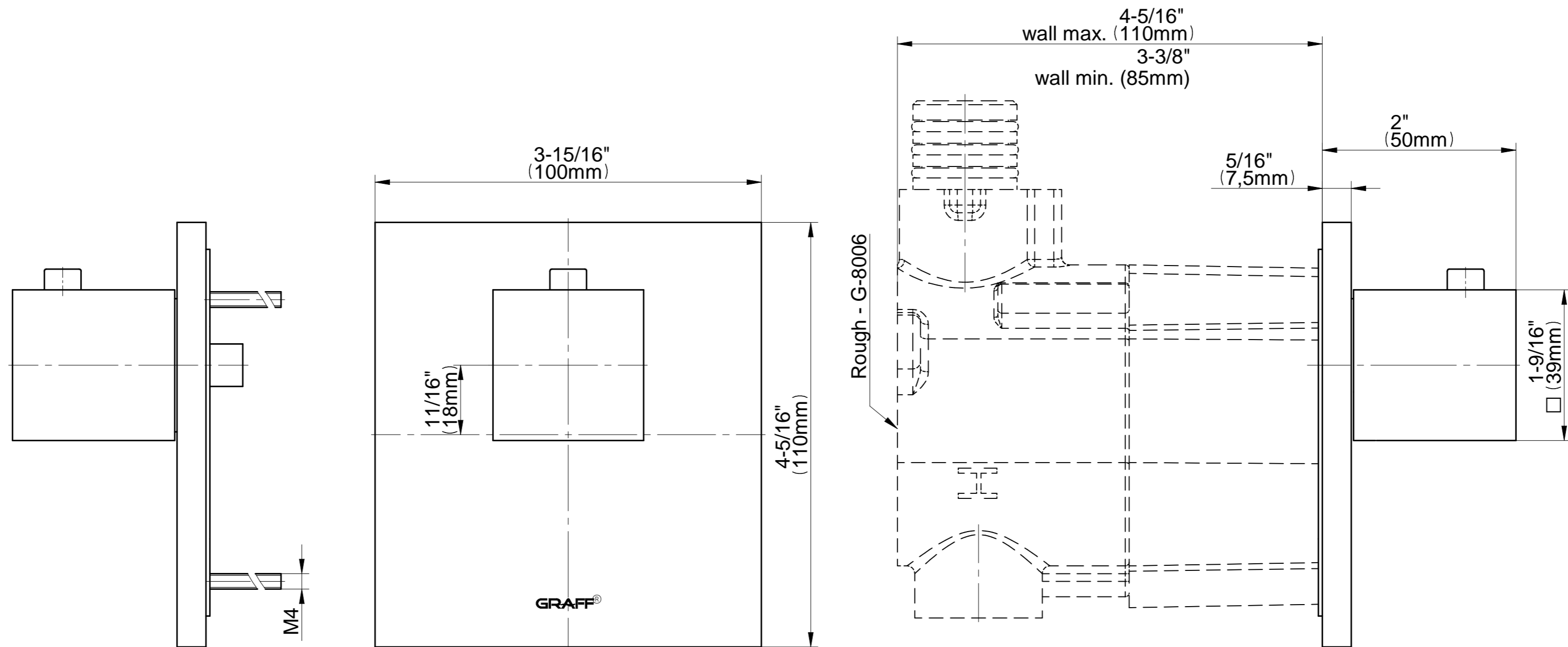
- Single metal handle
- Decorative trim plate
- Use with G-8006 thermostatic rough valve
- To complete package, you must order rough valve

Finishes



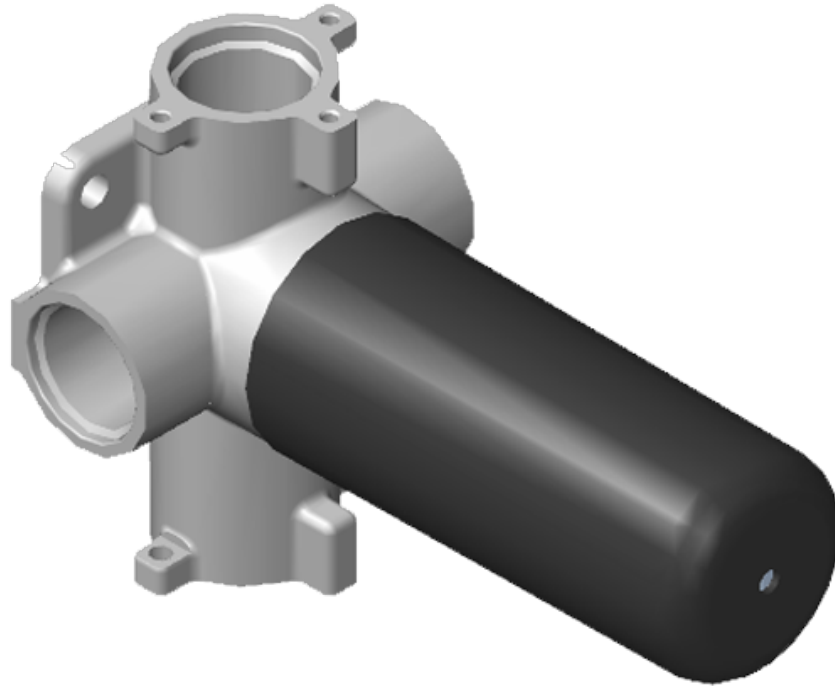
G-8043-SH-T

Thermostatic Valve -Trim - M-Series



GRAFF[®]
CUTTING EDGE DESIGN

SHOWER
 Three-Way Shared Function
 Diverter Control Valve WITHOUT
 Off Function (No Pass-Through)
G-8053S



Information

- ~11 gpm @ 60 psi
- 3/4" universal inlets/outlets with female threads
- Operates one function separately or two functions together
- Recommended to use with G-8077 Stop/Volume Control Valve
- Stacking inlet feature
- Supplied with protective plastic cover

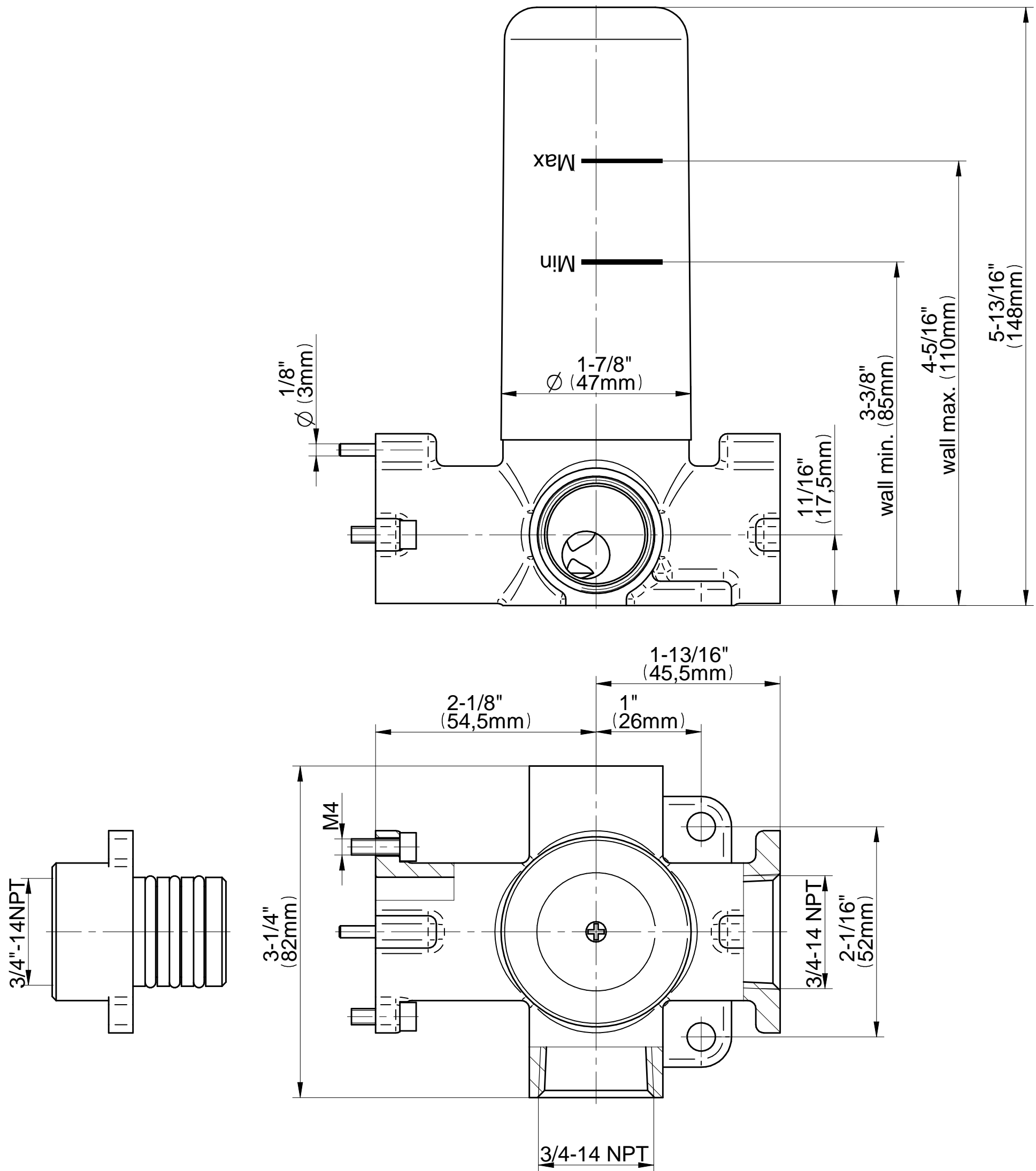
Finishes



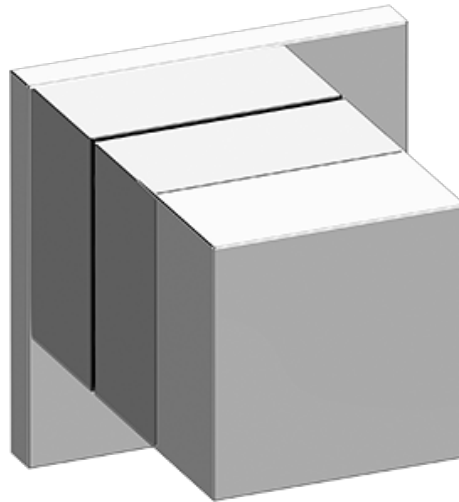
Steelnox® Architectural
(Satin Nickel) White

G-8053S

3-way Diverter Valve - Rough - M-Series



SHOWER
M-Series Square Three-Way
Diverter Valve Trim Plate and
Handle
G-8072-SH1-T



Information

- Single metal handle
- Decorative trim plate
- Use with G-8053 3-way diverter control rough valve WITH off function
- To complete package, you must order rough valve

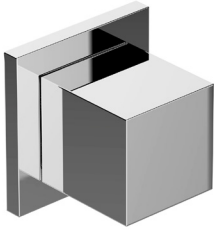
Finishes



G-8072-SH1-T

M-Series

Square M-Series 3-Way Diverter Valve Trim with Handle



Product Features

- Single metal handle
- Decorative trim plate
- Use with G-8053 3-way diverter control rough valve WITH off function
- To complete package, you must order rough valves

Available Finishes

- Polished Chrome
G-8072-SH1-PC-T
- Brushed Nickel
G-8072-SH1-BNi-T
- Polished Nickel
G-8072-SH1-PN-T
- Olive Bronze
G-8072-SH1-OB-T
- Architectural Black w/Chrome Accents
G-8072-SH1-PC/BK-T

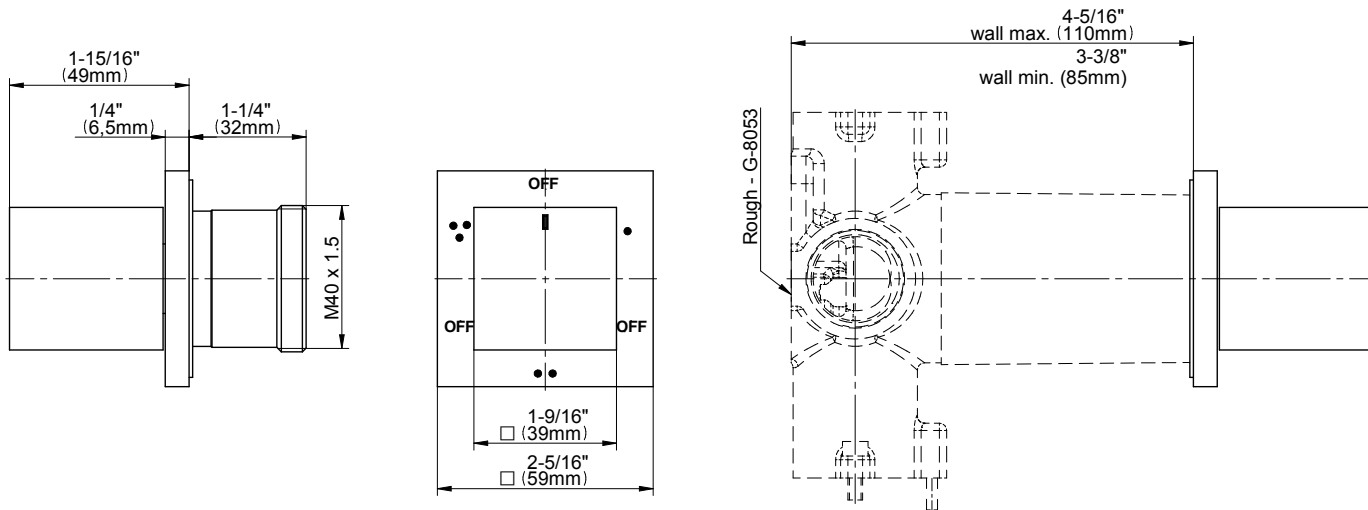
Code Compliance

- CalGreen compliant dependent on functions

Warranty

- Limited lifetime warranty

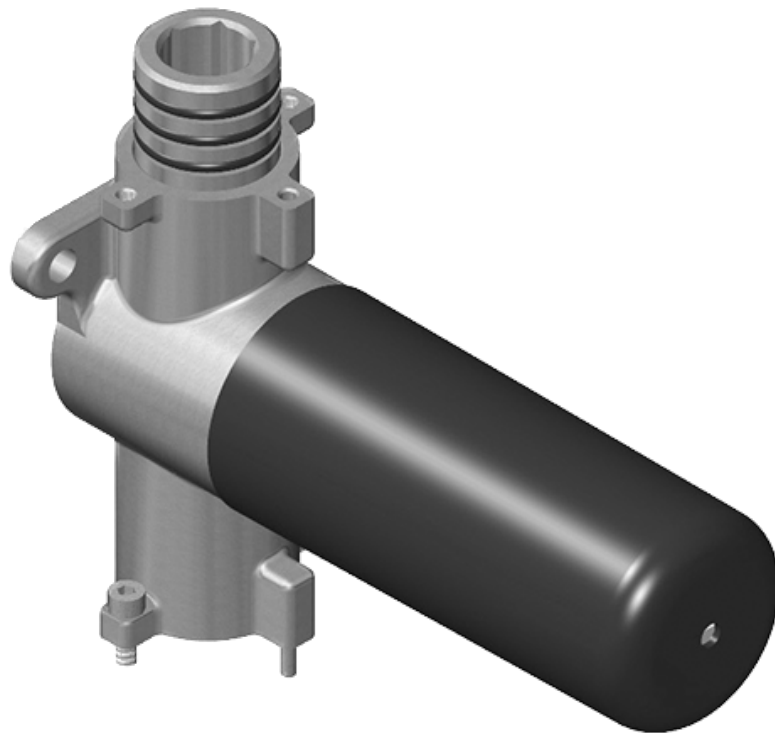
For complete warranty information go to <http://www.graff-faucets.com/en/info/faqs>



The measurements shown are for reference only. Products and specifications shown are subject to change without notice. Revised 02/2017.

www.graff-faucets.com | phone: 800-959-4723

SHOWER
 Stop/Volume Control Rough Valve
G-8077



Information

- 18.1 gpm @ 60 psi
- 3/4" universal inlets/outlets with female threads
- Stacking inlet and outlet feature
- Supplied with protective plastic cover
- CalGreen compliant dependent on functions

Finishes



G-8077

M-Series

Stop/Volume Control Rough Valve



Product Features

- 3/4" universal inlets/outlets with female threads
- 18.1 gpm @ 60 psi
- Stacking inlet and outlet feature
- Supplied with protective plastic cover
- CalGreen compliant dependent on functions

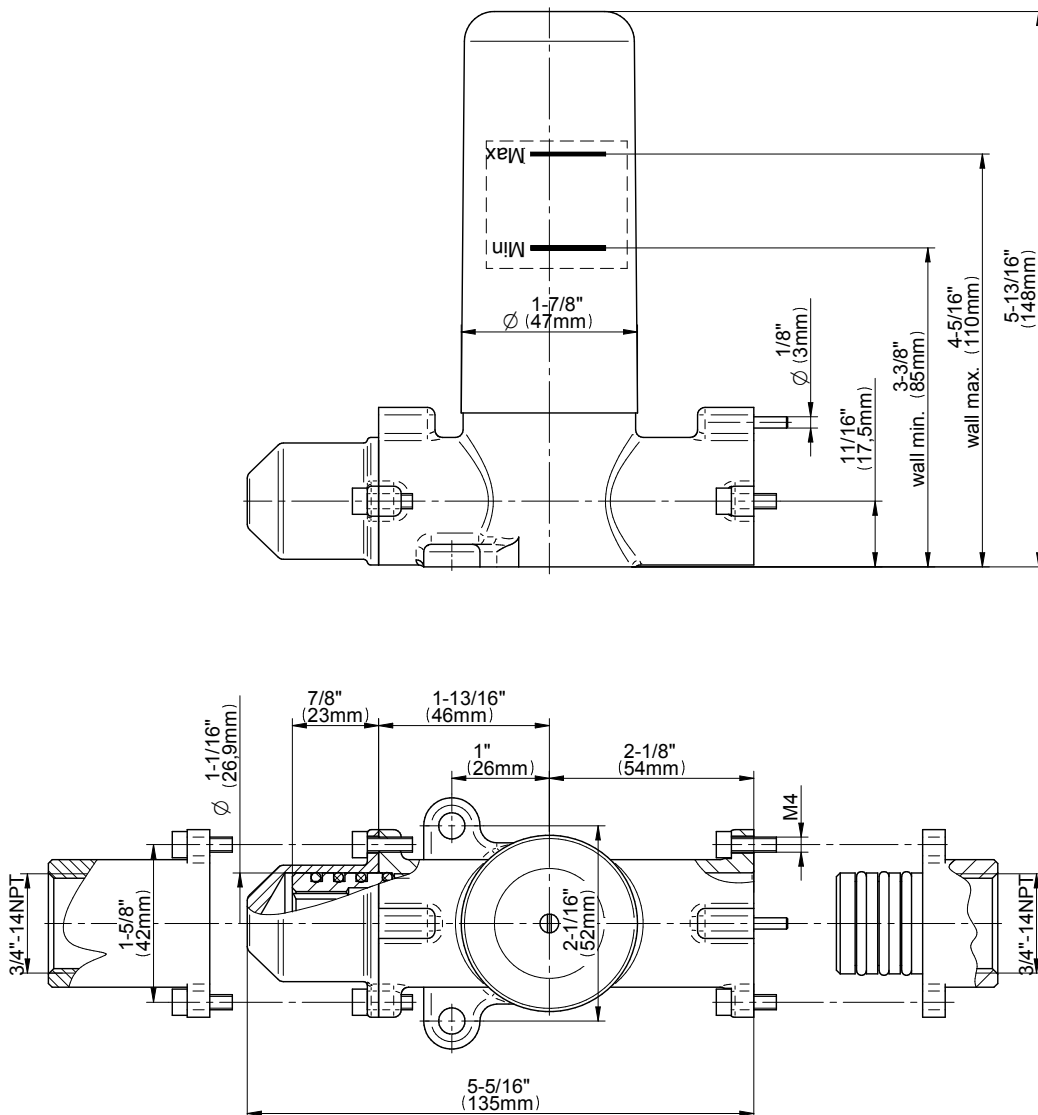
Code Compliance

- CALGreen

Warranty

- Limited lifetime warranty

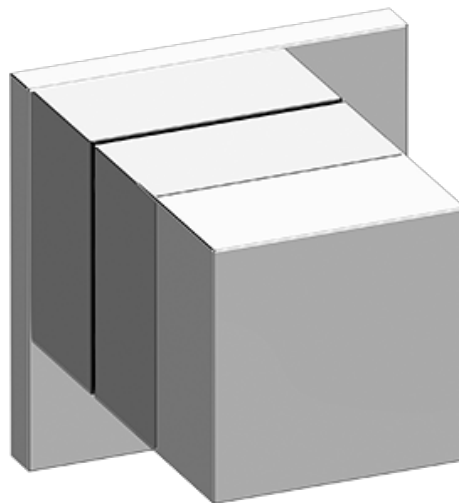
For complete warranty information go to www.graff-faucets.com/en/info/faqs



The measurements shown are for reference only. Products and specifications shown are subject to change without notice. Revised 3/2016.

www.graff-faucets.com | phone: 800-954-4723

SHOWER
M-Series Square Stop/Volume
Control Trim Plate and Handle
G-8098-SH1-T



Information

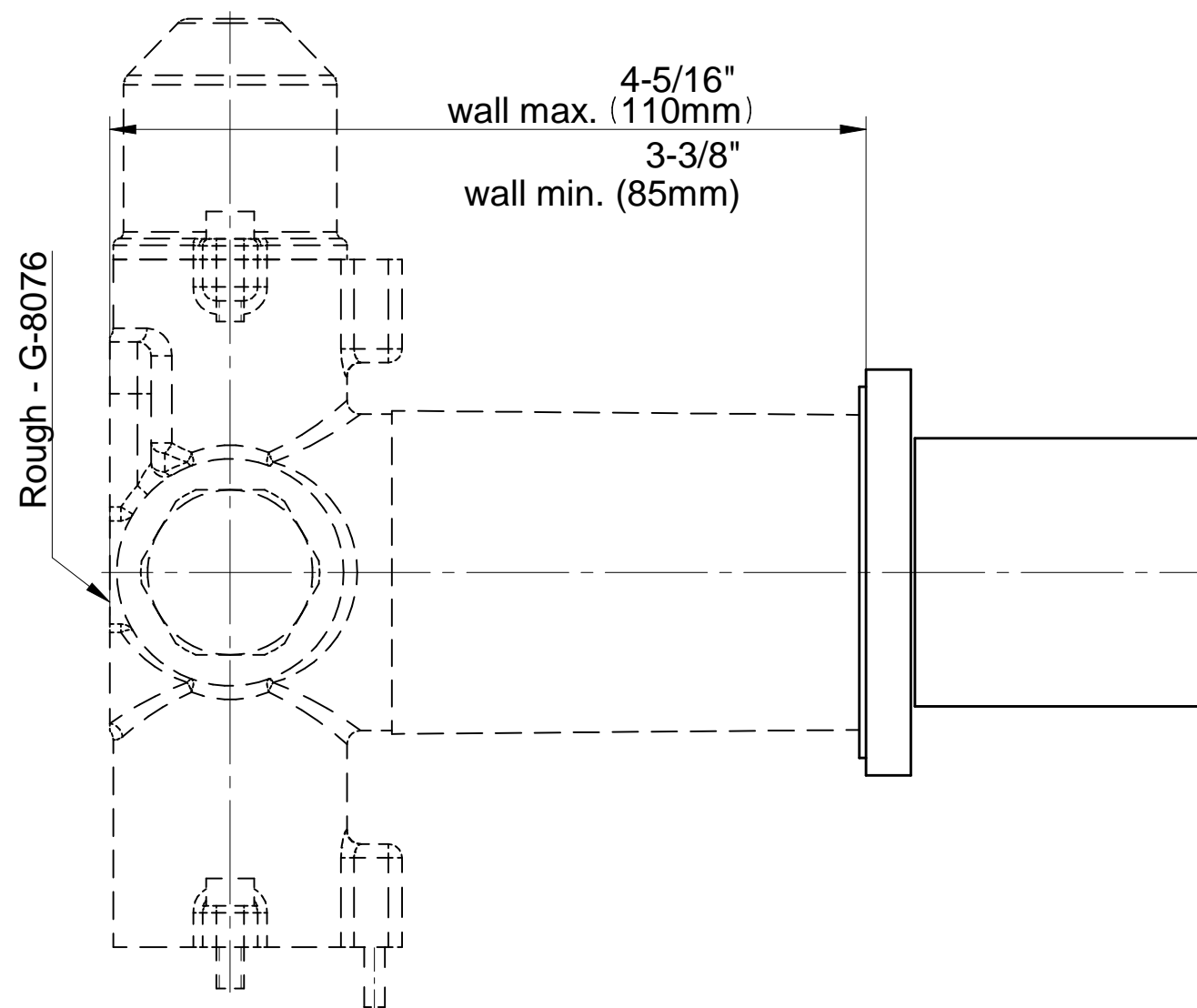
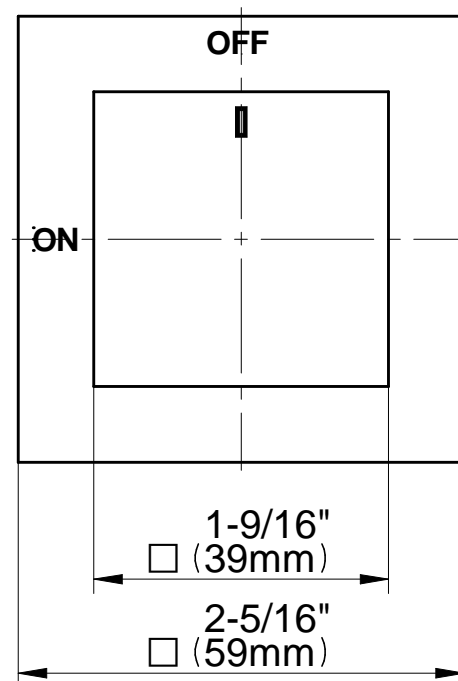
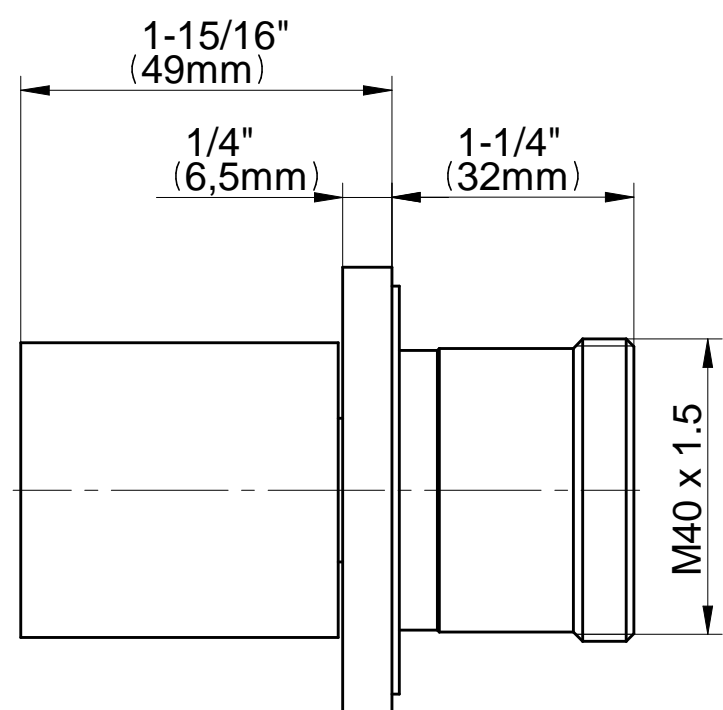
- Single metal handle
- Decorative trim plate
- Use with G-8076 Stop/Volume Control rough valve with Pass-Through or G-8077 Stop/Volume Control rough valve
- To complete package, you must order rough valve

Finishes



G-8098-SH1-T

Stop/Volume Control Valve - Trim - M-Series



GRAFF[®]
CUTTING EDGE DESIGN

SHOWER
8" Square Brass Showerhead
G-8438

GRAFF®



Information

- 1/4" thick
- 144 no-clog, easy-clean rubber spray nozzles
- Recommended use with ceiling shower arm
- Recommended for use at no more than 10 degrees tilt
- Showerhead flow rate ≤ 1.8 max gpm
- CALGreen

Finishes



G-8438

Aqua-Sense Collection
Contemporary 8" Square Showerhead



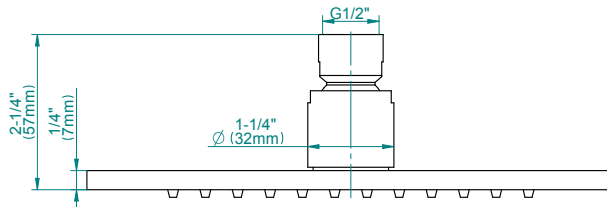
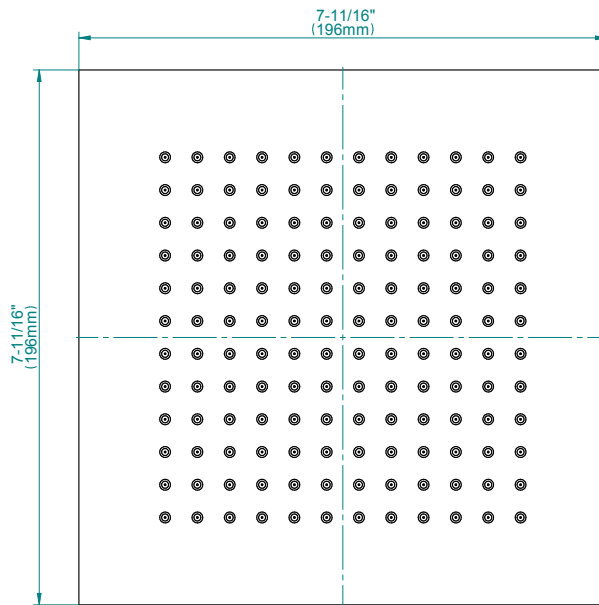
Product Features

- 1/4" thick
- 144 no-clog, easy-clean rubber spray nozzles
- Showerhead flow rate ≤ 1.8 max gpm

Available Finishes

- Polished Chrome
G-8438-PC
- Brushed Nickel
G-8438-PN
- Polished Nickel
G-8438-BNi
- Unfinished Brass*
G-8438-UB*
- Steinox
G-8438-SN
- Olive Brass*
G-8438-OB*
- Architectural Black with Chrome Accents*
G-8438-PC/BK*
- Gold*
G-8438-AU*
- Brushed Gold*
G-8438-BAU

* Special order finish- call for availability



Code Compliance

- CALGreen

Warranty

- Limited lifetime warranty

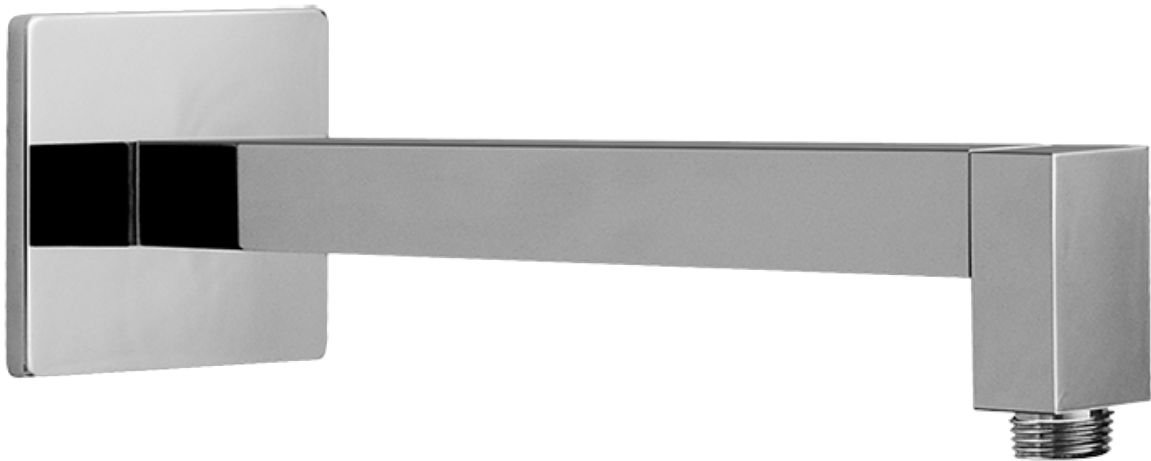
For complete warranty information go to www.graff-designs.com/en-nam/warranty

The measurements shown are for reference only. Products and specifications shown are subject to change without notice. Revised 12/2017

www.graff-designs.com | phone: 800-954-4723

SHOWER
Contemporary 12" Shower Arm
G-8530

GRAFF[®]



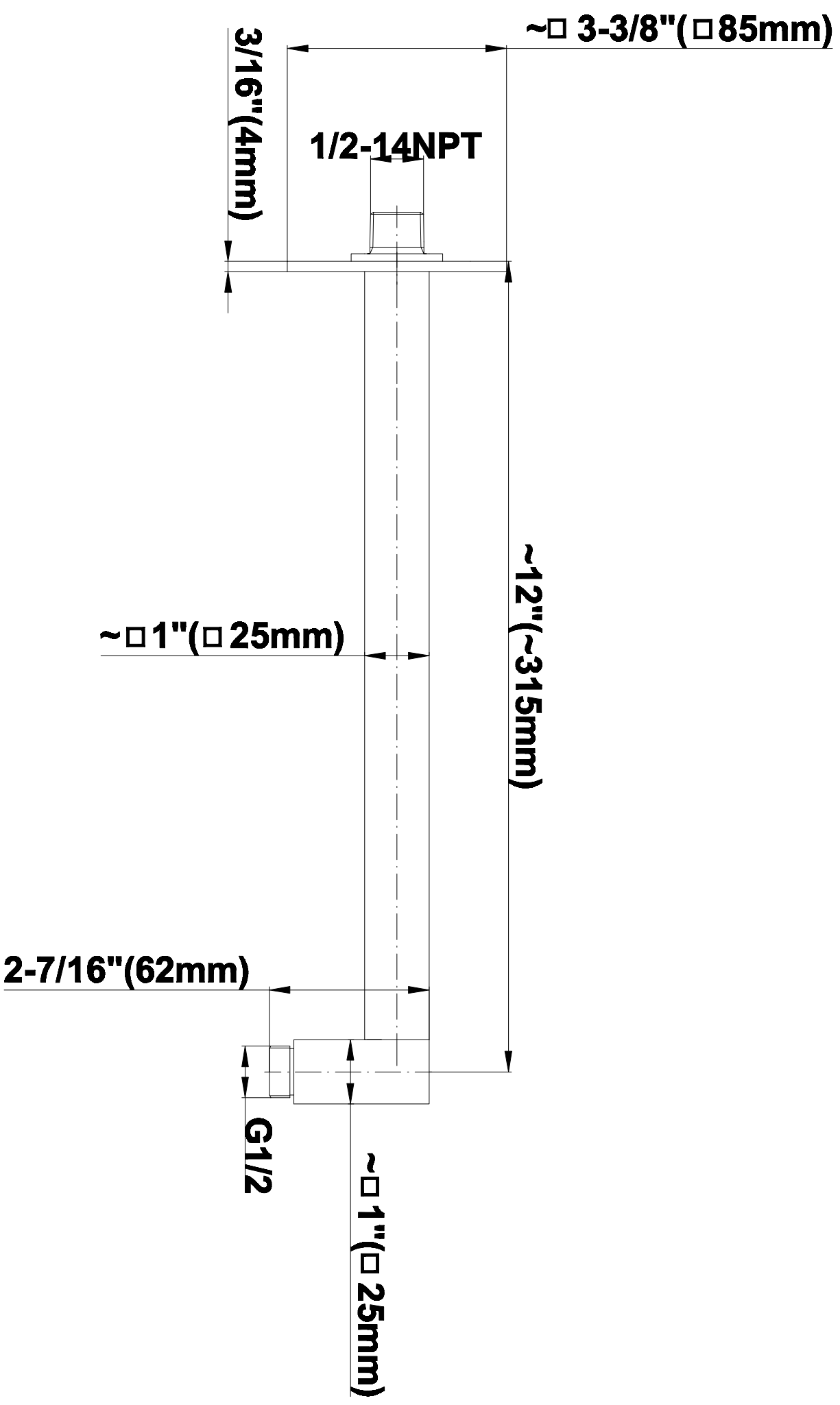
Information

- Includes arm and square flange
- 1/2" NPT male thread inlet
- For use with all showerheads (especially G-8438)

Finishes

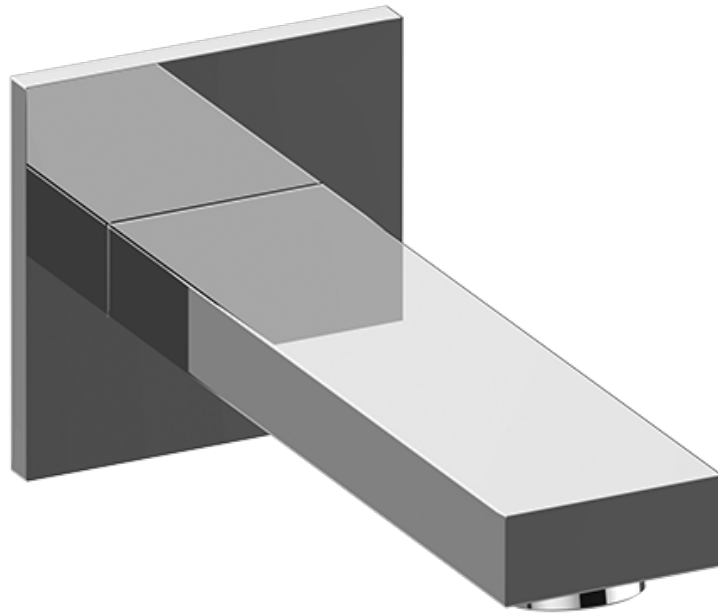


G-8530



SHOWER
8" Contemporary Tub Spout
G-8575

GRAFF®



Information

- Includes spout ring
- 1/2" NPT male thread inlet
- Tub spout flow rate ~ 8.7 gpm @60 psi

Finishes

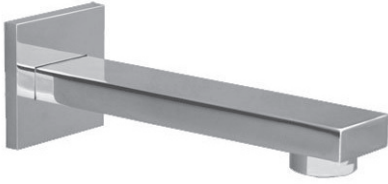


G-8575

Sade Collection

8" Contemporary Tub Spout

GRAFF[®]
CUTTING EDGE DESIGN



Product Features

- Includes spout ring
- 1/2" NPT male thread inlet

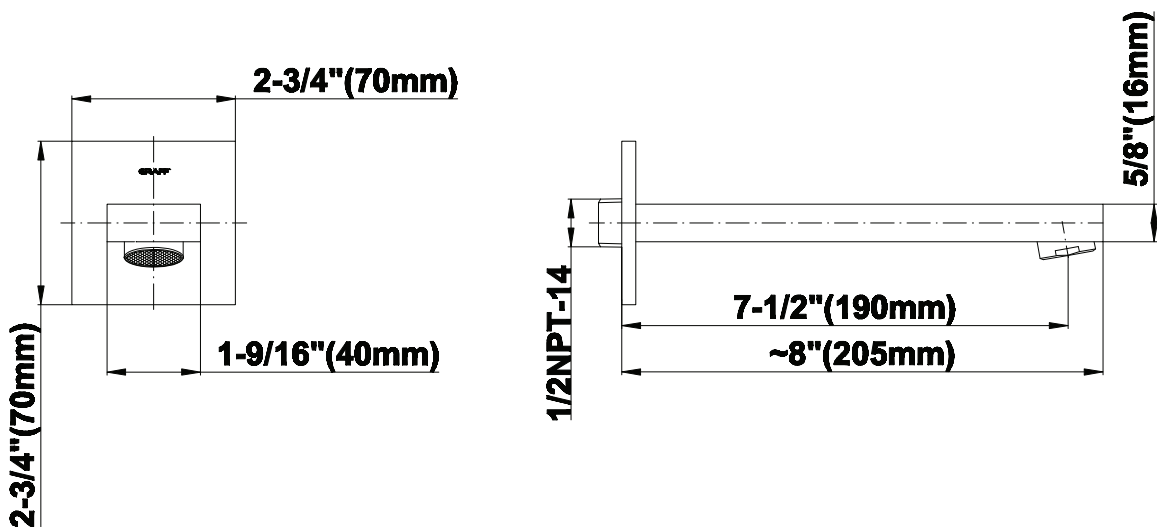
Available Finishes

- Polished Chrome
G-8575-PC
- Polished Nickel
G-8575-PN
- Steelnox® (Satin Nickel)
G-8575-SN
- Olive Bronze™
G-8575-OB
- Architectural Black with
Chrome Accents
G-8575-PC/BK

Warranty

- Limited lifetime warranty

For complete warranty information go to
www.graff-faucets.com/en-nam/warranty



The measurements shown are for reference only. Products and specifications shown are subject to change without notice. Revised 08/2015.

www.graff-faucets.com | phone: 800-954-4723

SHOWER
Traditional Handshower
G-8604

GRAFF®



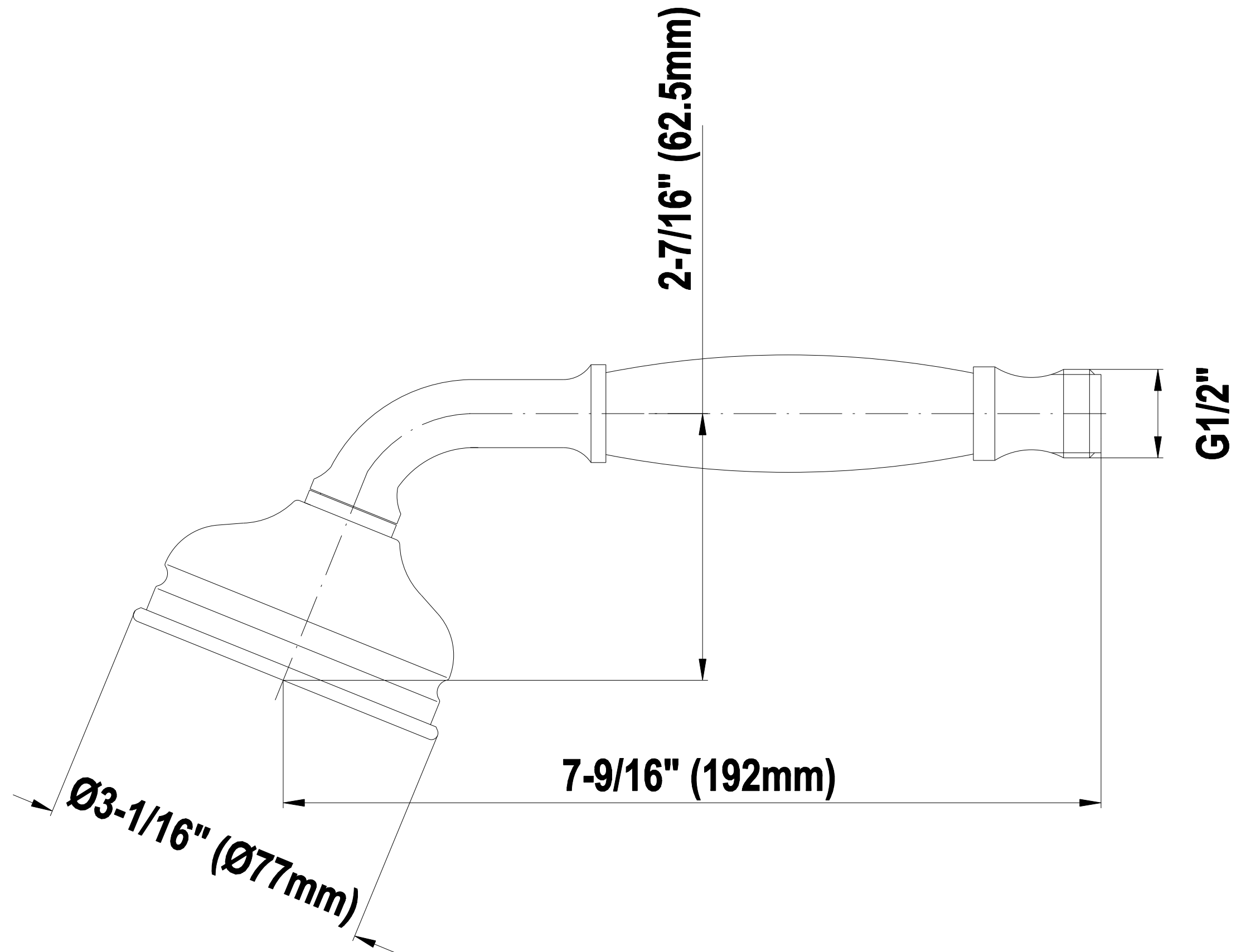
Information

- Solid brass construction
- Smooth, all-metal handle
- Shower hose not included
- Handshower flow rate ≤ 1.5 max gpm
- CALGreen

Finishes



Traditional Handshower G-8604



SHOWER
Contemporary Square Wall-
Mounted Slide Bar
G-8631

GRAFF®



Information

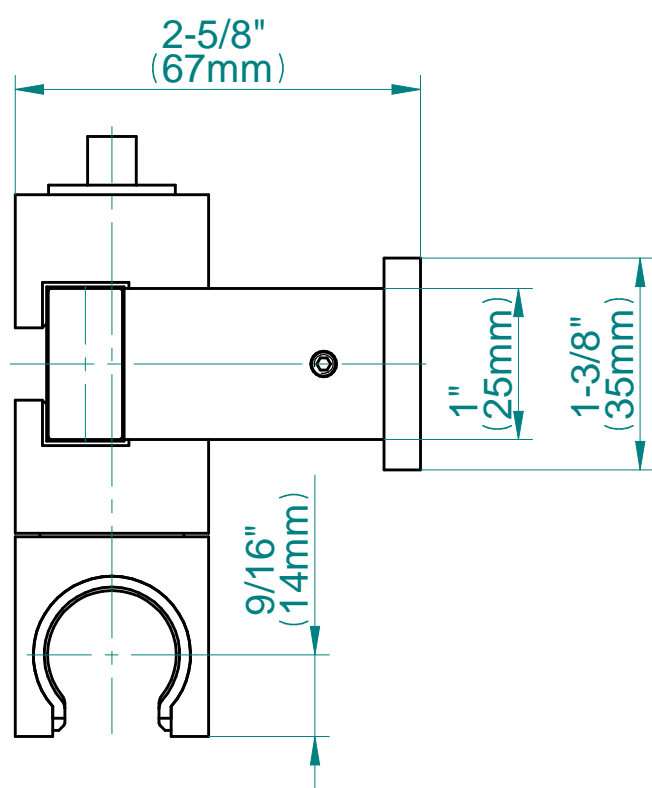
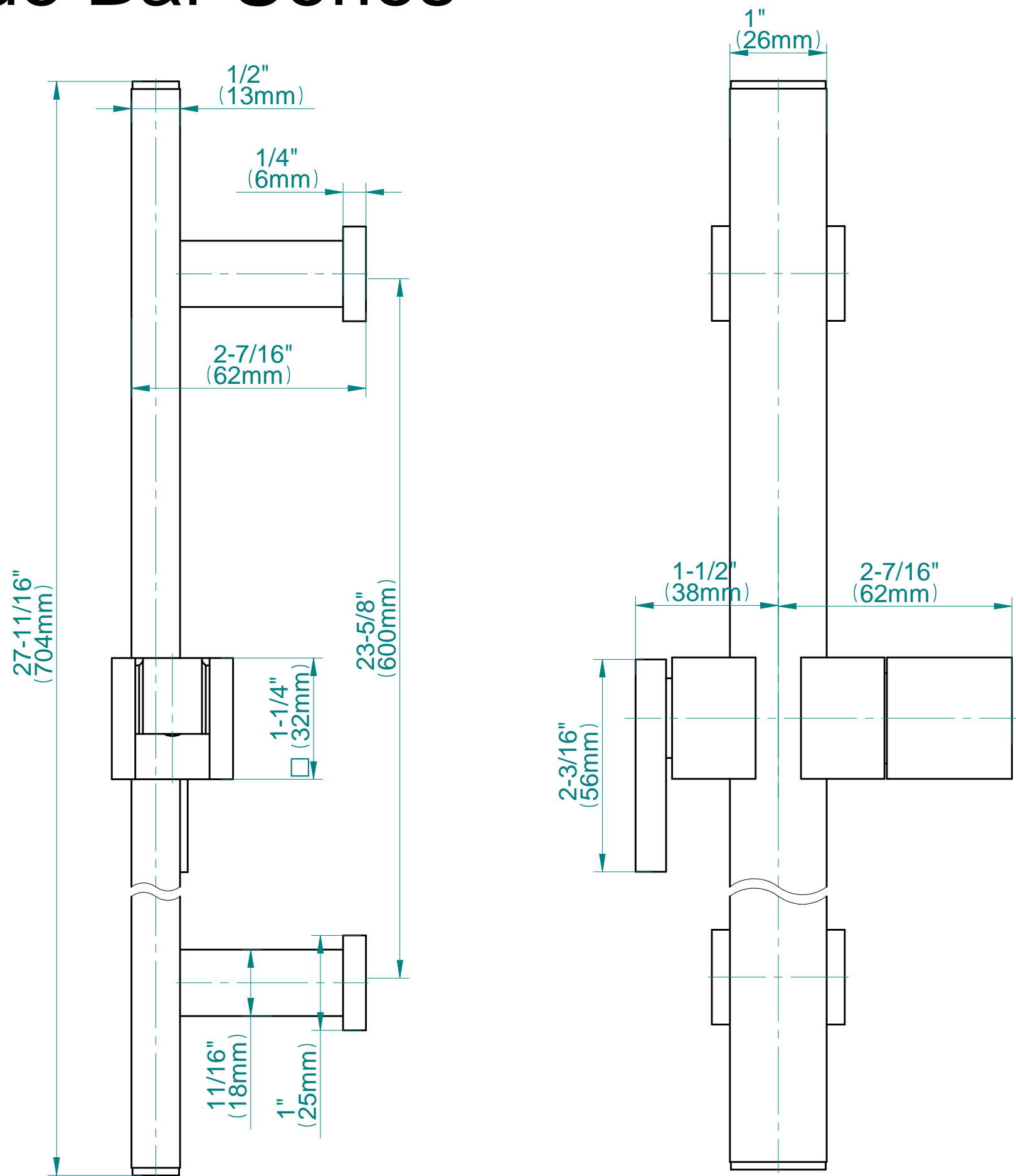
- 27 11/16" tall wall-mounted slide bar
- Adjustable bracket fits all hoses with conical nut

Finishes



G-8631

Slide Bar Series



valid since 2014

SHOWER
Contemporary Square Wall Supply
Elbow
G-8633

GRAFF®



Information

- 1/2" NPT female thread inlet

Finishes



G-8633

Contemporary Square Wall Supply Elbow



Product Features

- 1/2" NPT female thread inlet

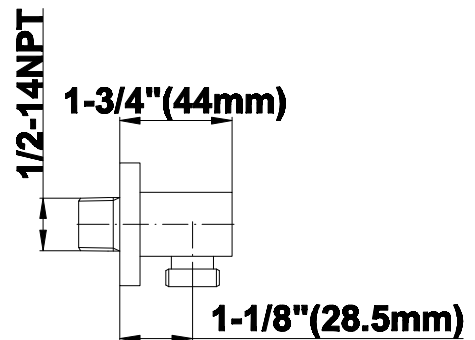
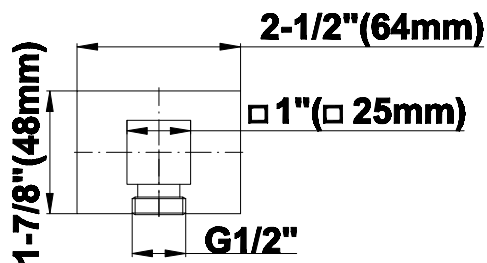
Available Finishes

- Polished Chrome
G-8633-PC
- Steelnox[®]
G-8633-SN
- Architectural Black w/Chrome
Accents
G-8633-PC/BK

Warranty

- Limited lifetime warranty

For complete warranty information go to
<http://www.graff-faucets.com/en/info/faqs>



SHOWER
Contemporary Square
Handshower
G-8644

GRAFF®



Information

- Solid brass construction
- Smooth, all-metal handle
- Shower hose not included
- Handshower flow rate ≤ 1.5 max gpm
- CALGreen

Finishes



G-8644

