

G-6710-LM46B

Terra Collection
Widespread Lavatory Faucet

GRAFF[®]
CUTTING EDGE DESIGN



Product Features

- Installs on 8" Centers
- Aerated flow rate <1.5 max gpm, CA flow rate <1.2 max gpm
- 1-3/16" hole cutout (x3)
- Includes pop-up drain assembly w/lift rod and overflow

Available Finishes

- Polished Chrome
G-6710-LM46B-PC
- Brushed Nickel
G-6710-LM46B-BNi
- Polished Nickel
G-6710-LM46B-PN
- Olive Bronze™
G-6710-LM46B-OB*

* Special order finish- call for availability

Optional Accessories

- Matching decorative trap
G-9970

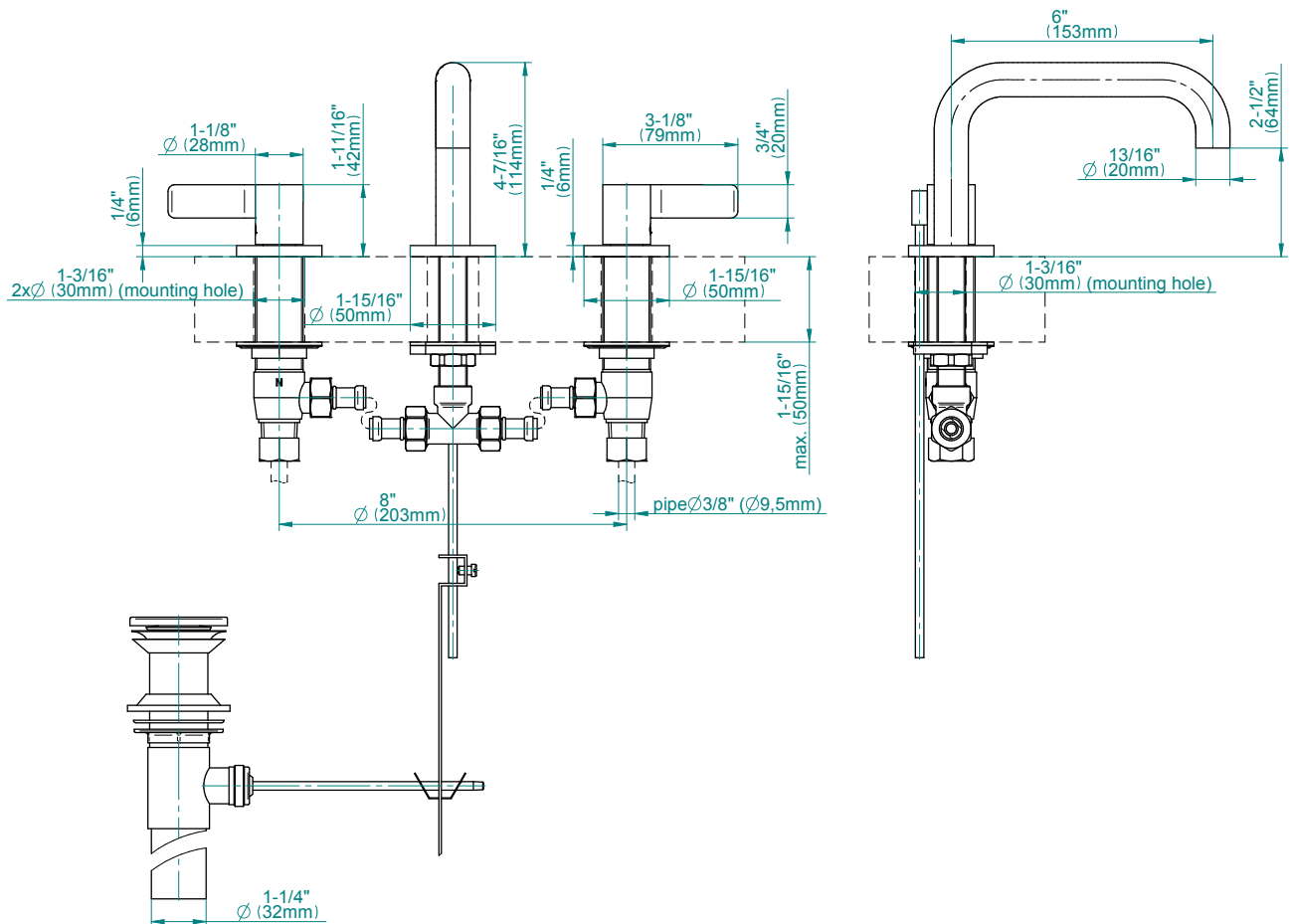
Code Compliance

- ADA
- CALGreen and CEC

Warranty

- Limited lifetime warranty

For complete warranty information go to www.graff-faucets.com/en-nam/warranty



The measurements shown are for reference only. Products and specifications shown are subject to change without notice. Revised 02/2017

www.graff-faucets.com | phone: 800-954-4723