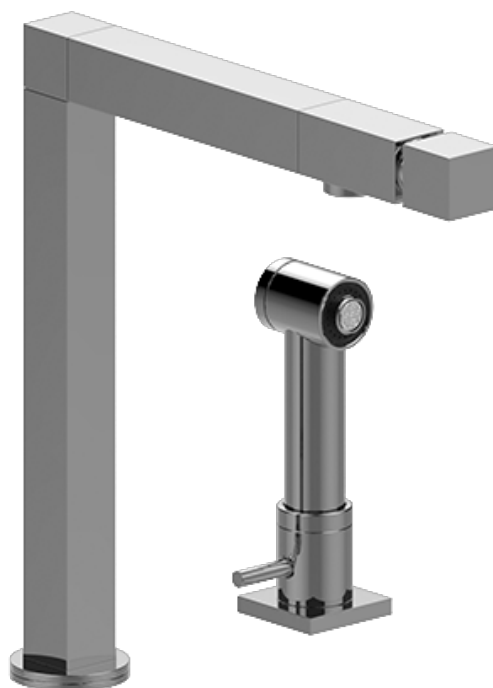


KITCHEN
Manhattan Kitchen Faucet with
Independent Side Spray
G-4866

GRAFF®



Information

- Single-hole installation
- Swivel spout
- Includes matching independent side spray with progressive valve and dual-function spray/stream pull-out sprayhead
- Aerated flow rate ≤ 1.8 max gpm, side spray flow rate ≤ 1.8 max gpm
- Available Spring 2019 - call for earlier availability
- CALGreen

Finishes

