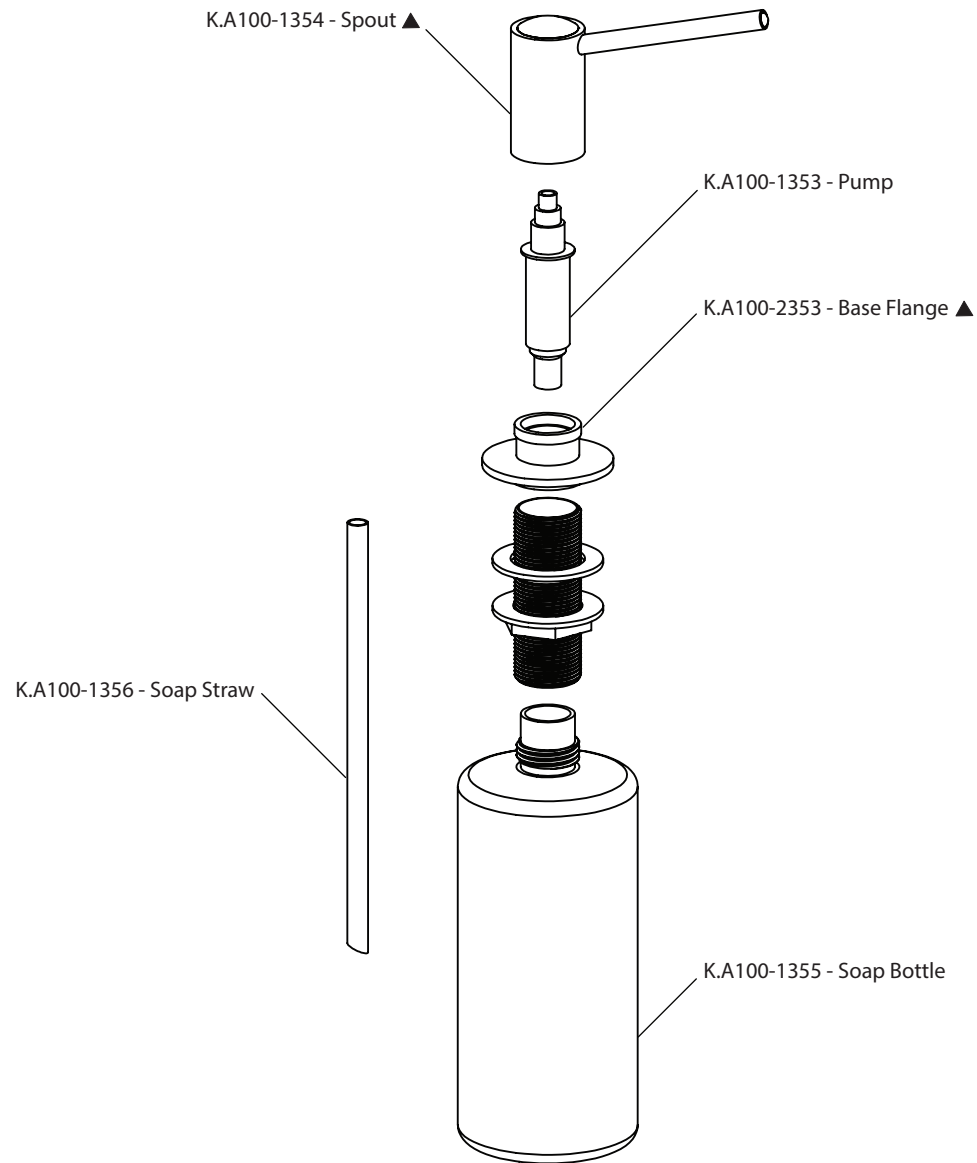


# Product Parts Breakdown

▲ Specify Finish



**isenberg**  
innovation+design

K.A100

Ver 2.53