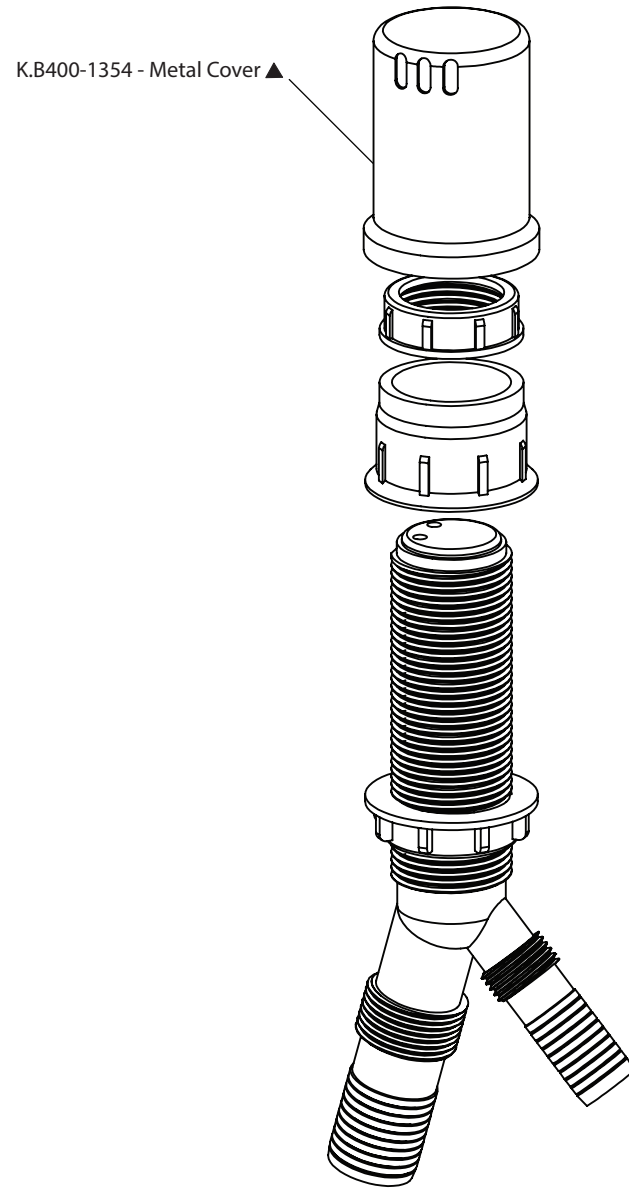


Product Parts Breakdown

▲ Specify Finish



isenberg
innovation+design

K.B400

Ver 2.53