

PBV1005A | Pressure Balance Valve With Integrated 2-Way Diverter Page 1 of 2

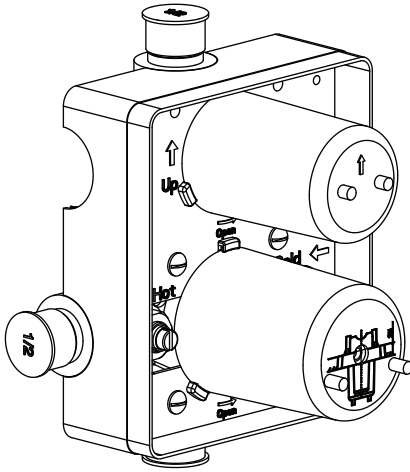


SPECIFICATIONS:

- Lift Handle to control volume. Turn left for hot, right for cold.
- Knob controls 2-way water diversion
- Pressure Balance Valve Flow Rate - 5.5 GPM @ 60 PSI
- Extension Available - PBV.2100E**

STANDARDS:

- ASME A112.18.1 / CSA B125.1



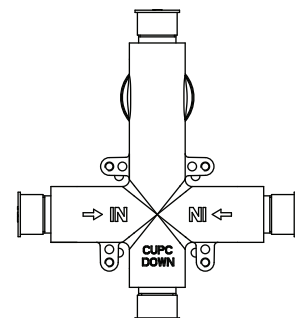
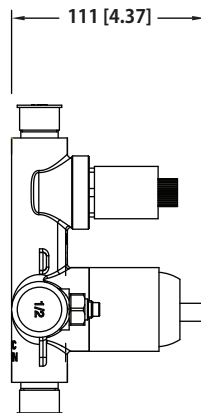
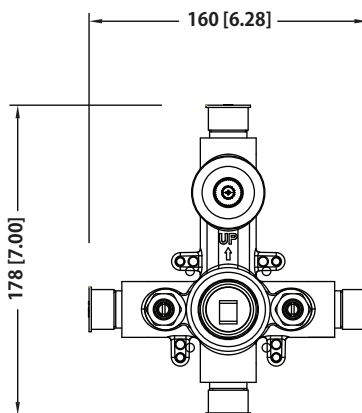
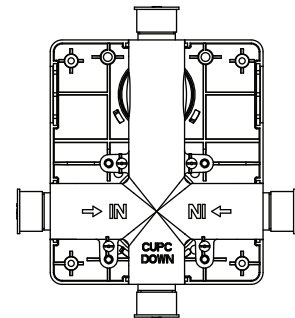
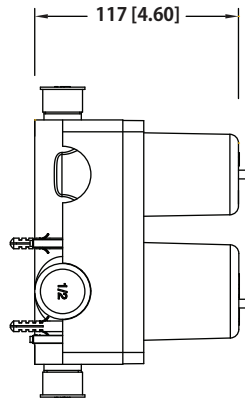
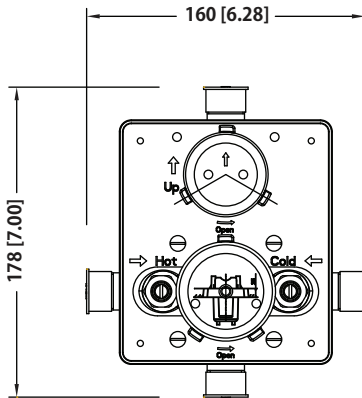
Legislation Compliance



ZeroDrip Technology



Technical Diagram



PBV1005A | Pressure Balance Valve With Integrated 2-Way Diverter Page 2 of 2



Water Diversion Diagram

