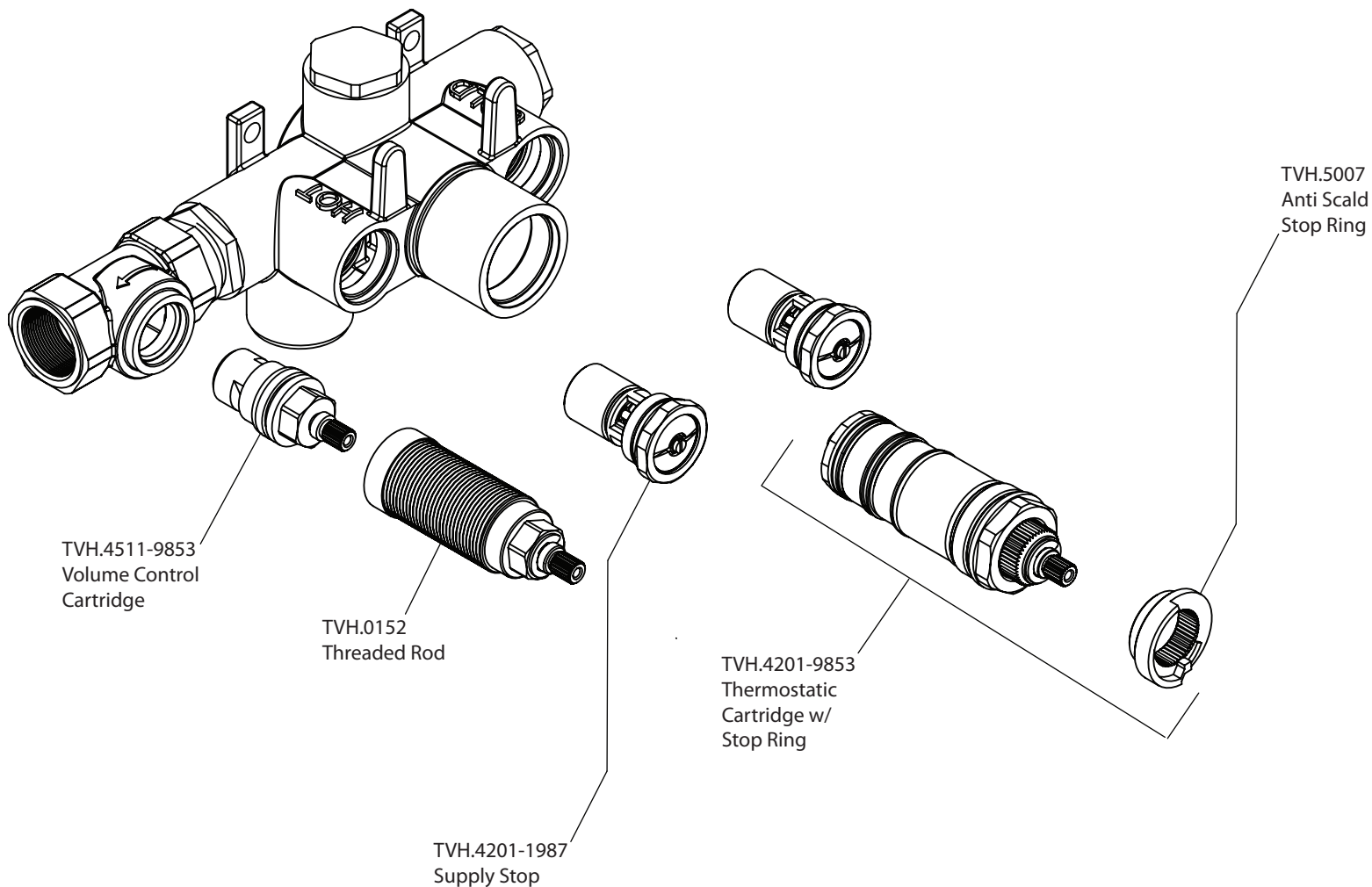


# Product Parts Breakdown



**isenberg**  
innovation+design

TVH.2693

Ver 2.53