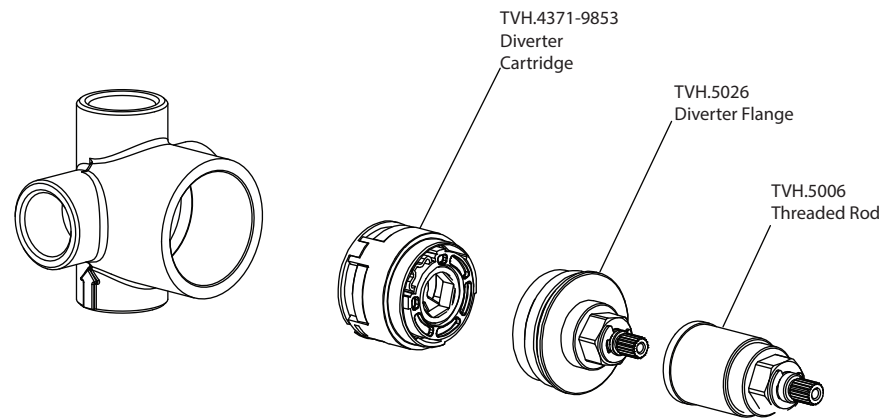


Product Parts Breakdown



isenberg
innovation+design

TVH.4371

Ver 2.53