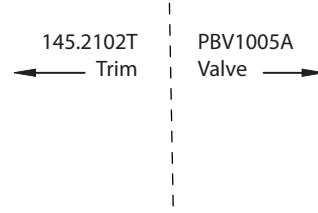


Product Parts Breakdown

▲ Specify Finish



145.PBV.DIV ▲
Diverter Handle
w/ hex

TRM.PBV.2102 ▲
Trim Plate

6032029-383 ▲
Diverter Cover

160.4511-1212
Pointed Hex Nut

8002048-045 ▲
Cartridge Cover

8002048-072 ▲
Cartridge Bezel

145.PBV.TMP ▲
Temperature handle
w/Hex

8002048-122
Threaded Connector

1096011-062
Diverter Retaining Nut

PBV1005A-1991 - Non-Shared
PBV1005A-1991-G1 - Shared
Diverter Cartridge

PBV1005AS-1987
Integral Stop Kit

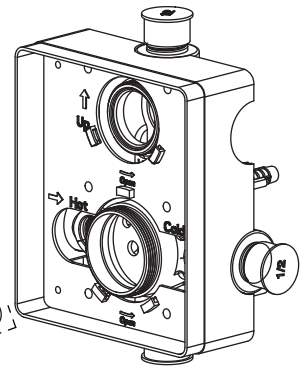
8002048-044
Cartridge Retainer

PBV1005A-9852
Retaining Nut

PBV1005A-9853
Pressure Balance
Cartridge (Blue)

OR

PBV1005A-9400
Pressure Balance
Cartridge (Yellow)



isenberg
innovation+design

145.2102

Ver 2.57