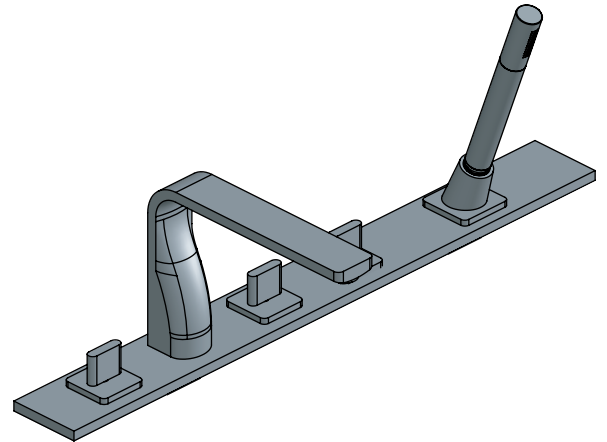


## Installation Manual For 260.2420

### 5-Hole Deck Mount Roman Tub Filler With Hand Shower



#### NOTICE TO HOMEOWNER

- We recommend that this product is installed by a qualified professional plumber.
- Please check this product immediately to ensure that it has not been damaged and is complete. Before installation, please make sure this product is the correct model and you have all the parts required for installation and use.
- Please flush the water system to ensure that no metal swarf, solder, and other impurities can enter the product.
- Turn off water supply before commencing work.
- Please read these instructions carefully and retain for future reference.



UNDER DECK ACCESS  
PANEL IS REQUIRED FOR  
MAINTENANCE AND  
REPAIR OF DIVERTER  
MECHANISM AND  
CARTRIDGES

#### BEFORE YOU BEGIN

- You must observe all local plumbing laws and codes.
- Do not instal valve if it does not meet local plumbing codes.
- Shut off the main water supply.

## Installation Manual For 260.2420

### 5-Hole Deck Mount Roman Tub filler With Hand Shower

#### **TABLE OF CONTENTS**

OPERATING SPECIFICATIONS . . . . .	3
INSTALLING THE HOT & COLD HANDLES . . . . .	4
INSTALLING THE HANDLE & DIVERTER . . . . .	6
INSTALLING THE TUB SPOUT . . . . .	8
INSTALLING THE HAND SHOWER . . . . .	9
INSTALLING THE HOSES . . . . .	10

## OPERATING SPECIFICATIONS

### WATER TEMPERATURE



This product is to be used with water at a temperature range of 40°F - 120°F ONLY!

### WATER PRESSURE

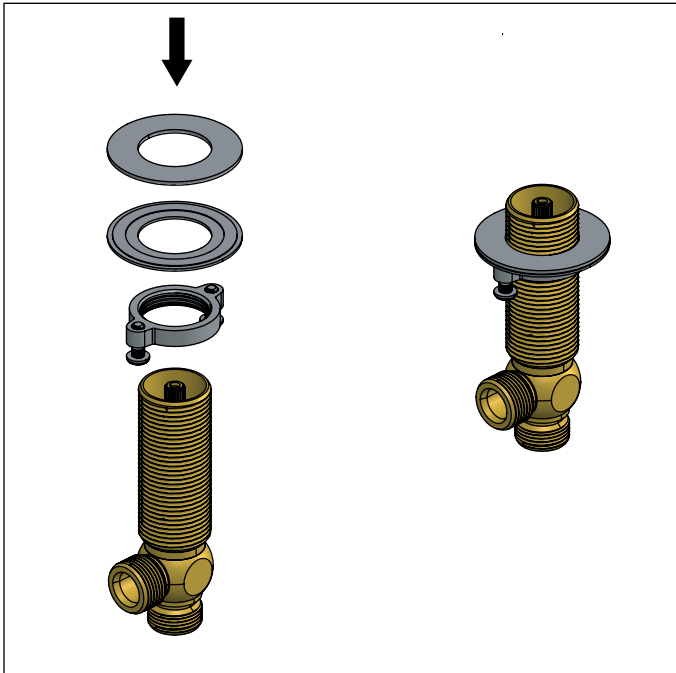


This product is to be used with a water pressure range of 15 PSI to 80 PSI ONLY

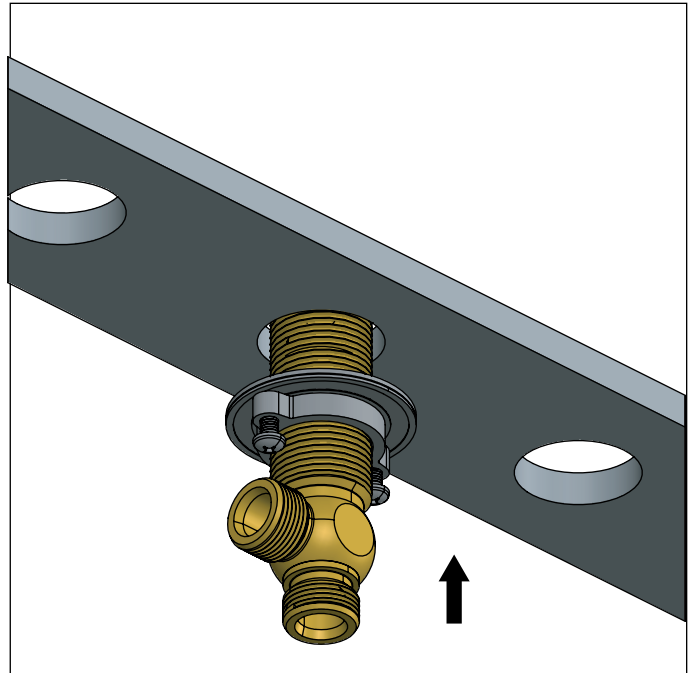
If water pressure is greater than 80 PSI, install a pressure reducer valve (PRV)

This valve meets or exceeds ANSI A112.18.1 and ASSE 1016

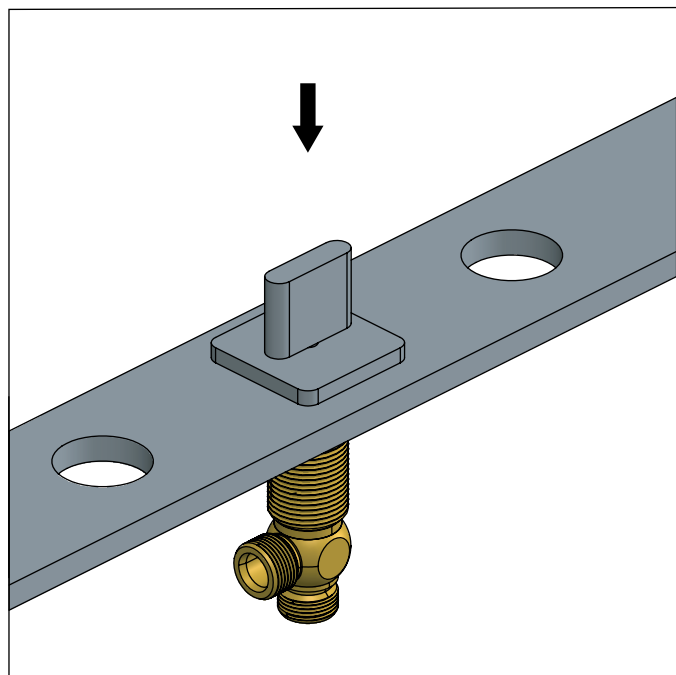
## INSTALLING THE HOT & COLD HANDLES



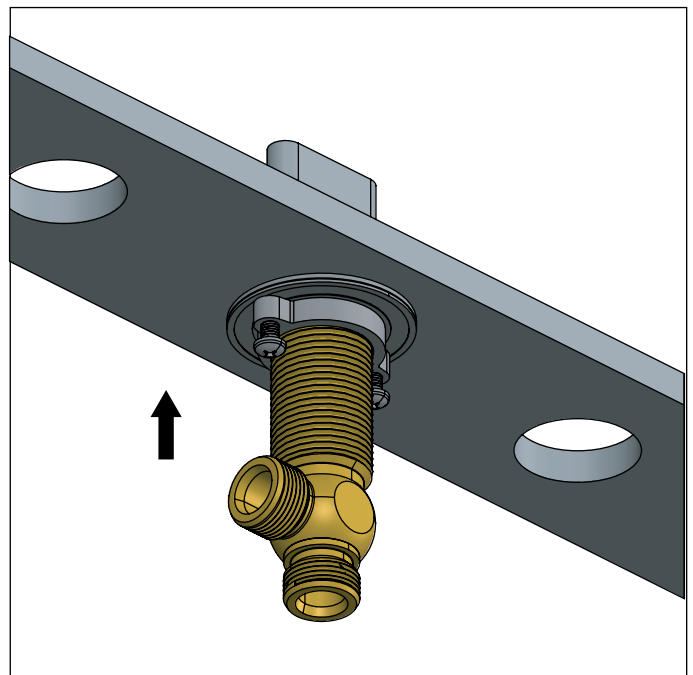
Install nut and washer onto valve. Then insert handle extension and tighten screw



Install valve into 1-3/8" hole from below the deck



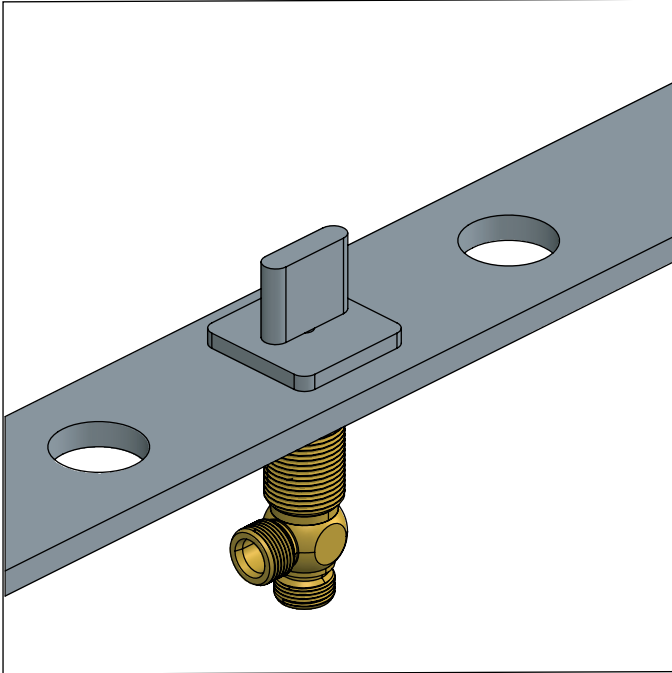
Install body from top of deck and twist to tighten



Tighten nut and washer from bottom of deck

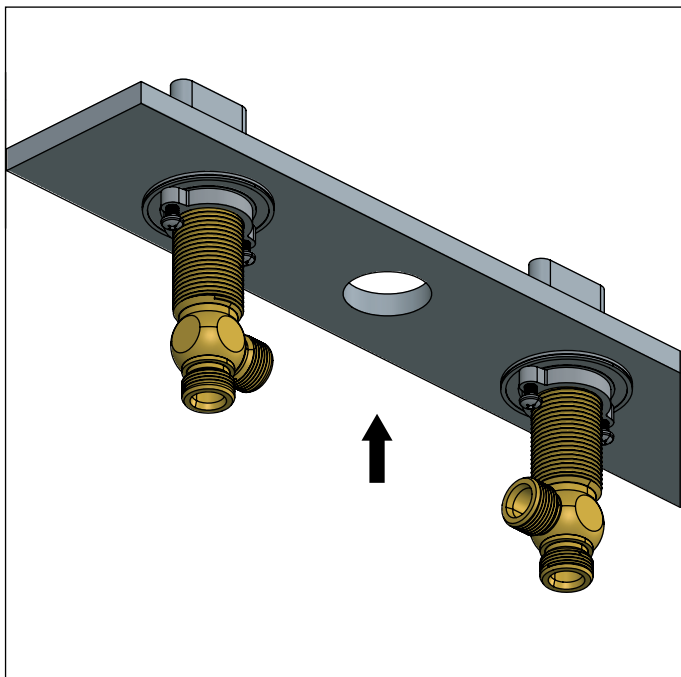


## INSTALLING THE HOT & COLD HANDLES

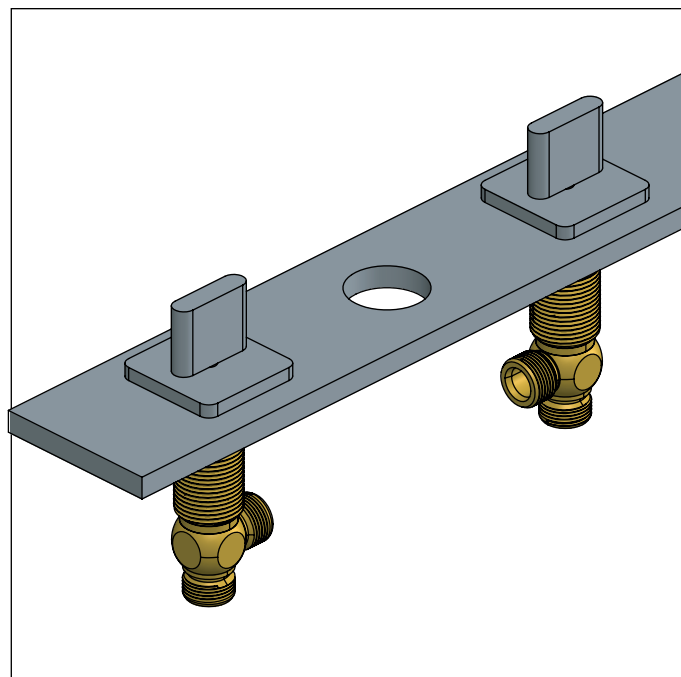


Twist to verify smooth operation

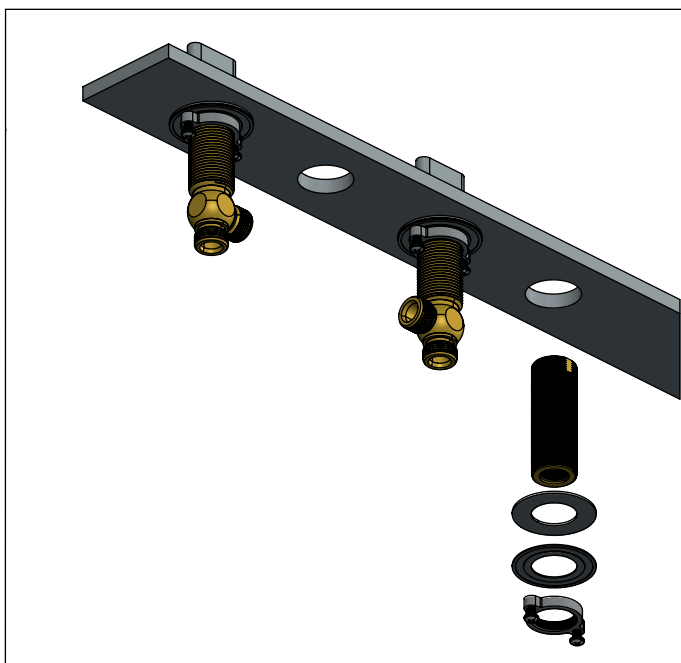
## INSTALLING THE HANDLES & DIVERTER



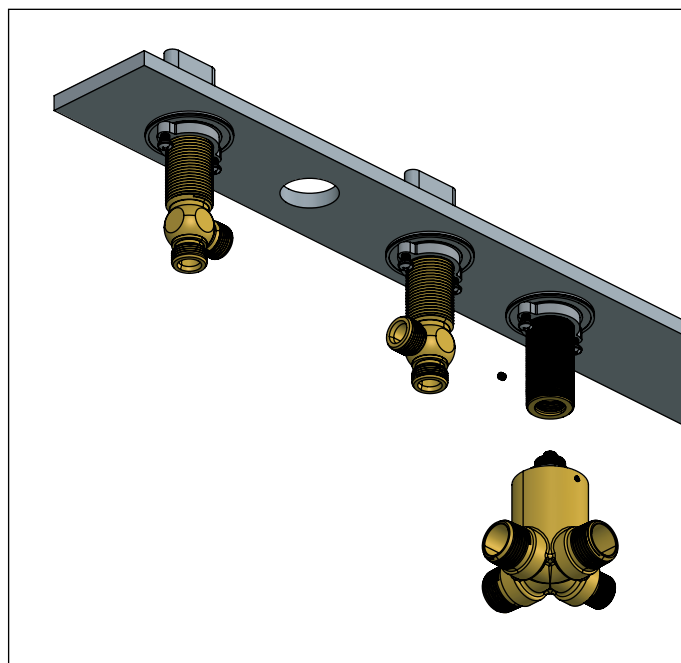
Tighten nut and washer from bottom of deck



Twist to verify smooth operation

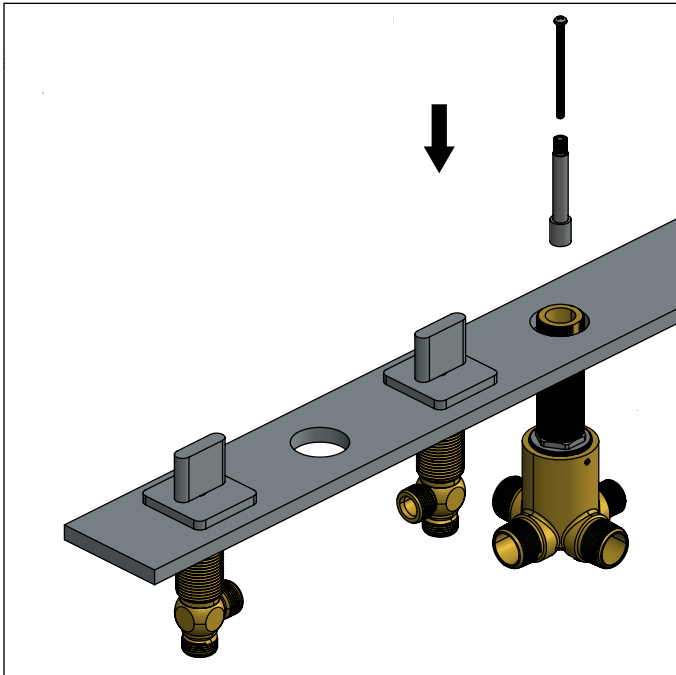


Insert diverter nut and attachment from bottom

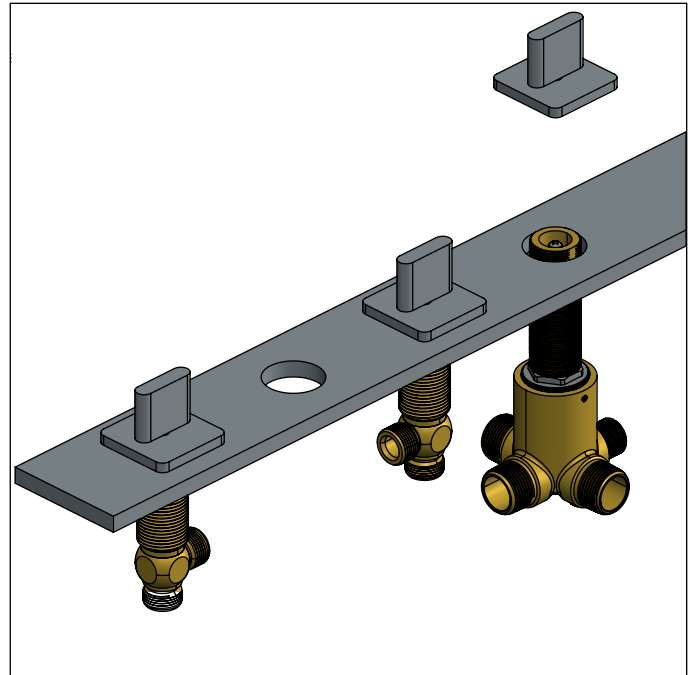


Install the diverter from bottom

## INSTALLING THE HANDLES & DIVERTER

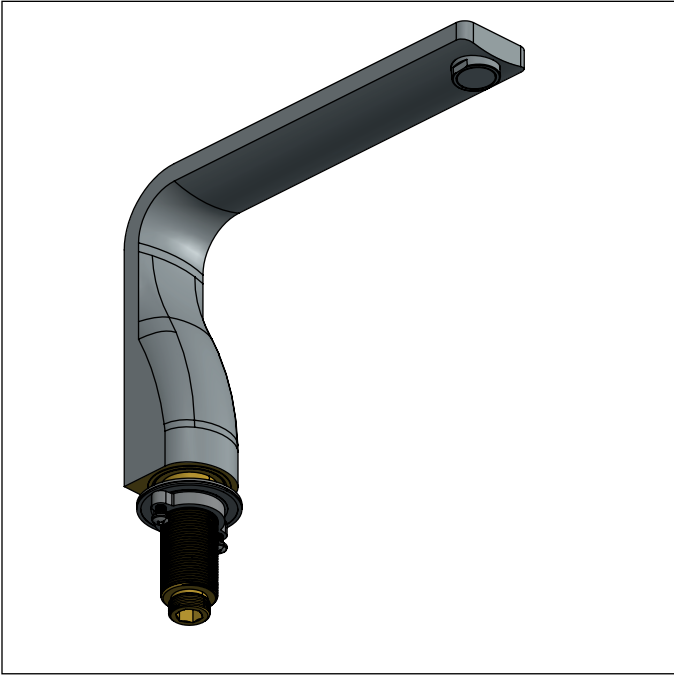


Install the screw & extension

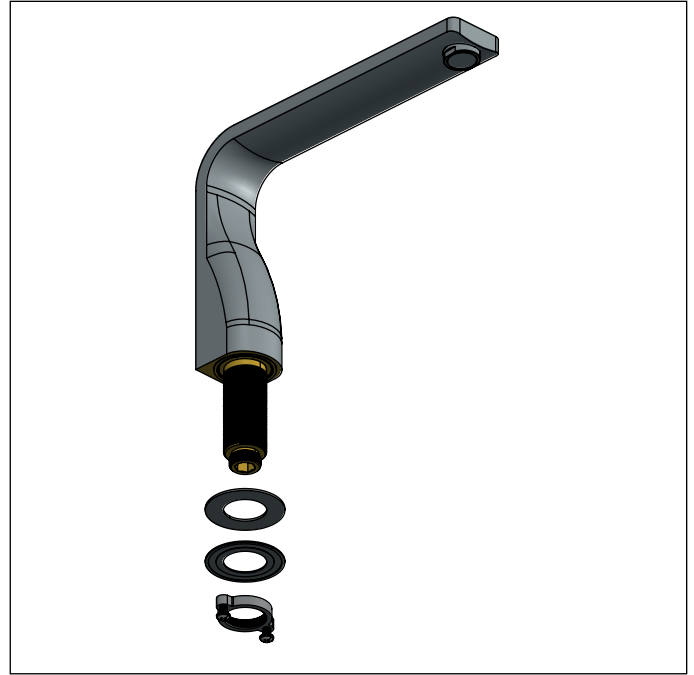


Install handle from top of deck and tighten set-screw

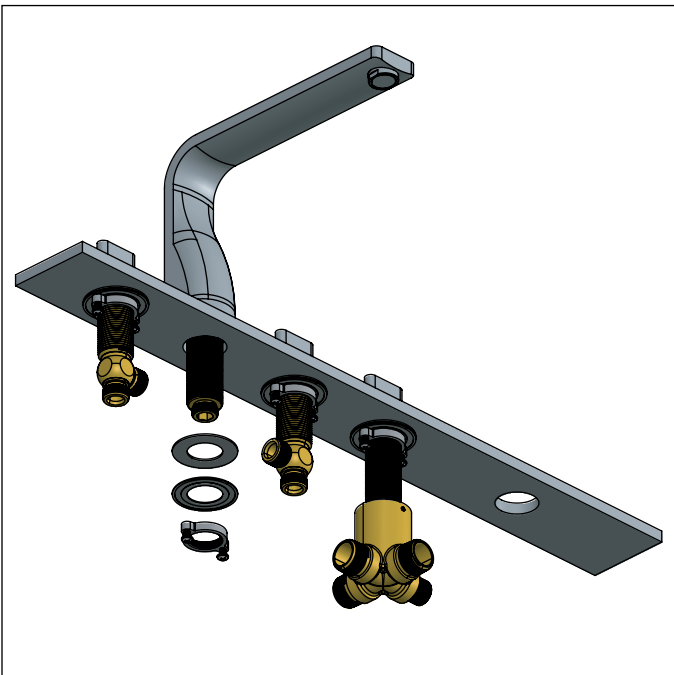
## INSTALLING THE TUB SPOUT



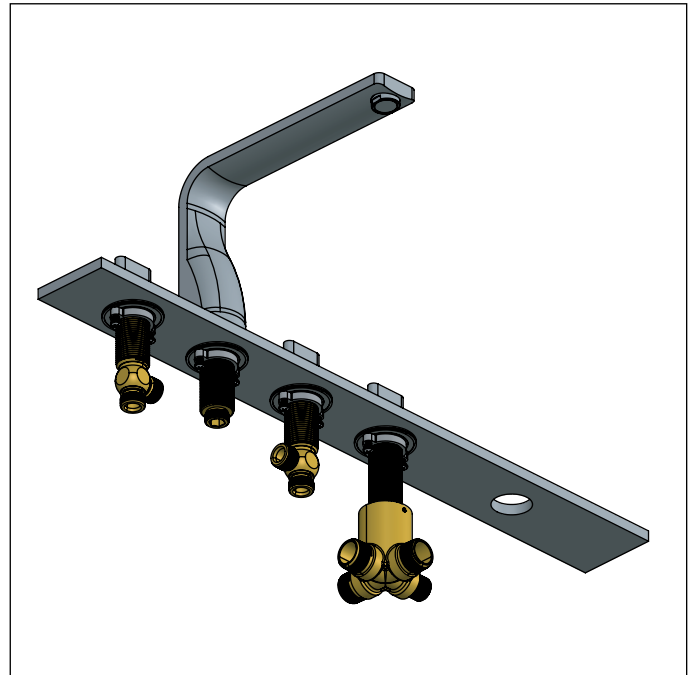
The Spout is seen above



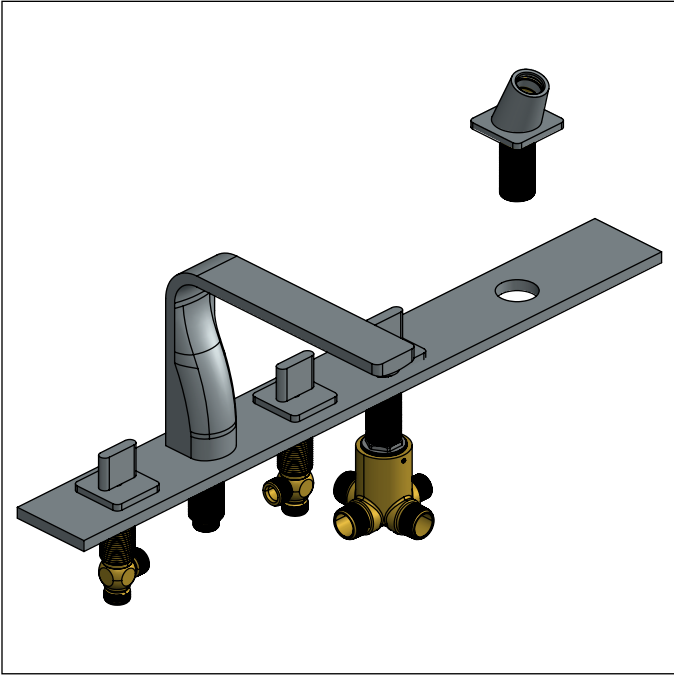
Remove components from cartridge



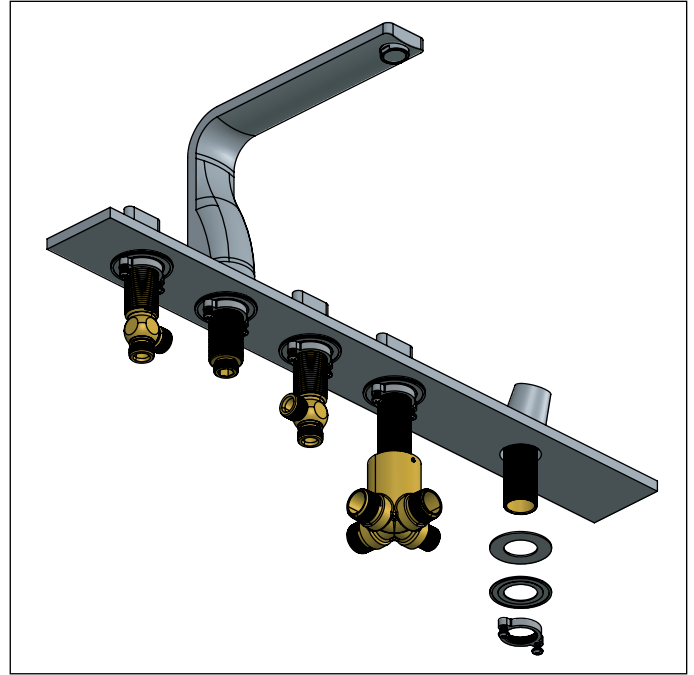
Insert spout into deck hole, then insert washers and tighten retaining nut



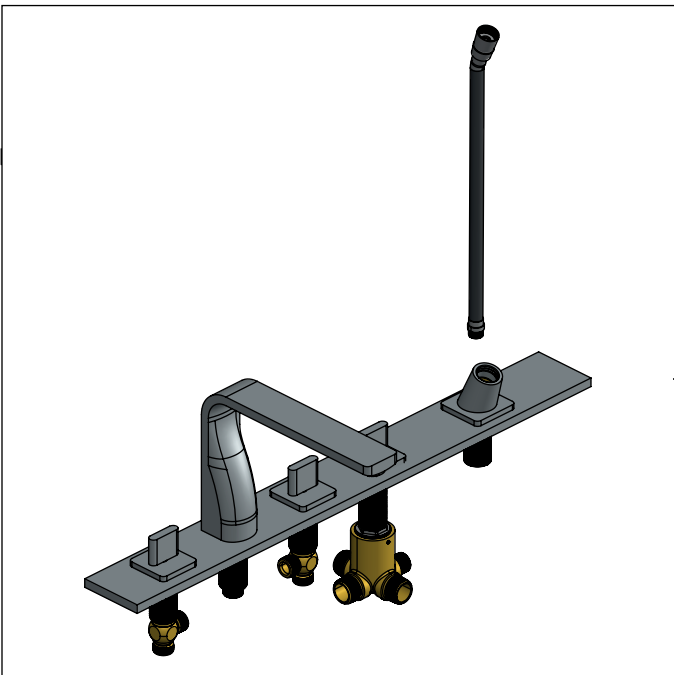
## INSTALLING THE HAND SHOWER



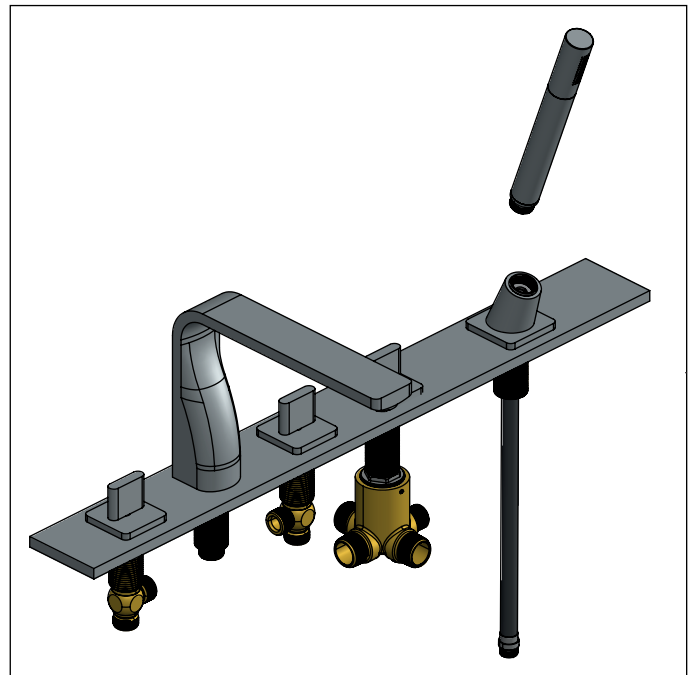
Drop hand shower deck holder into deck hole



Insert & Tighten nut and washers from bottom of deck

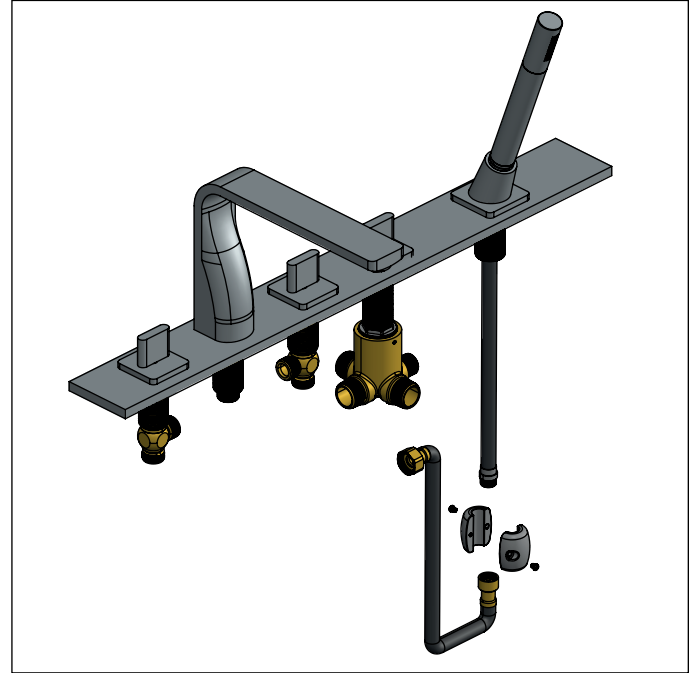
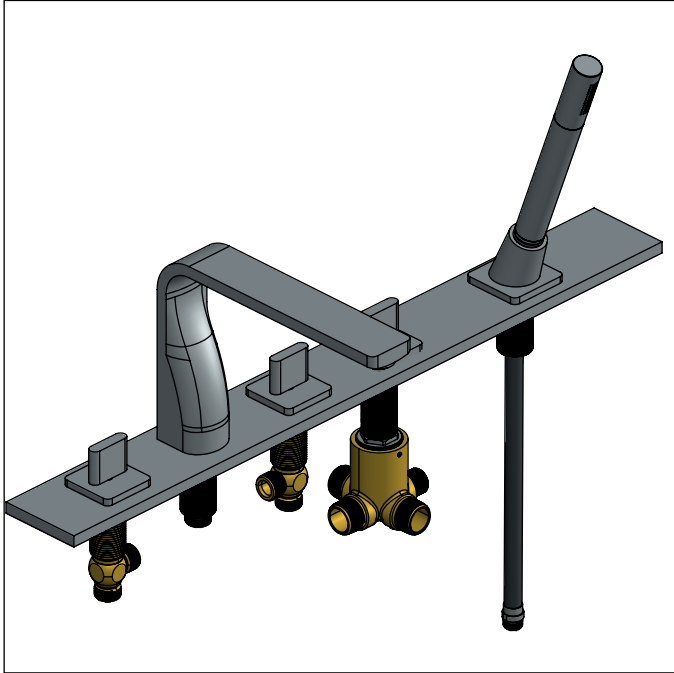


Drop hose down through deck hole

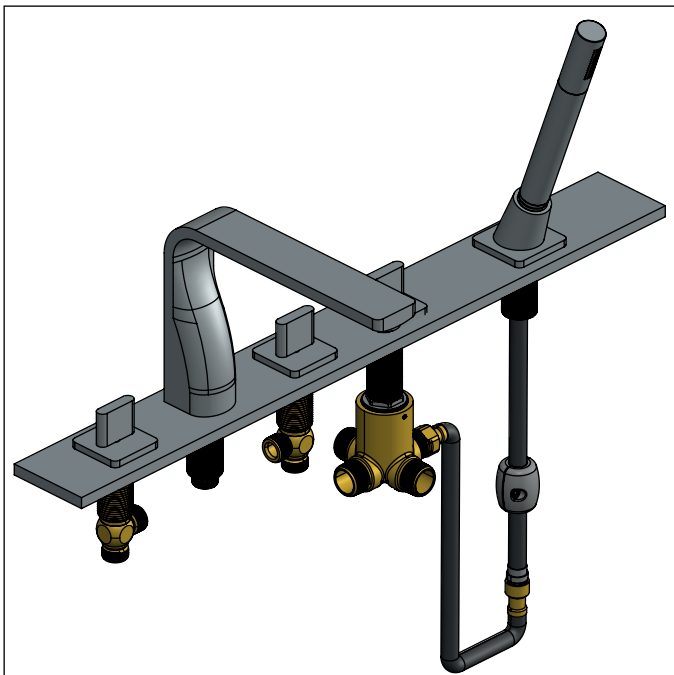


Attach hose to hand shower

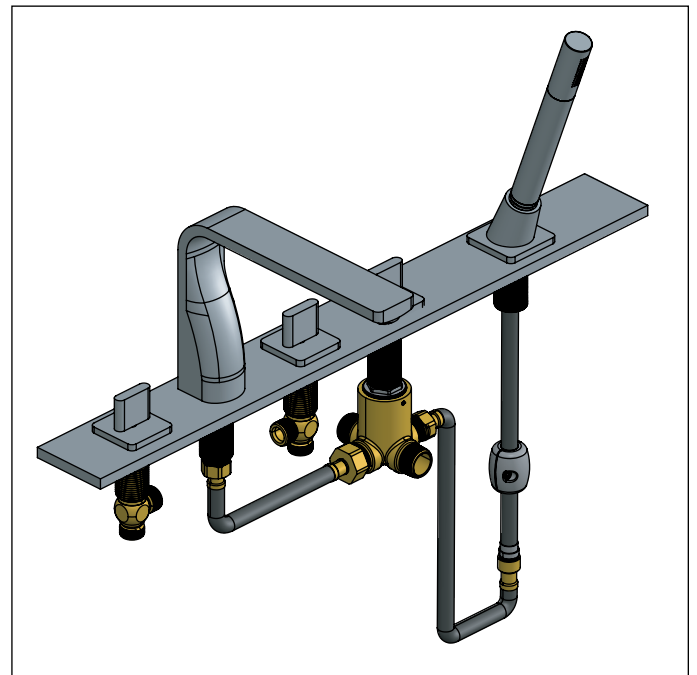
## INSTALLING THE HOSES



Connect 2nd piece of hand shower hose

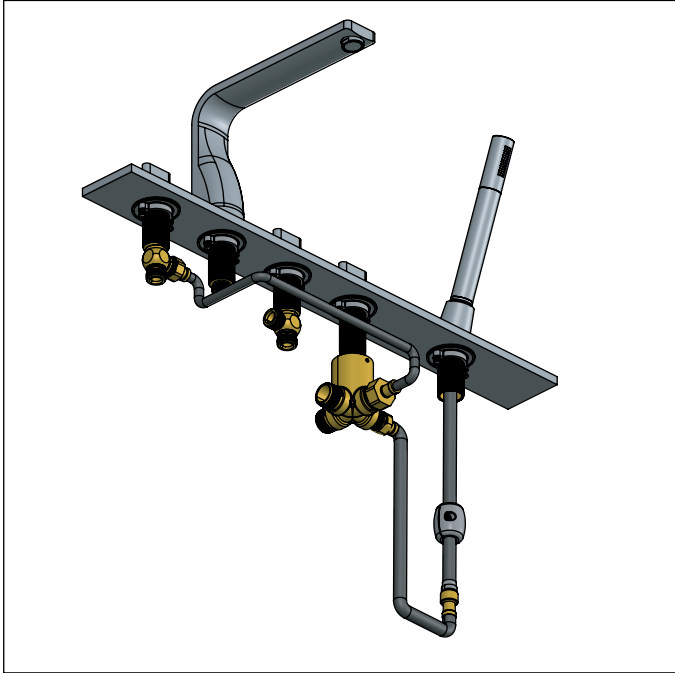


Connect hand shower hose to valve

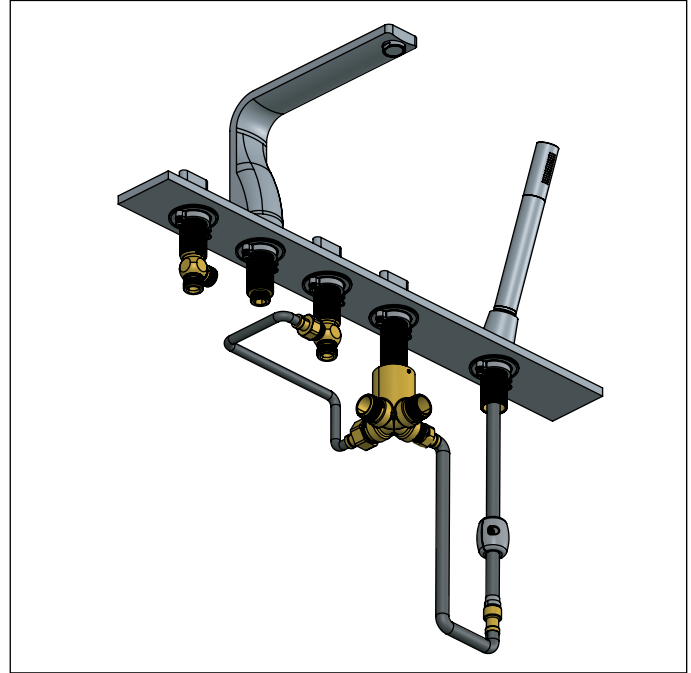


Connect spout to valve

## INSTALLING THE HOSES



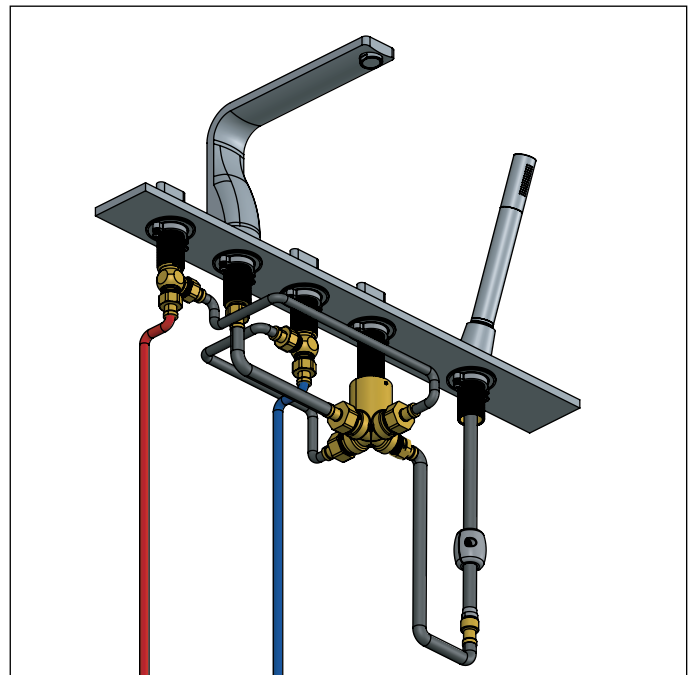
Connect hot side to diverter valve



Connect cold side to diverter valve



Connect Hot & Cold-Side Connection



All hoses connected seen here