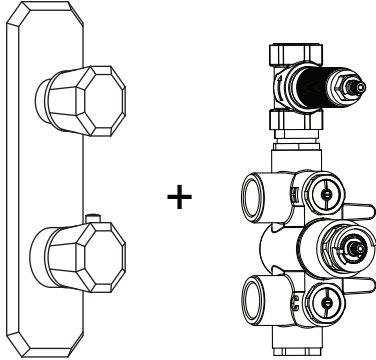


**230.2720 | 3/4" Horizontal Thermostatic Valve & Trim With Integrated Volume Control & Trim - For Tub or Shower Applications**



Trim [230.4000VT\*\*] + Valve [TVH.2693]

**SPECIFICATIONS:**

- Solid Brass construction
- Single output
- Bottom knob controls temperature
- Top knob controls volume
- Use in tub filler or shower applications
- Thermostatic Valve Flow Rate - 8.0 GPM @ 60 PSI

**STANDARDS:**

- ASME A112.18.1 / CSA B125.1

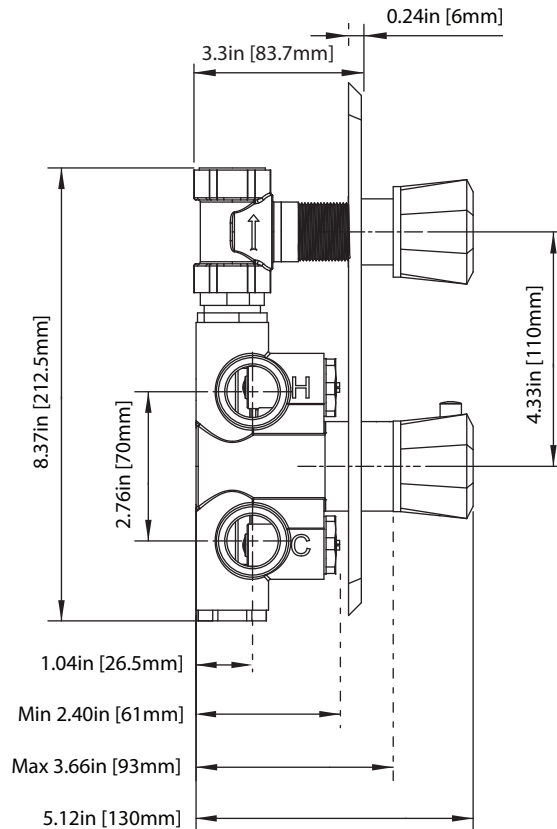
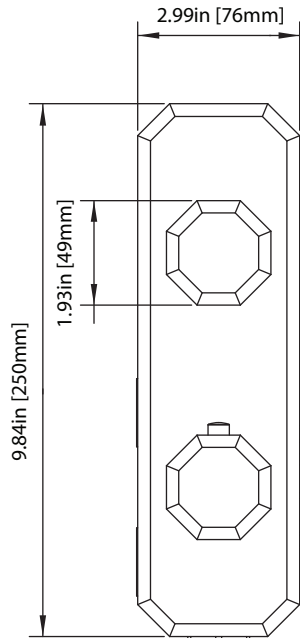
Legislation Compliance



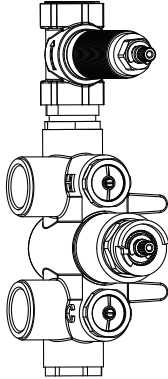
ZeroDrip Technology



See Spec Sheet For TVH.2693 For Detailed Information On Valve.



**TVH.2693 | 3/4" Horizontal Thermostatic Valve With Volume Control - For Tub or Shower Applications**



**SPECIFICATIONS:**

- Solid Brass construction
- Single output
- Left handle controls volume
- Right handle controls temperature
- Use in tub filler or shower applications
- Thermostatic Valve Flow Rate - 8.0 GPM @ 60 PSI
- Extension Available - TVH.4101E\*\*

**STANDARDS:**

- ASME A112.18.1 / CSA B125.1

Legislation Compliance



ZeroDrip Technology



**Technical Diagram**

