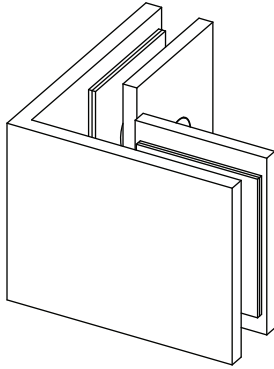


10.GGC.4026 | 90° Glass to Glass Fixed Clamp



PRODUCT SPECIFICATIONS:

- Solid Brass Construction
- Fixed Mount Clamp
- Fits 3/8" to 1/2" Thick Glass
- Suitable with Mitered Corner or Overlapping Glass
- Includes: Clamp body, glazing gaskets, mounting screws and fabrication template.

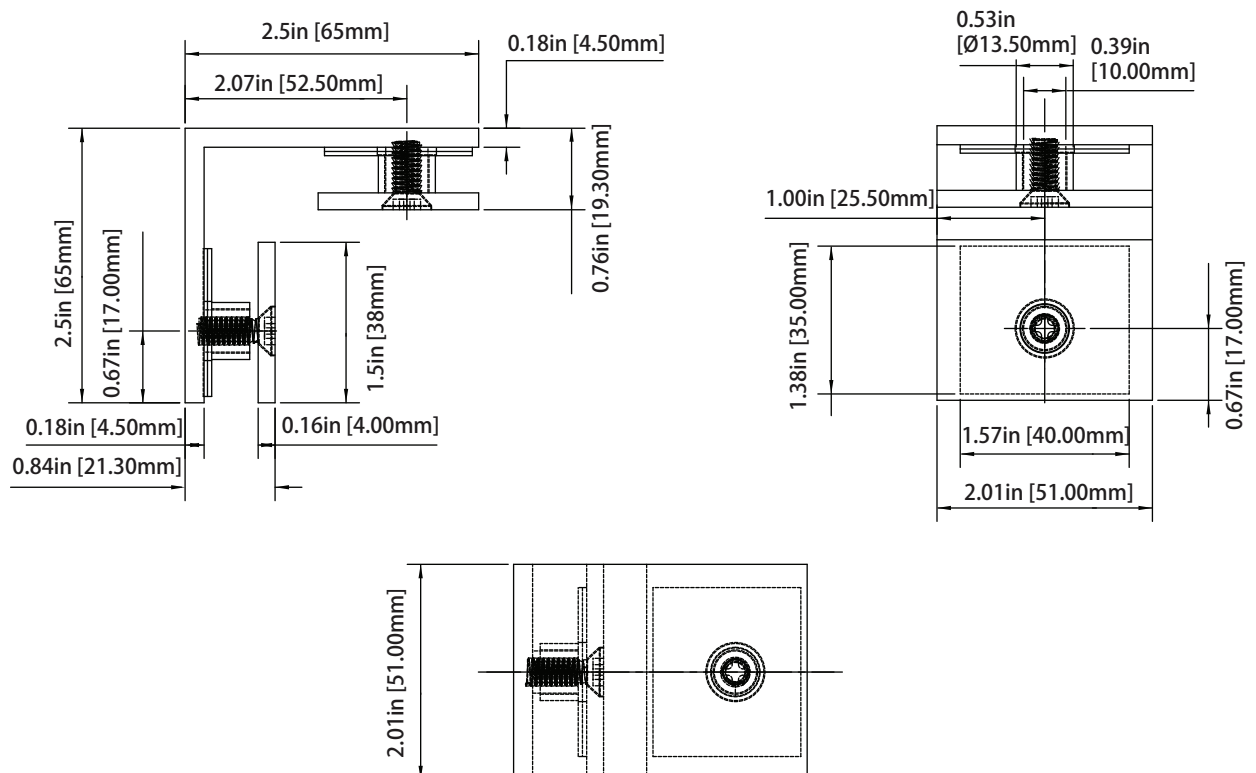
GASKET SPECIFICATIONS :

- For 3/8"~10mm Glass: Use One Thick Gasket On Each Side
- For 1/2"~12mm Glass: Use One Thin Gasket On Each Side

GLASS INFO :

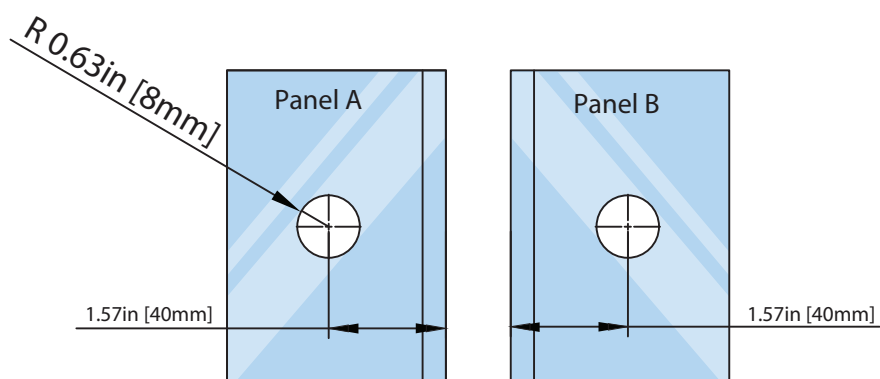
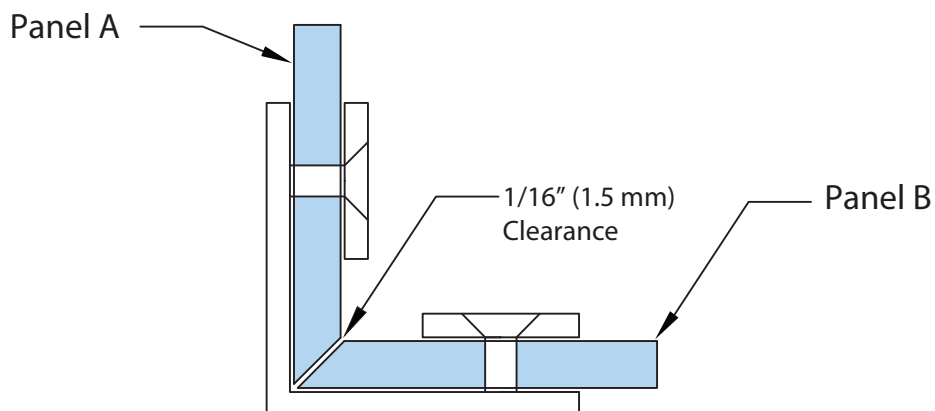
- Use on tempered safety glass only. Avoid using power tools to prevent damage to Clamp body.

Technical Diagram



GLASS CUTOUT DETAILS :

90° Glass to Glass Fixed Clamp
Item No: 10.GGC.4026



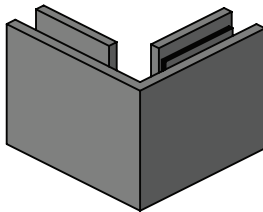
Tolerance : ± 0.1
Glass Thickness: $3/8in$ [~10mm] to $1/2in$ [~12mm]

CARE GUIDELINES:

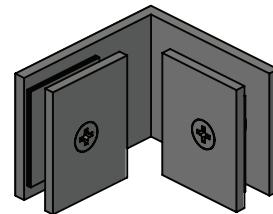
Clean surfaces by wiping them with a soft, damp cloth or sponge, and ensure thorough rinsing with warm water right after applying any cleaning solution.

Only utilize a mild cleaner. Avoid abrasive products, sponges, or wire scrub brushes when cleaning your hardware product.

FRONT VIEW



REAR VIEW



FIT REPRESENTATION

