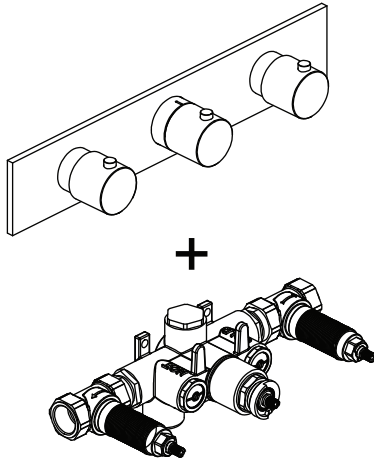


**100.2715 | 3/4" Horizontal Thermostatic Valve + Trim With Two Volume Controls - For Tub or Shower Applications**



**SPECIFICATIONS:**

- Solid Brass construction
- Two output
- Center knob controls temperature
- Left and right knob controls volume
- Use in tub filler or shower applications
- Thermostatic Valve Flow Rate - 8.0 GPM @ 60 PSI

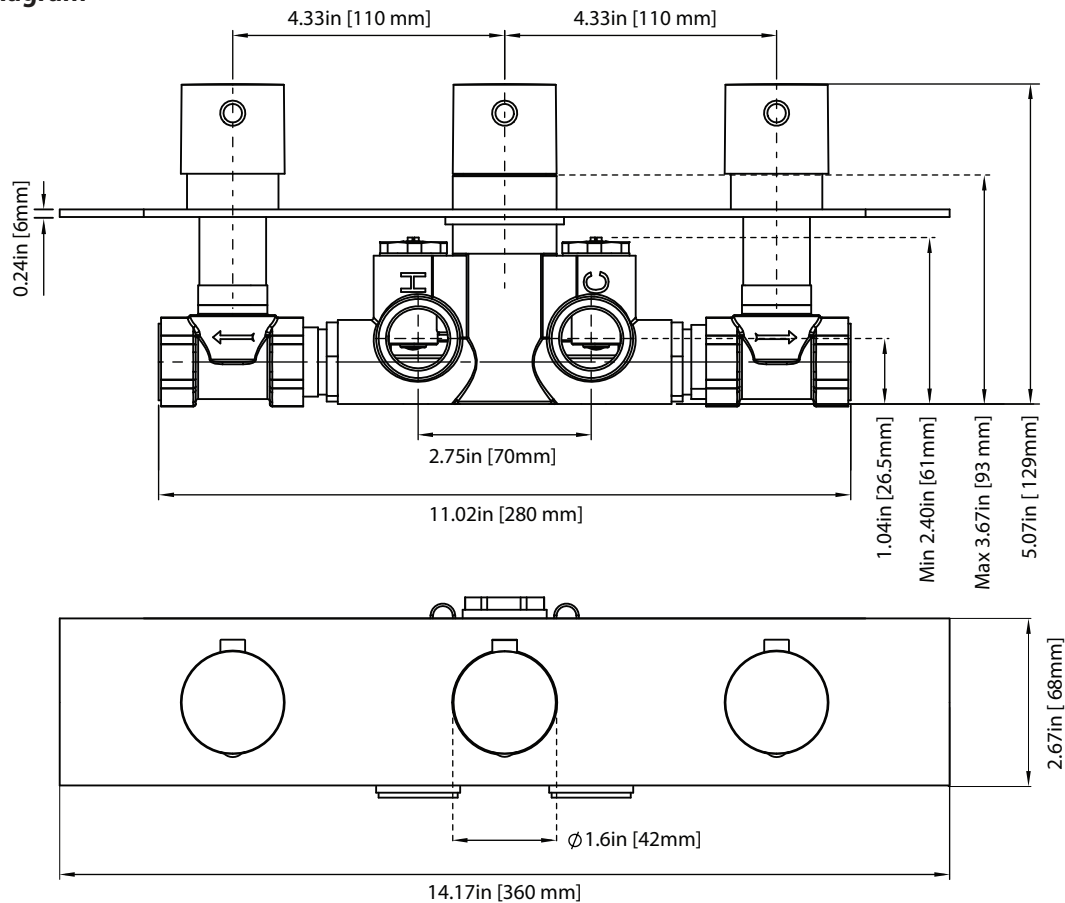
**STANDARDS:**

- ASME A112.18.1 / CSA B125.1

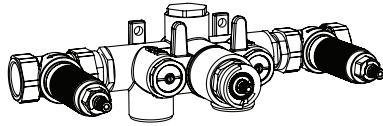
100.2715 Includes Valve [TVH.2715] + Trim [100.2715T\*\*]

**!** See Spec Sheet For TVH.2715 For Detailed Information On Valve.

**Technical Diagram**



**TVH.2715 | 3/4" Horizontal Thermostatic Valve With Two Volume Controls - For Tub or Shower Applications**



**SPECIFICATIONS:**

- Solid Brass construction
- Two output
- Center knob controls temperature
- Left and right knob controls volume
- Use in tub filler or shower applications
- Thermostatic Valve Flow Rate - 8.0 GPM @ 60 PSI
- Extension Available - TVH.4401E\*\*

**STANDARDS:**

- ASME A112.18.1 / CSA B125.1

**Technical Diagram**

