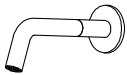
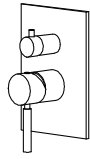


100.3200 | Two Output Shower W/ Shower Head & Tub Spout



COMPONENTS

- HS1030 - 7" Shower Arm
- HSB.6R - 6" Shower Head
- UF.2100T - Shower Trim
- PBV.1005A - Shower Valve
- 100.2300 - Tub Spout

SHOWER VALVE:

- Pressure balance shower valve
- Valve includes service stops
- Lift bottom handle to control volume
- Turn left for hot, right for cold
- Top handle controls water diversion
- 1/2" NPT

SHOWER HEAD:

- Single function
- Solid brass construction
- 1.8 GPM flow rate

TUB SPOUT:

- Solid Brass construction
- 1/2" male NPT connection

STANDARDS:

- ASME A112.18.1 / CSA B125.1

See individual component specification sheets on following pages for further details.

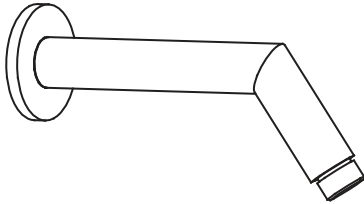


HS1030 | Round Shower Arm

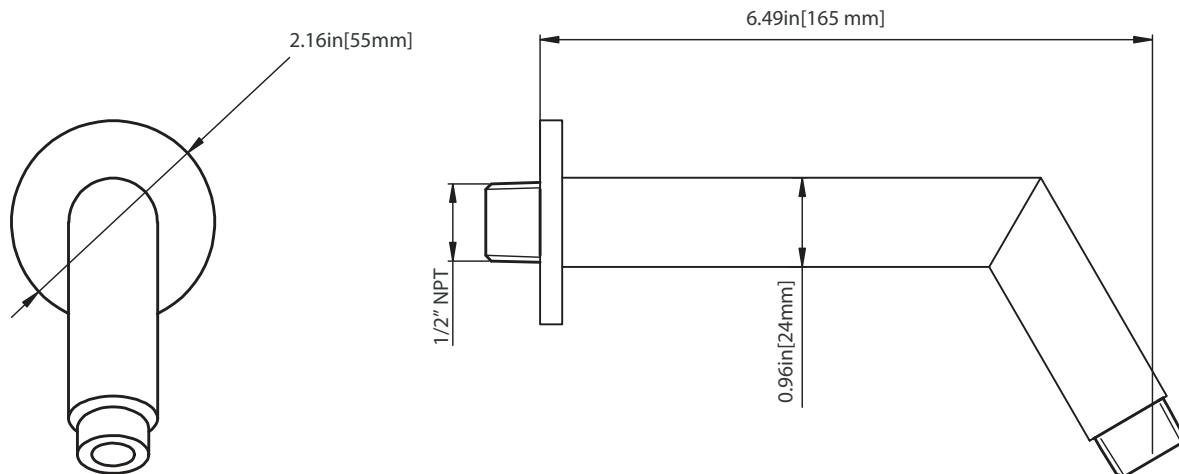


SPECIFICATIONS:

- Solid Brass Shower Arm
- With Brass Flange



Technical Diagram

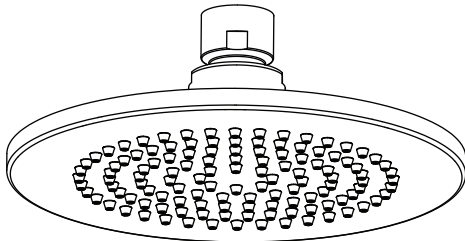


HSB.6R | 6" Brass Shower Head

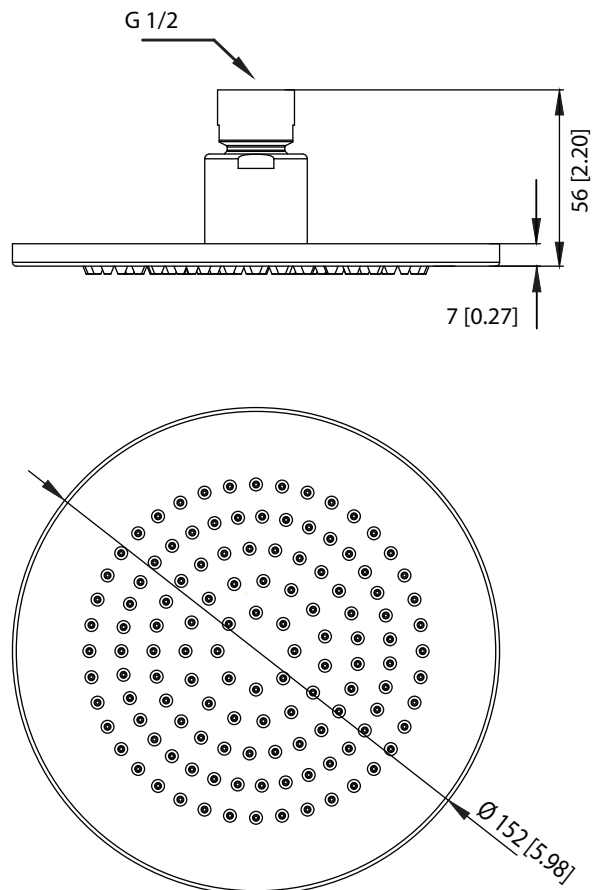


SPECIFICATIONS:

- Solid Brass Shower Head
- Scrub rubber nozzles to easily clean water sediment
- 1.8 GPM Flow Rate
- 123 Nozzles



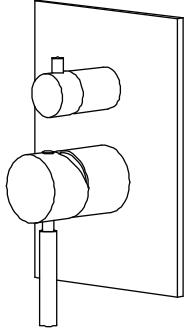
Technical Diagram



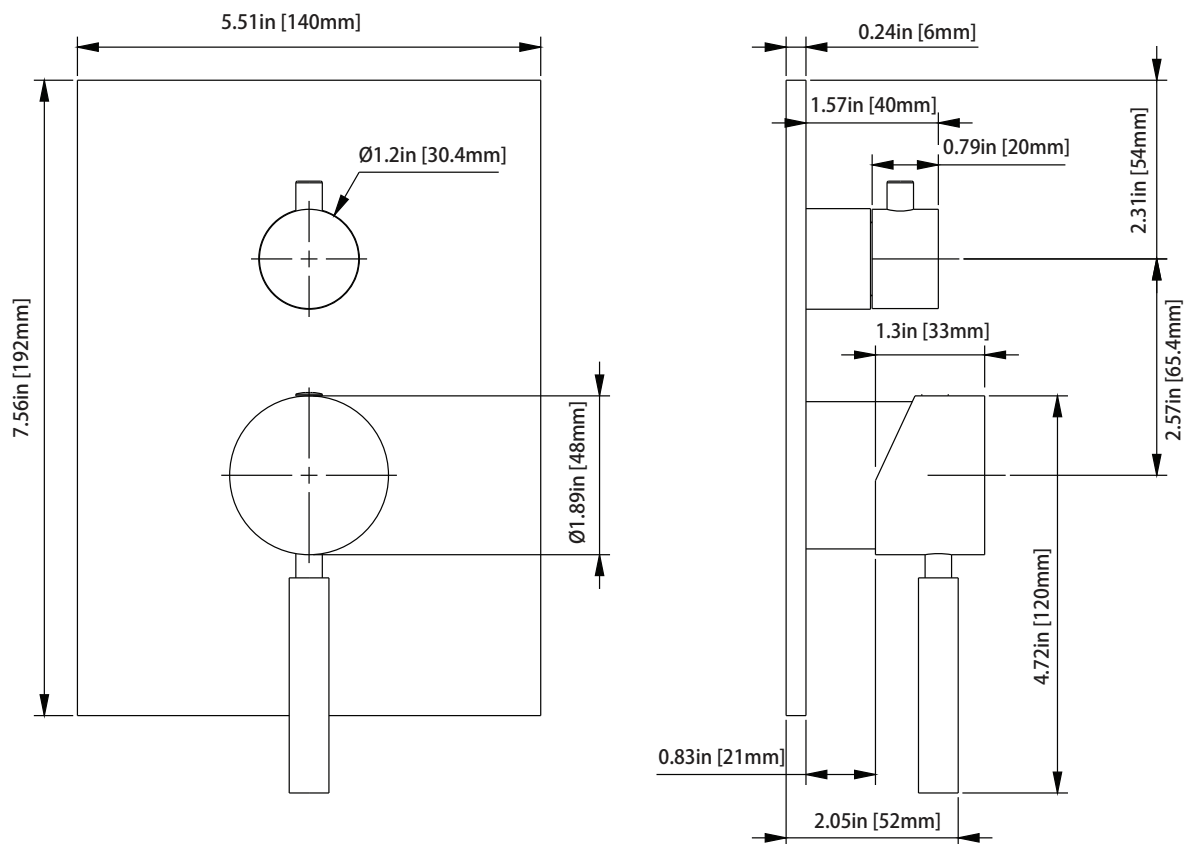
UF.2100T | Tub / Shower Trim

SPECIFICATIONS:

- Solid Brass Construction
- Trim only valve not included
- Lift Handle to control volume. Turn left for hot, right for cold.
- Small knob controls 2-way water diversion



Technical Diagram



PBV1005A | Pressure Balance Valve With Integrated 2-Way Diverter Page 1 of 2

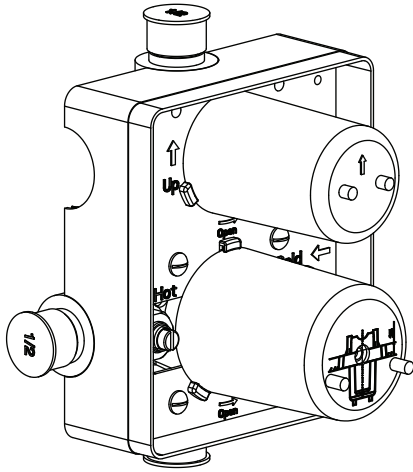


SPECIFICATIONS:

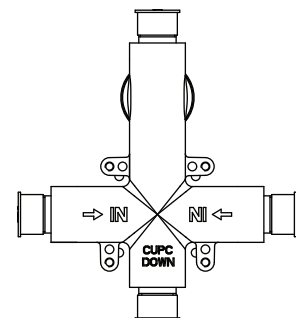
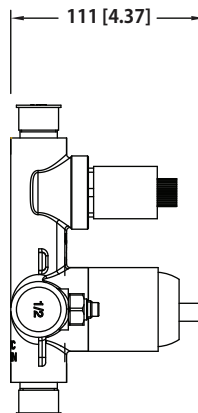
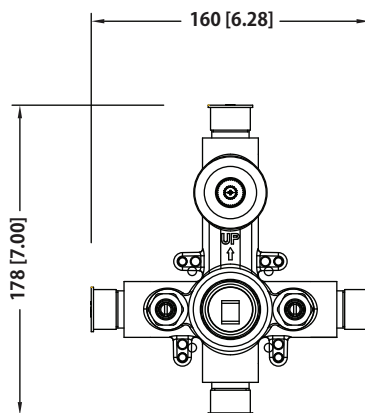
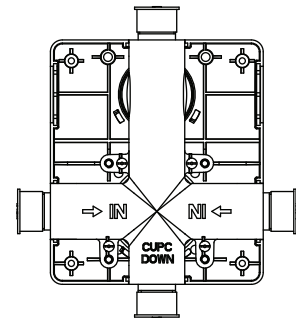
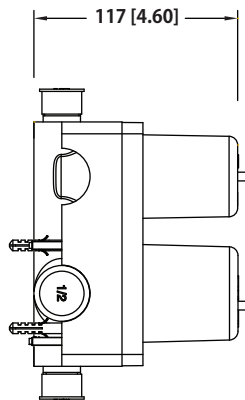
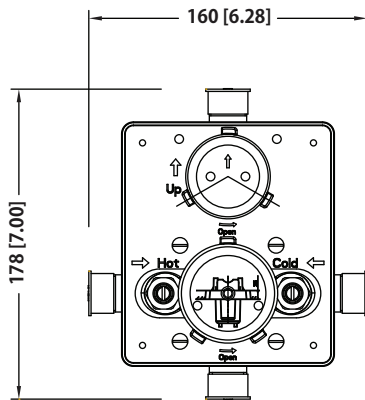
- Lift Handle to control volume. Turn left for hot, right for cold.
- Knob controls 2-way water diversion - shared output.
- Pressure Balance Valve Flow Rate - 5.5 GPM @ 60 PSI
- Extension Available - PBV.2100E**

STANDARDS:

- ASME A112.18.1 / CSA B125.1



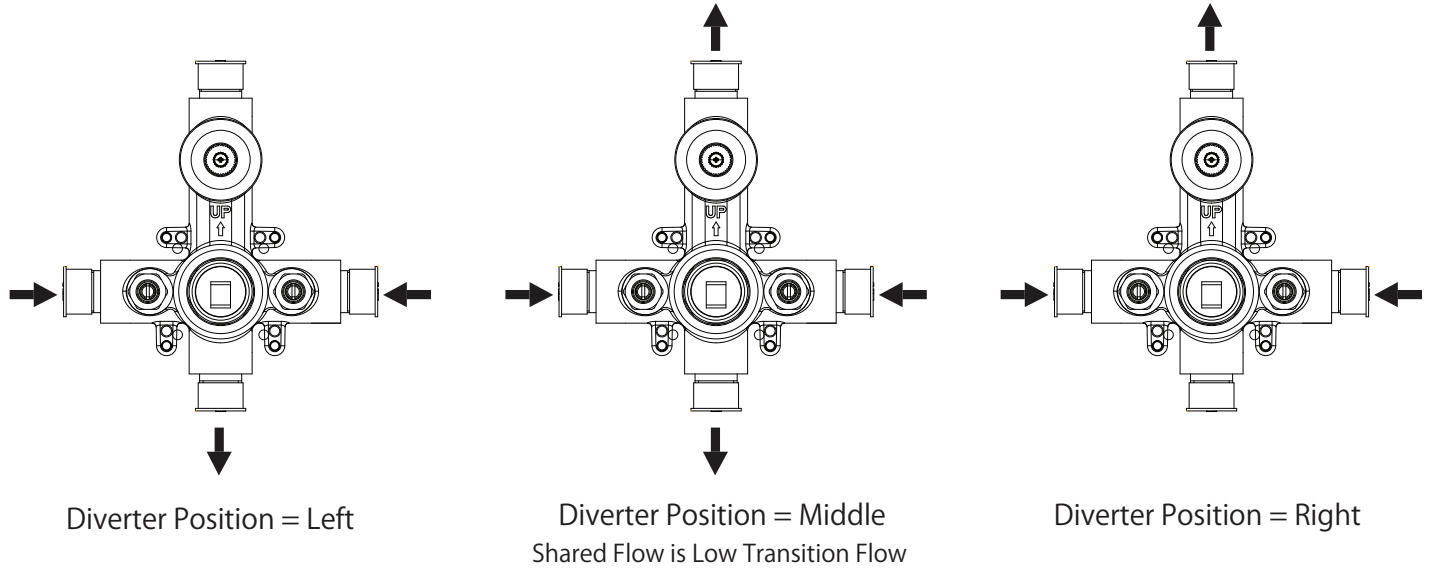
Technical Diagram



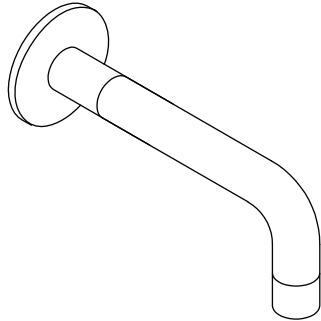
PBV1005A | Pressure Balance Valve With Integrated 2-Way Diverter Page 2 of 2



Water Diversion Diagram



100.2300 | Tub Spout



SPECIFICATIONS:

- Solid Brass Construction
- 1/2" NPT Connection
- Flow Rate: 10.0 GPM @ 60 PSI

STANDARDS:

- ASME A112.18.1 / CSA B125.1

Technical Diagram

