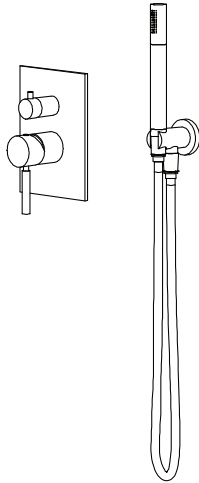
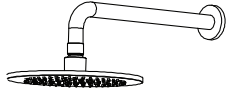


100.3300 | Two Output Shower W/ Rain Head & Hand Held



**COMPONENTS**

- HS1002SA - 12" Shower Arm
- HS1002A - 8" Shower Head
- UF.2100T - Shower Trim
- PBV.1005A - Shower Valve
- HS1004H - Hand Held
- HS8008 - Wall Elbow w/ Holder
- SP.150EM - 1.5m Hose

**SHOWER VALVE:**

- Pressure balance shower valve
- Valve includes service stops
- Lift bottom handle to control volume
- Turn left for hot, right for cold
- Top handle controls water diversion
- 1/2" NPT

**SHOWER HEAD:**

- Solid brass construction
- 1.8 GPM flow rate

**HAND HELD:**

- Solid Brass construction
- 1.8 GPM flow rate
- With back flow prevention check valve

**STANDARDS:**

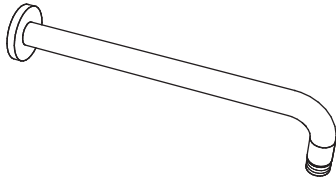
- ASME A112.18.1 / CSA B125.1

See individual component specification sheets on following pages for further details.

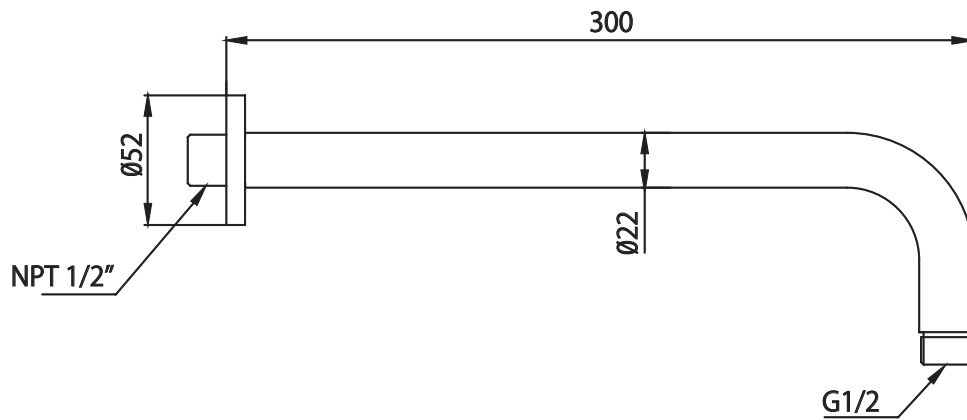
HS1002SA | Round Shower Arm - 300mm - 12"

SPECIFICATIONS:

- Solid Brass Shower Arm
- With Sliding Flange



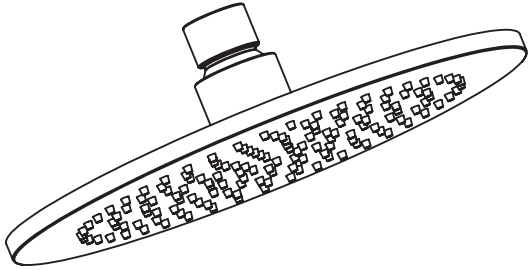
Technical Diagram



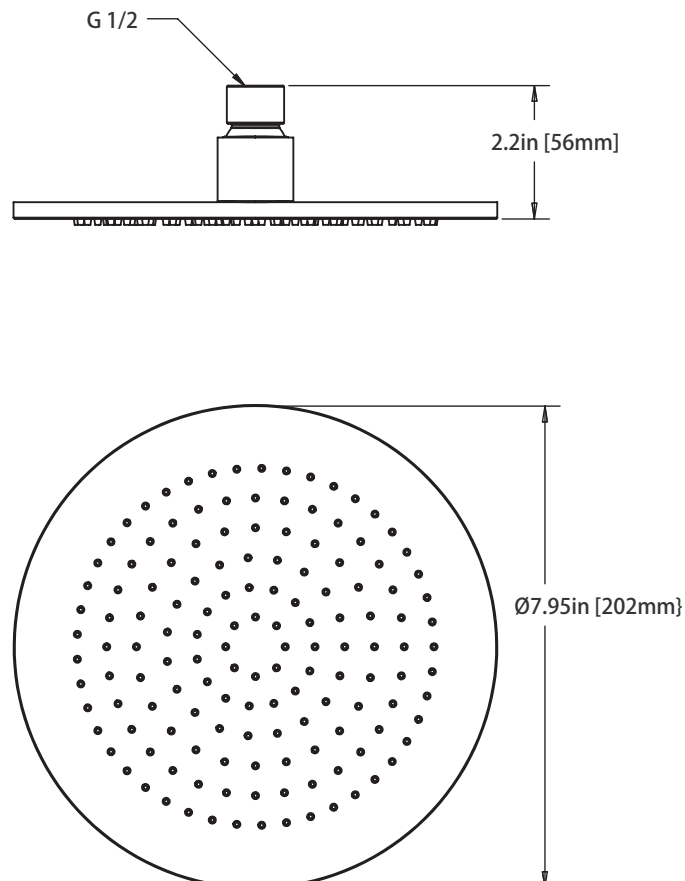
HS1002A | 8" Brass Shower Head

SPECIFICATIONS:

- Solid Brass Shower Head
- Scrub rubber nozzles to easily clean water sediment
- 1.8 GPM Flow Rate



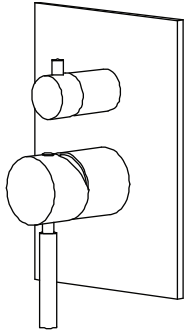
Technical Diagram



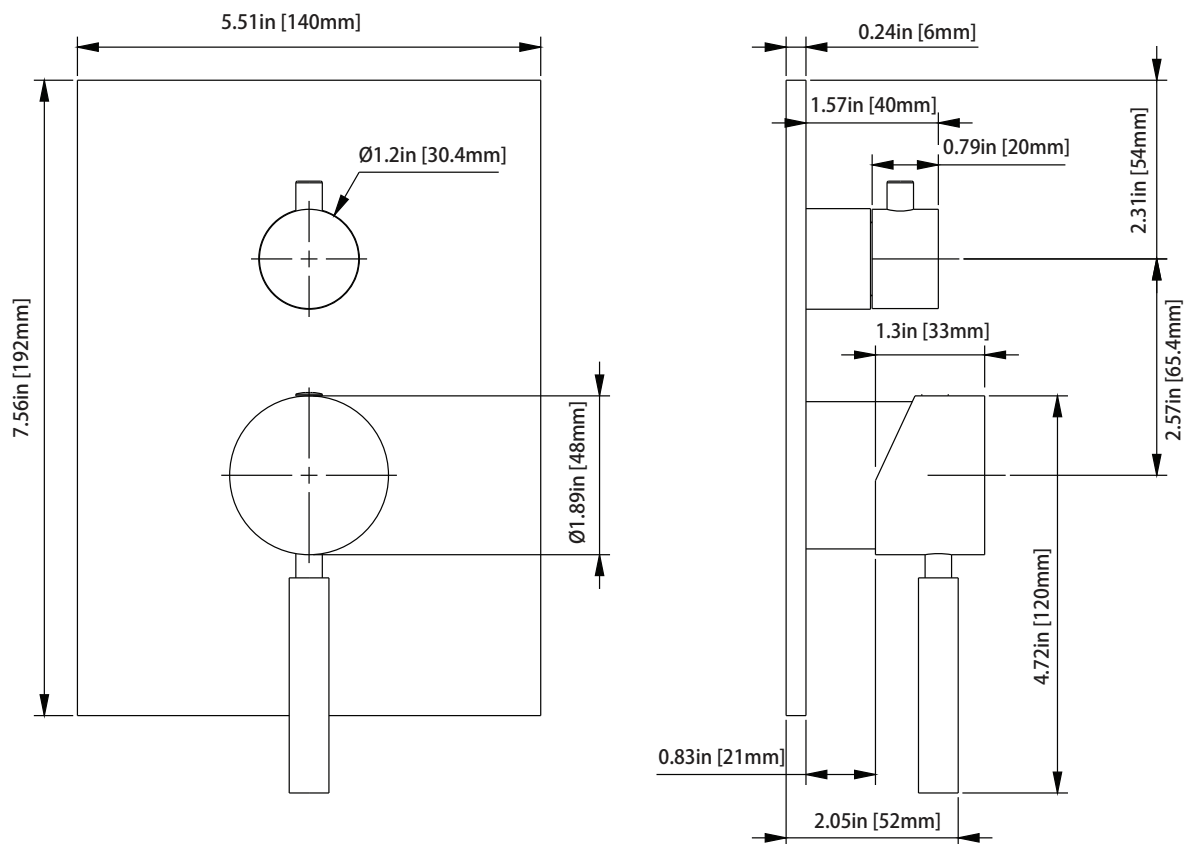
UF.2100T | Tub / Shower Trim

SPECIFICATIONS:

- Solid Brass Construction
- Trim only valve not included
- Lift Handle to control volume. Turn left for hot, right for cold.
- Small knob controls 2-way water diversion



Technical Diagram



**PBV1005A | Pressure Balance Valve With Integrated 2-Way Diverter** Page 1 of 2

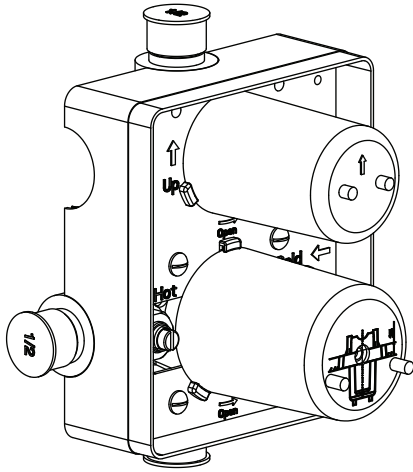


**SPECIFICATIONS:**

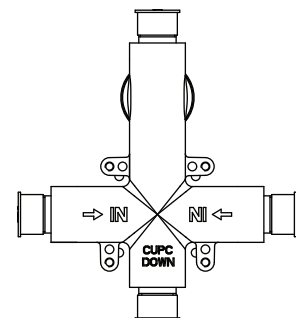
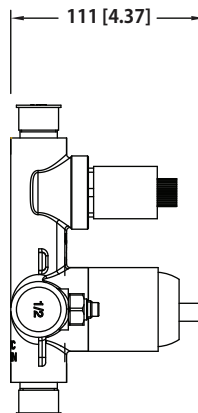
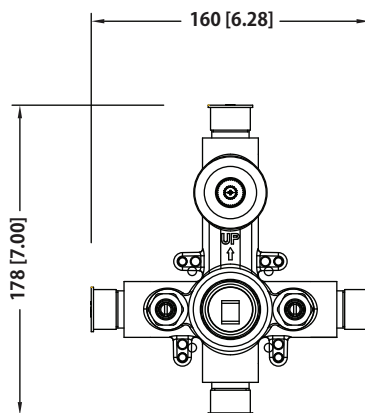
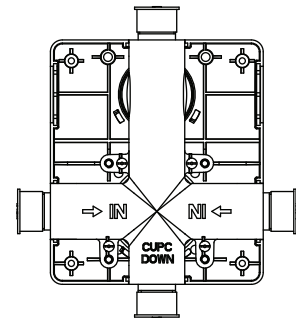
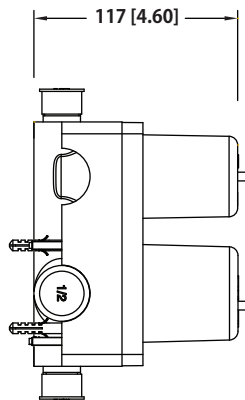
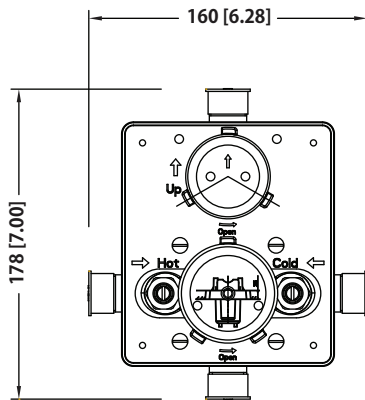
- Lift Handle to control volume. Turn left for hot, right for cold.
- Knob controls 2-way water diversion - shared output.
- Pressure Balance Valve Flow Rate - 5.5 GPM @ 60 PSI
- Extension Available - PBV.2100E\*\*

**STANDARDS:**

- ASME A112.18.1 / CSA B125.1



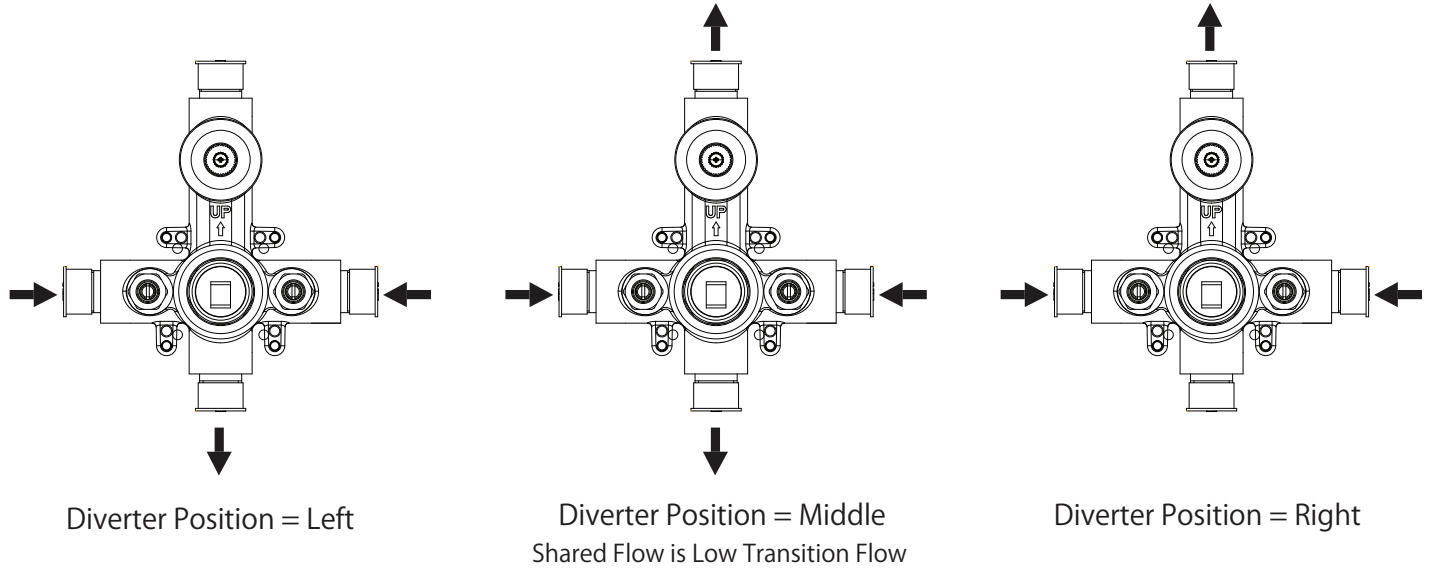
**Technical Diagram**



PBV1005A | Pressure Balance Valve With Integrated 2-Way Diverter Page 2 of 2



Water Diversion Diagram



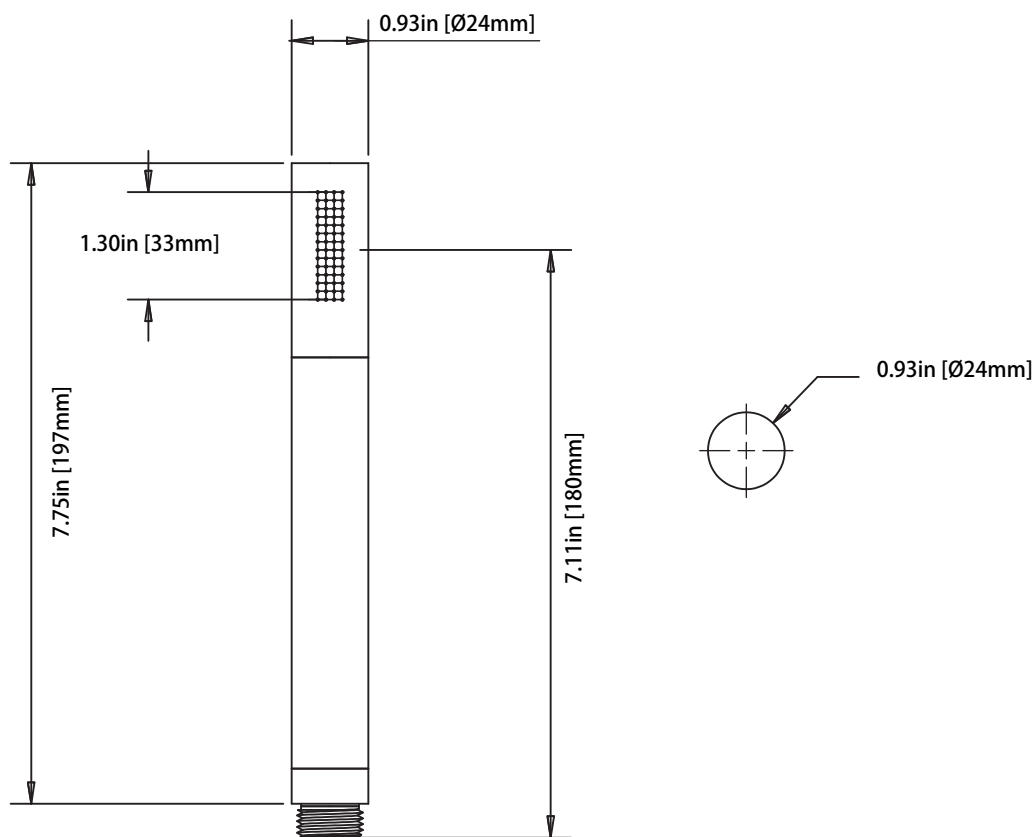
HS1004H | Solid Brass Hand Shower

SPECIFICATIONS:

- Solid Brass Construction
- 1.8 GPM Flow Rate
- With back flow prevention check valve



Technical Diagram



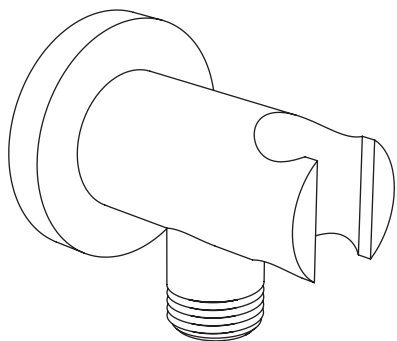
**HS8008 | Wall Elbow With Holder Combo**

**SPECIFICATIONS:**

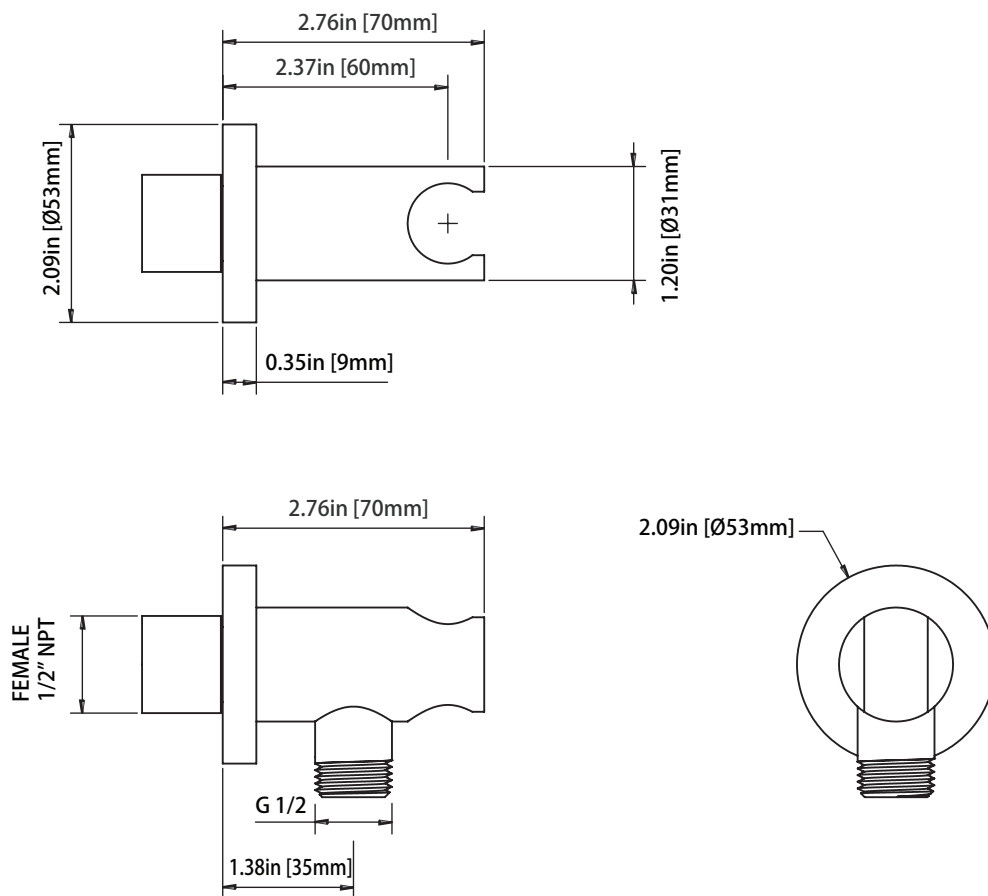
- Solid Brass construction
- Includes check valve with back flow prevention.

**FAST SHIP FINISHES :**

- Chrome - HS8008CP / Brushed Nickel - HS8008BN



**Technical Diagram**





SP.150EM | Easy Maneuver Hose



SPECIFICATIONS:

- Stainless steel construction
- G-1/2" connection
- 1.5m length

Technical Diagram

