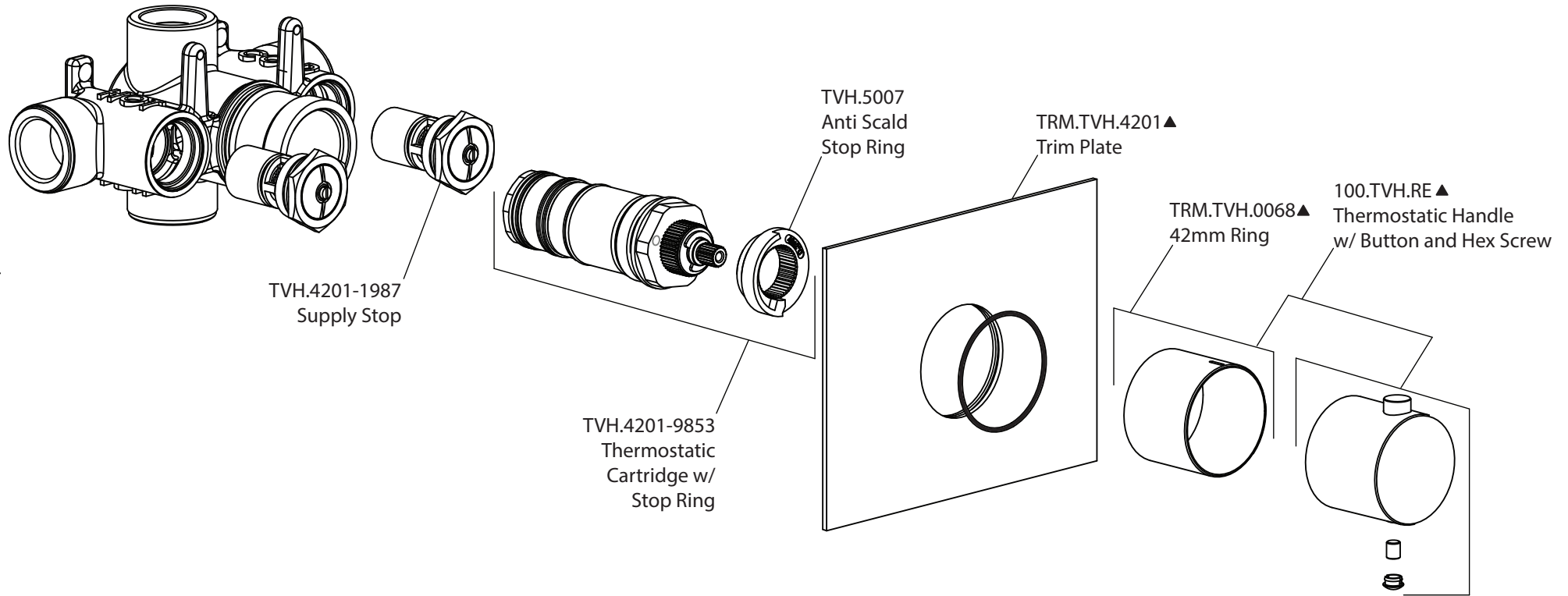


# Product Parts Breakdown



**Model No.** 100.4201

**Ver** 2.53