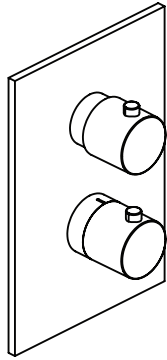


**100.4301 | 3/4" Thermostatic Valve With 3-Way Diverter & Integrated Volume Control & Trim**

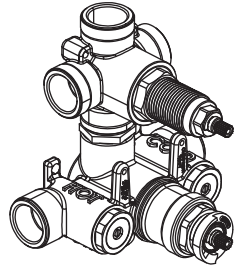
**SPECIFICATIONS:**

- Turn bottom handle to control temperature.
- Turn top handle to divert water & control volume.
- Includes Thermostatic valve (TVH.4301F) w/ service stops
- Thermostatic Valve Flow Rate - 8.0 GPM @ 60 PSI
- Extension Available - TVH.4101E\*\*



Trim  
[ 100.4000T\*\* ]

+

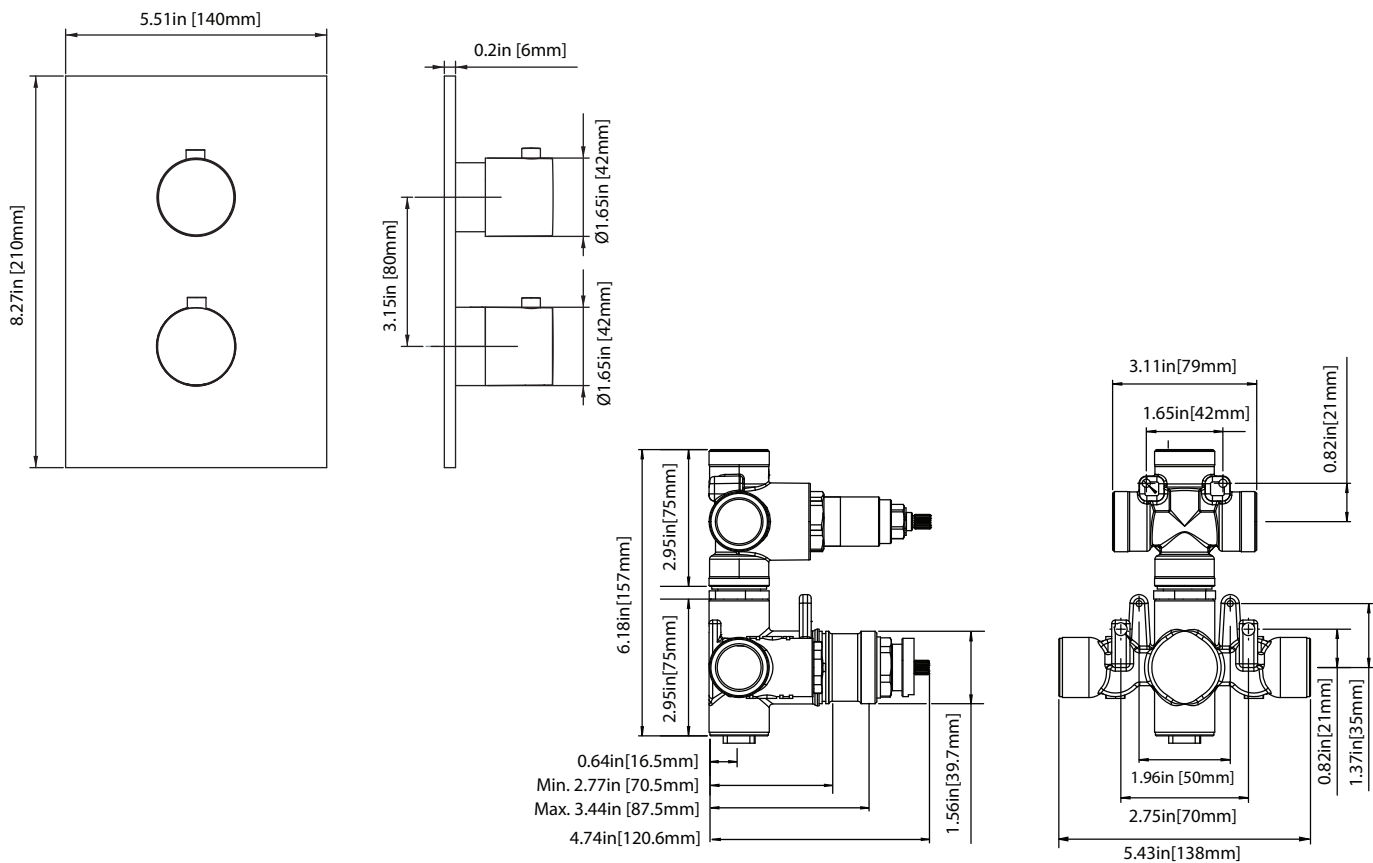


Valve  
[ TVH.4301F ]

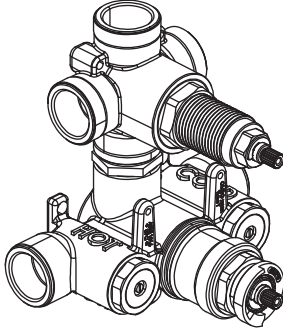
**!**  
A separate volume control is **not** needed to turn water supply off. Volume control functionality is integrated within this valve.

See Spec Sheet For TVH.4301F For Detailed Information On Valve.

**Technical Diagram**



**TVH.4301F | 3/4" Thermostatic Valve With 3-Way Diverter & Integrated Volume Control** Page 1 of 2



**SPECIFICATIONS:**

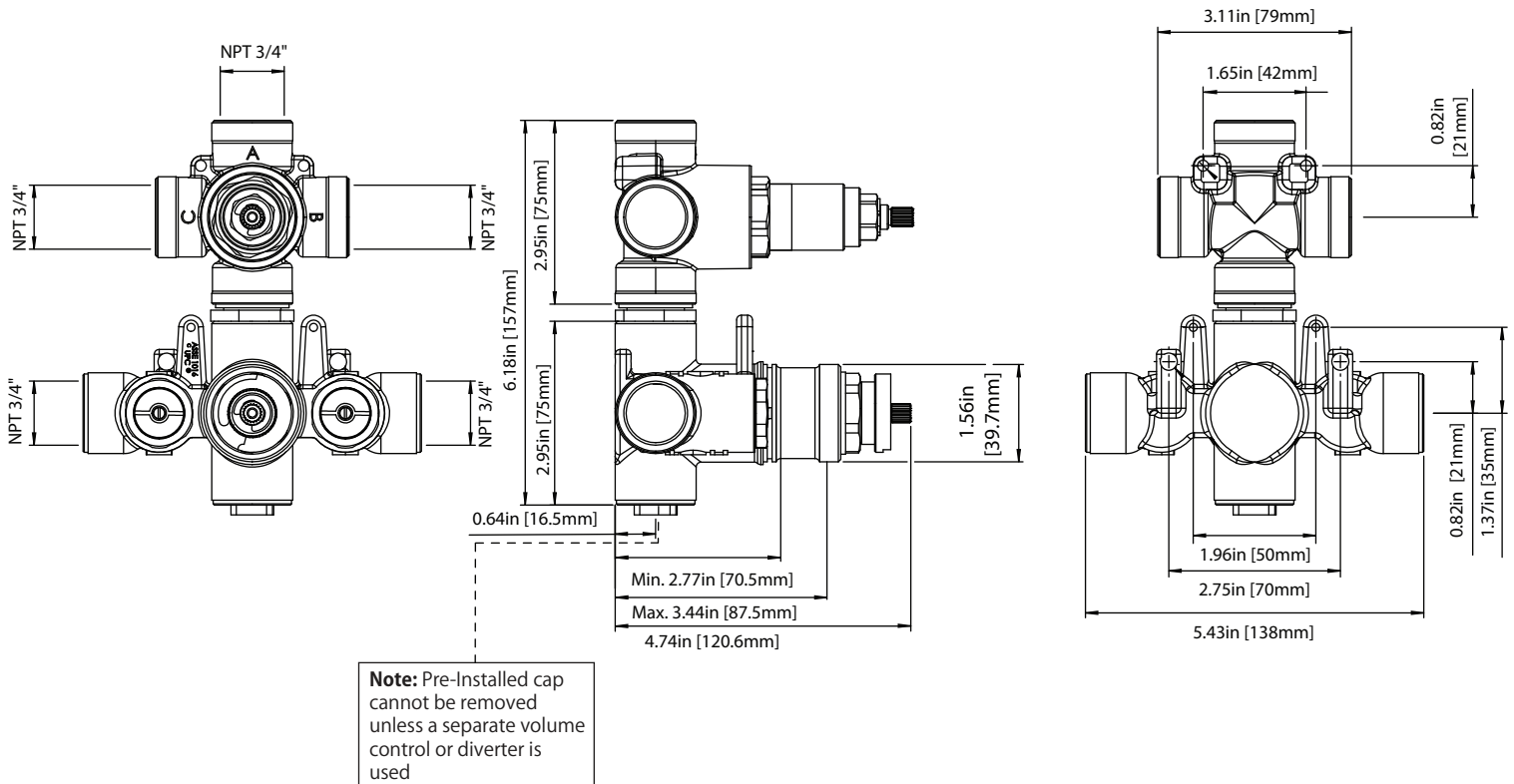
- Turn bottom knob to control temperature.
- Turn top knob to control water flow.
- Thermostatic Valve Flow Rate - 8.0 GPM @ 60 PSI
- Extension Available - TVH.4101E\*\*

**STANDARDS:**

- ASME A112.18.1 / CSA B125.1

**!** A separate volume control is **not** needed to turn water supply off. Volume control functionality is integrated within this valve.

**Technical Diagram**



**TVH.4301F | 3/4" Thermostatic Valve With 3-Way Diverter & Integrated Volume Control** Page 2 of 2



**THREE OUPUT - CAL-GREEN - NO SHARED PORT OPERATION**

Diverter Cartridge # - **15100** (Included)

Total 6 Positions as defined below, with **only** 1 port active at one time.

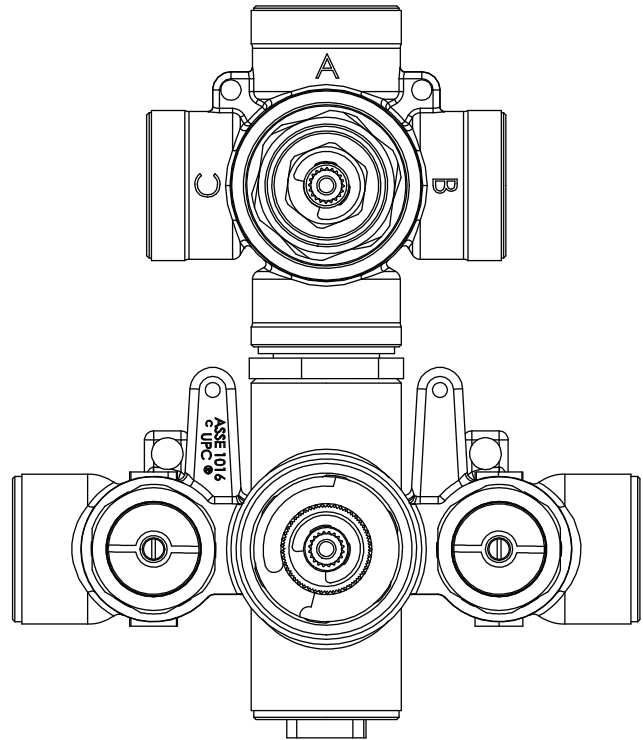
- Position 0 - Off - No Water Flow
- Position 1 - Output B Activated
- Position 2 - Off - No Water Flow
- Position 3 - Output A Activated
- Position 4 - Off - No Water Flow
- Position 5 - Output C Activated

**THREE OUPUT - SHARED PORT OPERATION**

Diverter Cartridge # - **15200** (Not Included)

Total 6 Positions as defined below, with 2 ports active at one time.

- Position 0 - Off - No Water Flow
- Position 1 - Output B Activated
- Position 2 - Output B+A Activated
- Position 3 - Output A Activated
- Position 4 - Output C+A Activated
- Position 5 - Output C Activated



**Water Diversion Diagram**

