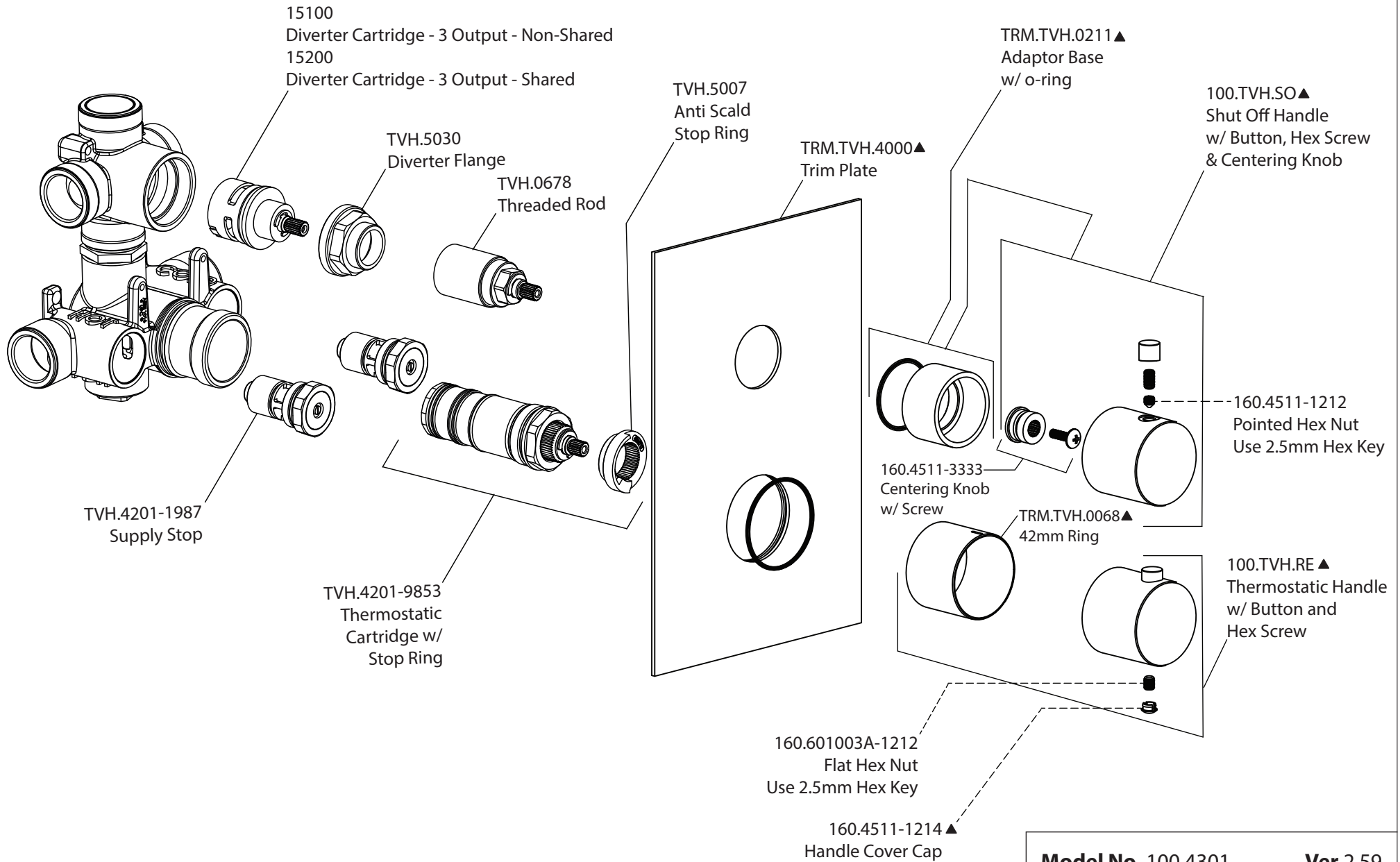


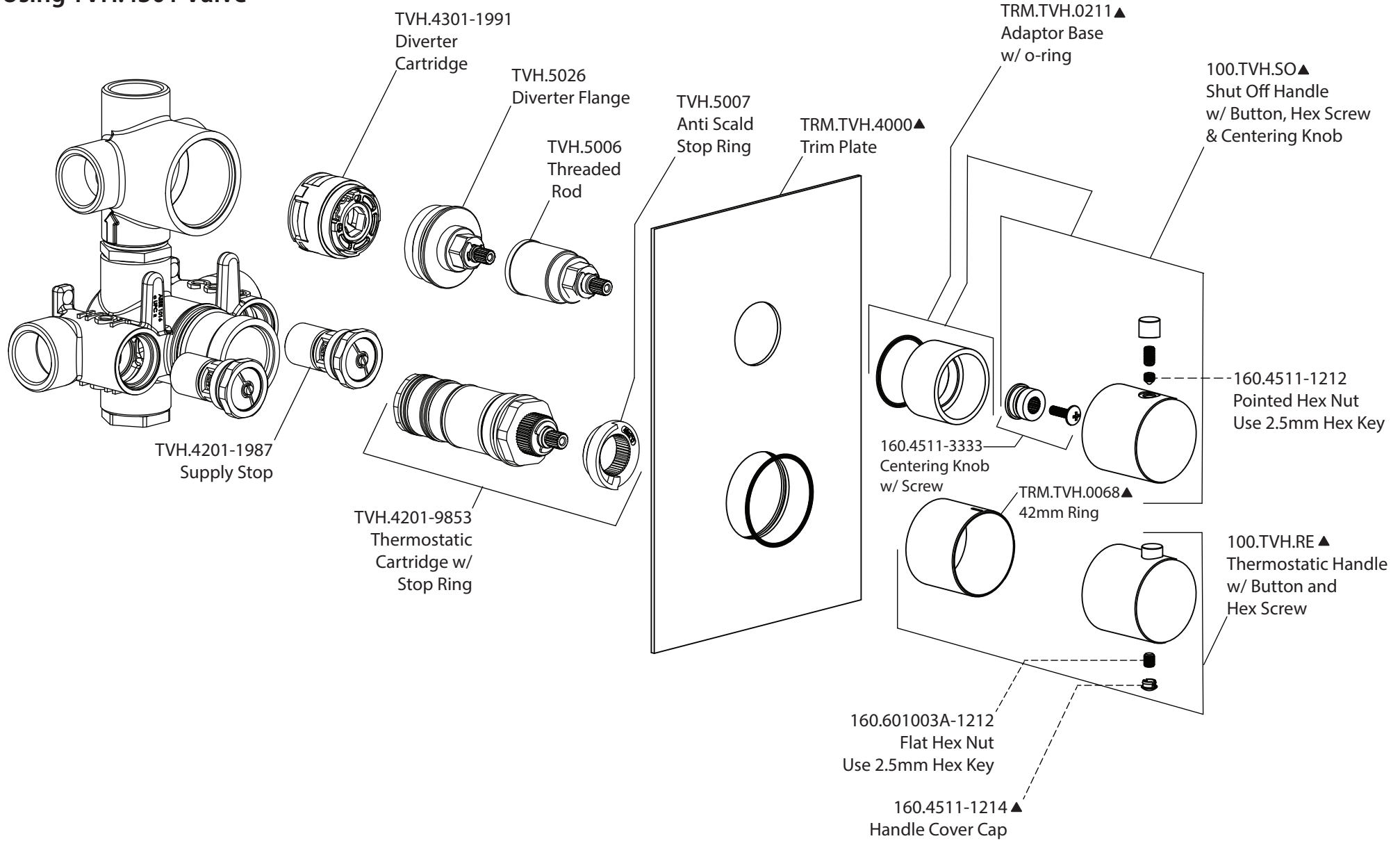
Product Parts Breakdown Using TVH.4301F Valve



Model No. 100.4301

Ver 2.59

Product Parts Breakdown Using TVH.4301 Valve



Model No. 100.4301

Ver 2.58

isenberg® *by* **FLUSSO**
LUXURY PLUMBING FIXTURES