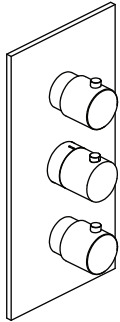


100.4401 | 3/4" Thermostatic Valve With 2 Independent Volume Controls

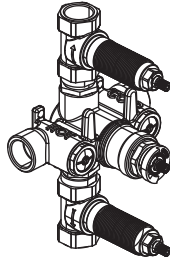
SPECIFICATIONS:

- Turn middle knob to control temperature.
- Turn top knob to control water flow from top output.
- Turn bottom knob to control water flow from bottom output.
- Thermostatic Valve Flow Rate - 13.0 GPM @ 60 PSI
- Both outputs can be activated at once.
- Extension Available - TVH.4401E**



Trim
[100.4500T**]

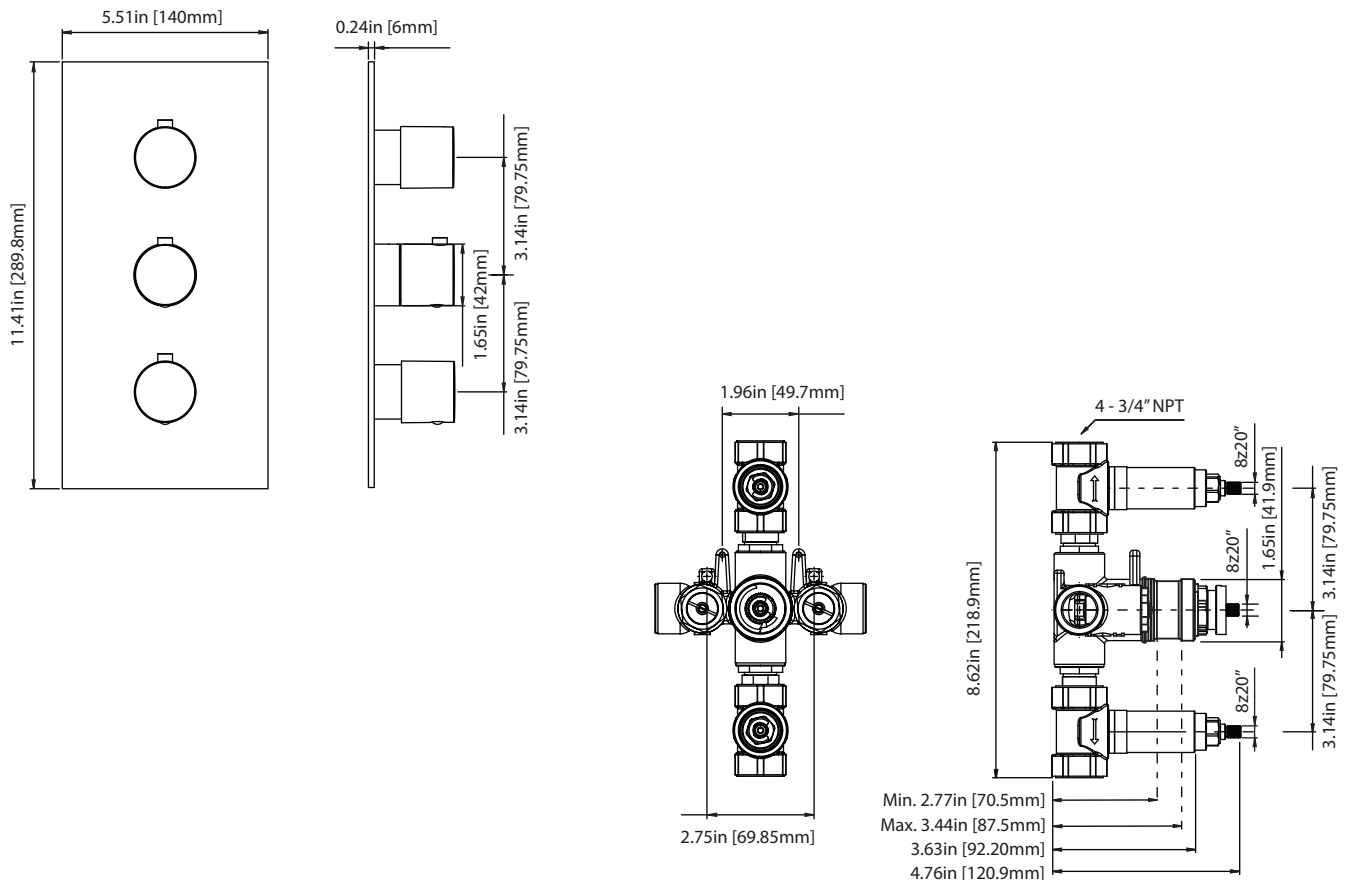
+



Valve
[TVH.4401]

See Spec Sheet For
TVH.4401 For Detailed
Information On Valve.

Technical Diagram



TVH.4401 | 3/4" Thermostatic Valve With 2 Independent Volume Controls Page 1 of 2

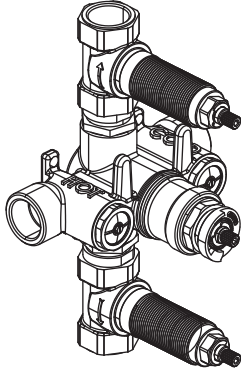


SPECIFICATIONS:

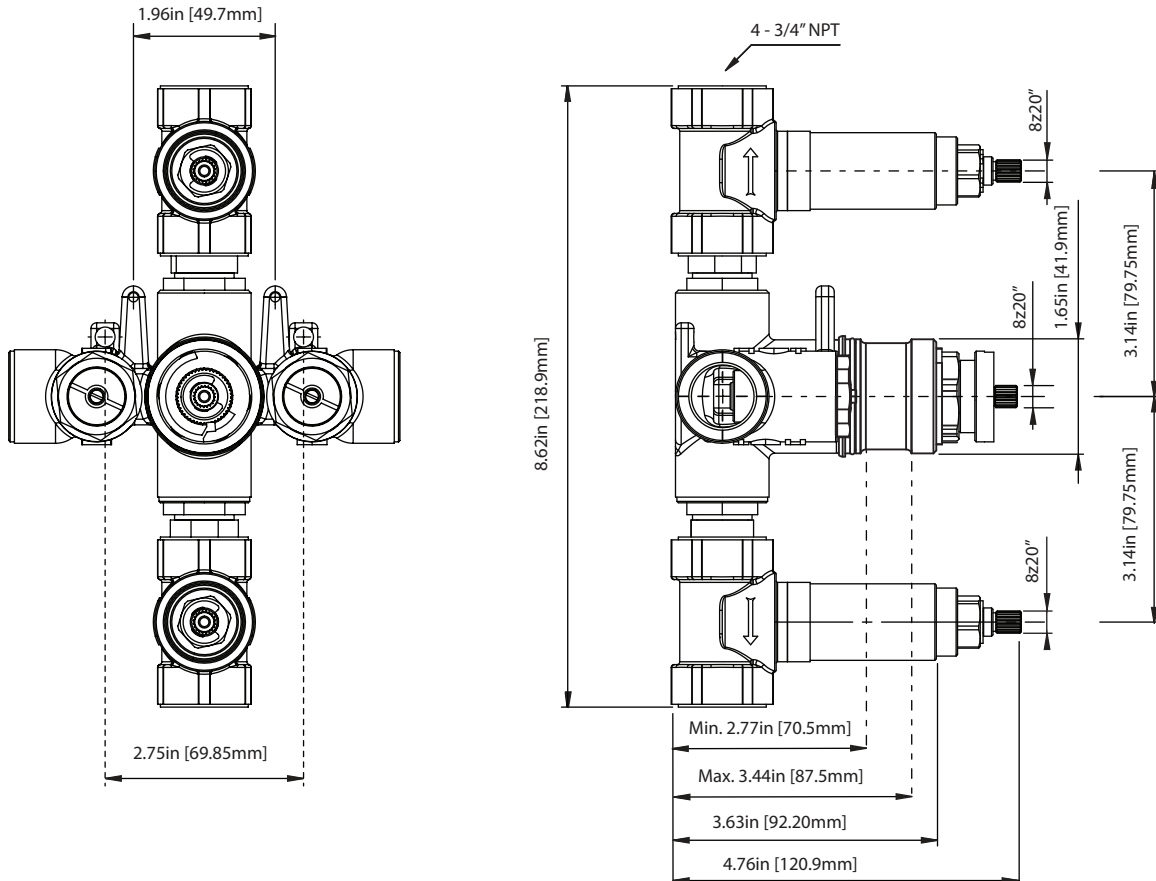
- Turn middle knob to control temperature.
- Turn top knob to control water flow from top output.
- Turn bottom knob to control water flow from bottom output.
- Thermostatic Valve Flow Rate - 13.0 GPM @ 60 PSI
- Extension Available - TVH.4401E**

STANDARDS:

- ASME A112.18.1 / CSA B125.1



Technical Diagram



TVH.4401 | 3/4" Thermostatic Valve With 2 Independent Volume Controls Page 2 of 2



Water Flow Diagram

