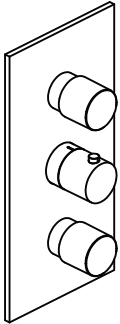


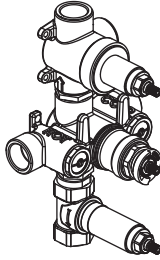
100.4501 | Three Output 3/4" Thermostatic Valve & Trim

SPECIFICATIONS:



Trim
[100.4501T**]

+

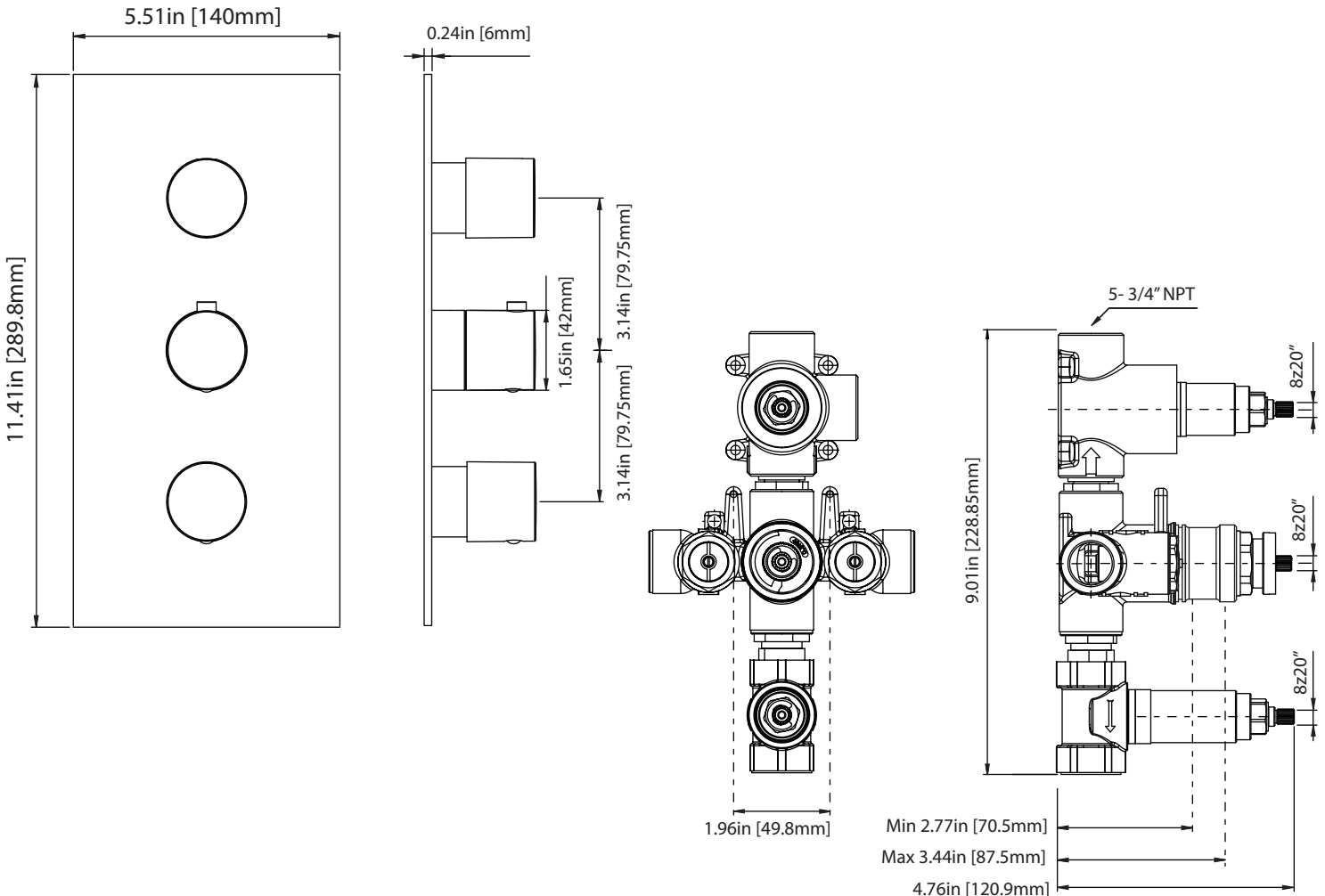


Valve
[TVH.4501]

- Turn middle knob to control temperature.
- Turn top knob to divert water flow between two top outlets.
- Turn bottom knob to control water flow of bottom outlet.
- Thermostatic Valve Flow Rate - 13.0 GPM @ 60 PSI
- Extension Available - TVH.4401E**

!
A separate volume control is **not** needed to turn water supply off. Volume control functionality is integrated within this valve.

Technical Diagram

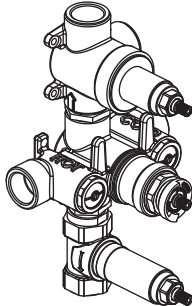


TVH.4501 | Three Output 3/4" Thermostatic Valve Page 1 of 2



SPECIFICATIONS:

- Turn middle knob to control temperature.
- Turn top knob to divert water flow between outlets 1 & 2.
- Turn bottom knob to control water flow of outlet 3.
- Thermostatic Valve Flow Rate - 13.0 GPM @ 60 PSI

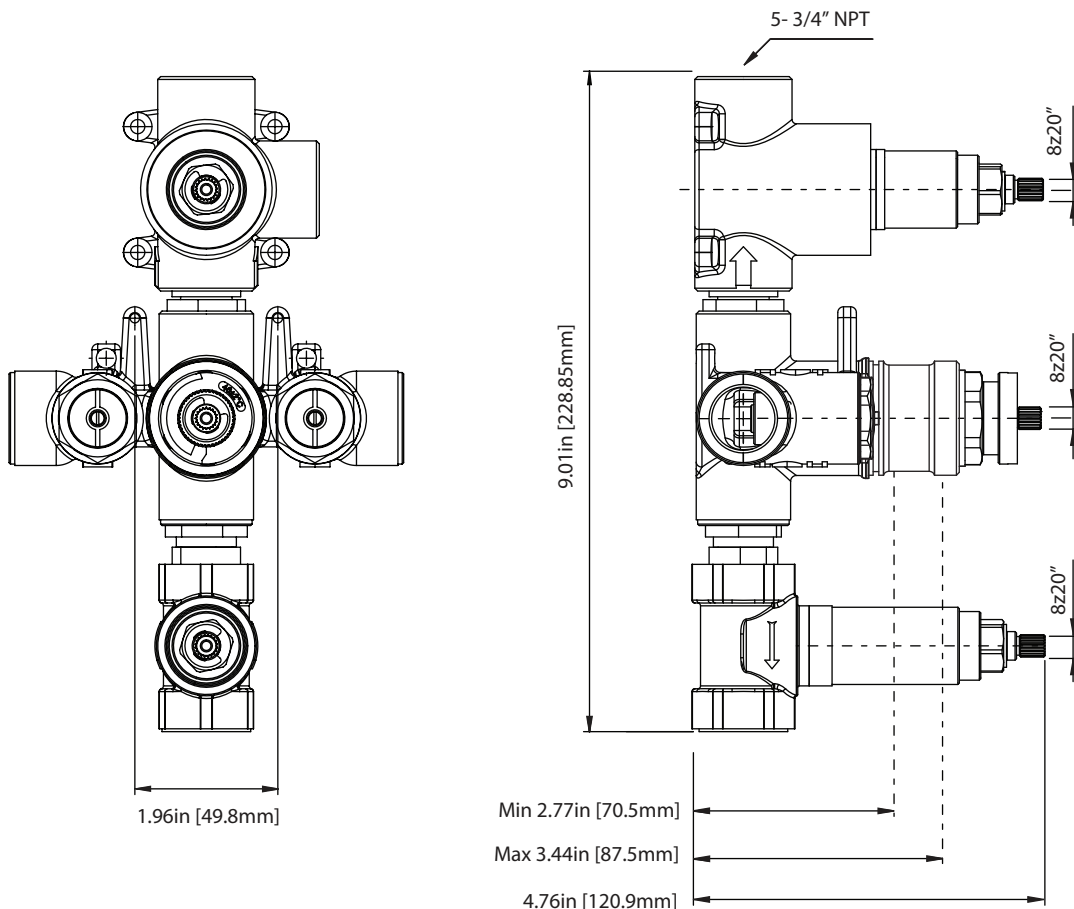


STANDARDS:

- ASME A112.18.1 / CSA B125.1

! A separate volume control is **not** needed to turn water supply off. Volume control functionality is integrated within this valve.

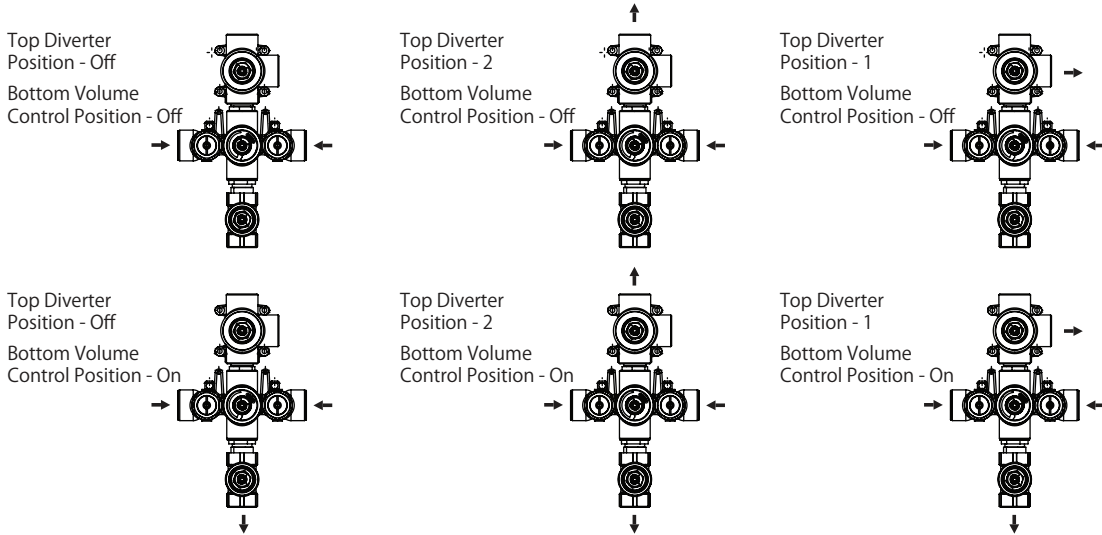
Technical Diagram



TVH.4501 | Three Output 3/4" Thermostatic Valve Page 2 of 2



Water Flow Diagram



OUTPUT OPERATION

TOP HANDLE

Total 3 Positions as defined below, with **only** 1 port active at one time.

- Position 0 - Off - No Water Flow
- Position 1 - Output 1 Activated
- Position 2 - Output 2 Activated

BOTTOM HANDLE

Total 2 Positions as defined below, with **only** 1 port active at one time.

- Position 0 - Off - No Water Flow
- Position 1 - Output 3 Activated

PORT OPERATION

Ports that can be operated simultaneously:

- Output 1 & 3 can be operated simultaneously
- Output 2 & 3 can be operated simultaneously

Ports that cannot be operated simultaneously:

- Output 1 & 2 cannot be operated simultaneously

