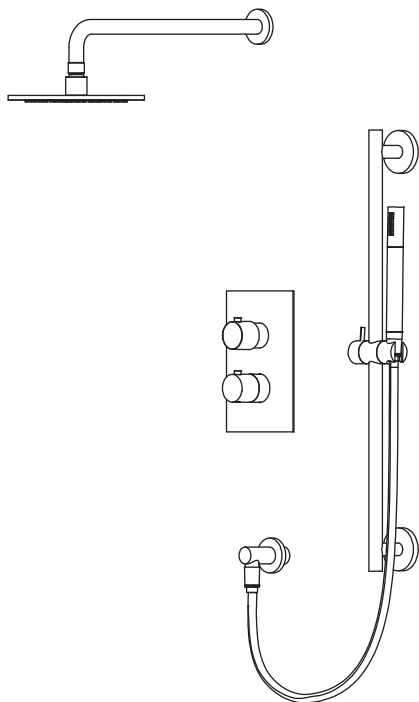


100.7100 | Two Output Shower W/ Rain Hand , Hand Held & Slide Bar



COMPONENTS

- HS1012SA - 16" Shower Arm
- HS1002A - 8" Shower Head
- 100.4000T - Shower Trim
- TVH.4420F - Shower Valve
- HS1004H - Hand Held
- 100.5502 - Wall Elbow
- SP.150EM - 1.5m Hose
- 100.601001A - Slide Bar

SHOWER VALVE:

- Thermostatic shower valve
- Valve includes service stops
- Turn bottom handle to set temp.
- Top handle controls water diversion
- Includes 15109 non-shared cartridge

SHOWER HEAD:

- Solid brass construction
- 1.8 GPM flow rate

HAND HELD W/ SLIDE BAR & ELBOW:

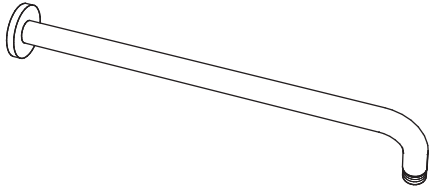
- Solid Brass construction
- Hand held flow rate = 1.8 GPM
- 1/2" female NPT elbow connection
- With back flow prevention check valve

STANDARDS:

- ASME A112.18.1 / CSA B125.1

See individual component specification sheets on following pages for further details.

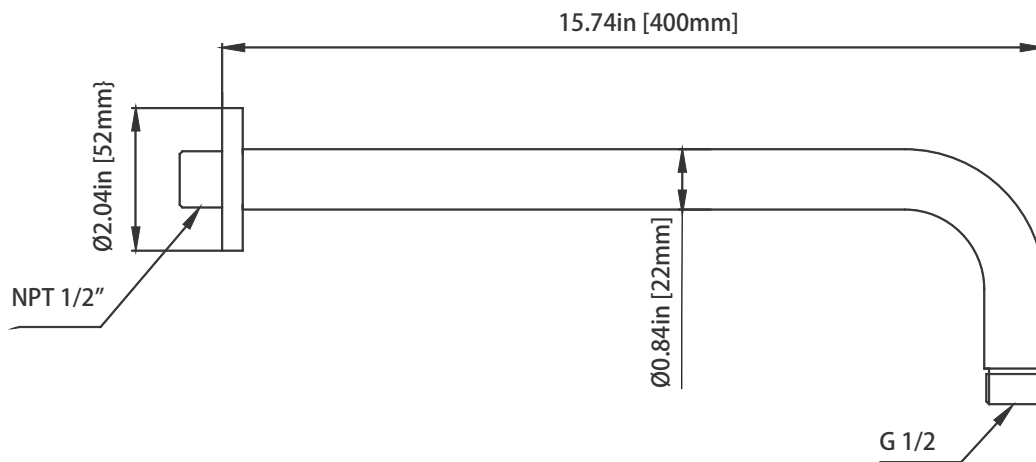
HS1012SA | Round Shower Arm - 400mm - 16"



SPECIFICATIONS:

- Solid Brass Shower Arm
- With Sliding Flange

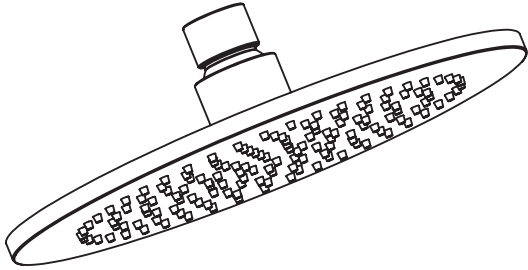
Technical Diagram



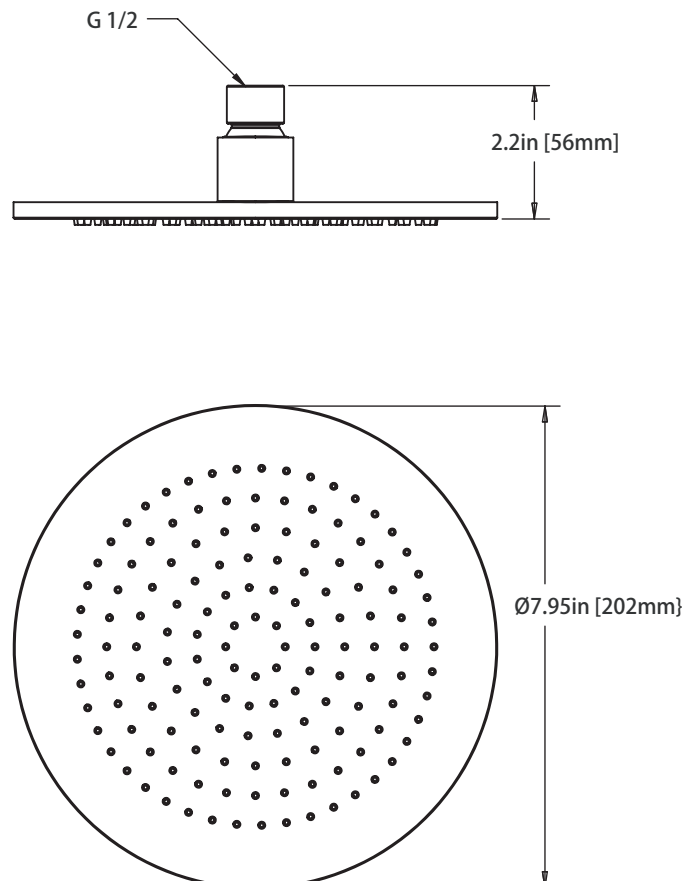
HS1002A | 8" Brass Shower Head

SPECIFICATIONS:

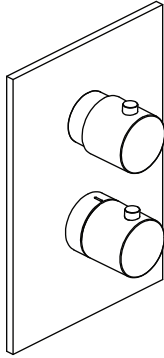
- Solid Brass Shower Head
- Scrub rubber nozzles to easily clean water sediment
- 1.8 GPM Flow Rate



Technical Diagram



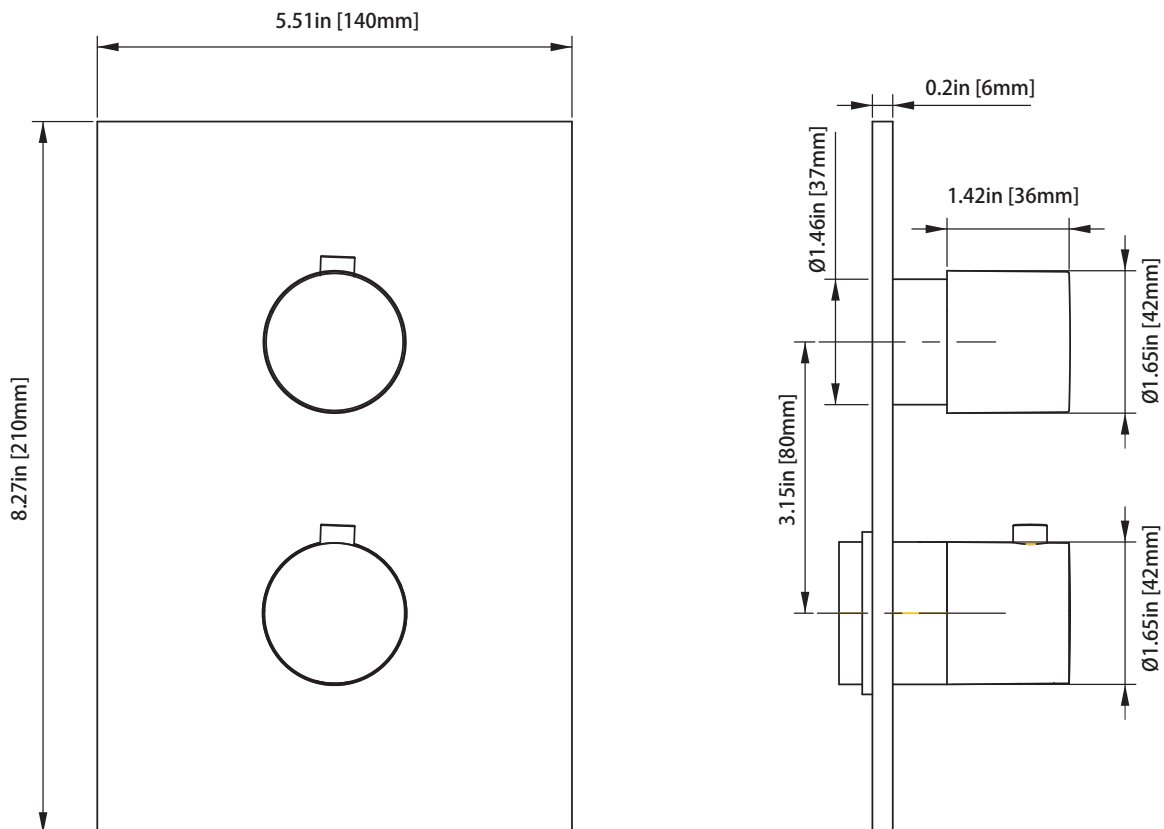
100.4000T | Thermostatic Shower Trim



SPECIFICATIONS:

- Solid Brass construction
- Valve not included - trim only
- Turn bottom handle to control temperature.
- Turn top handle to divert water & control volume

Technical Diagram



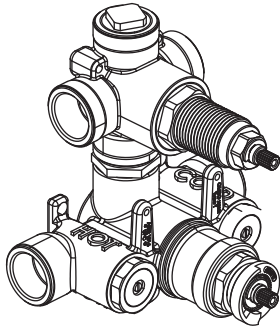
TVH.4420F | 3/4" Thermostatic Valve With 2-Way Diverter & Integrated Volume Control Page 2 of 2

SPECIFICATIONS:

- Turn bottom knob to control temperature.
- Turn top knob to control water flow.
- Thermostatic Valve Flow Rate - 8.0 GPM @ 60 PSI
- Extension Available - TVH.4101E**

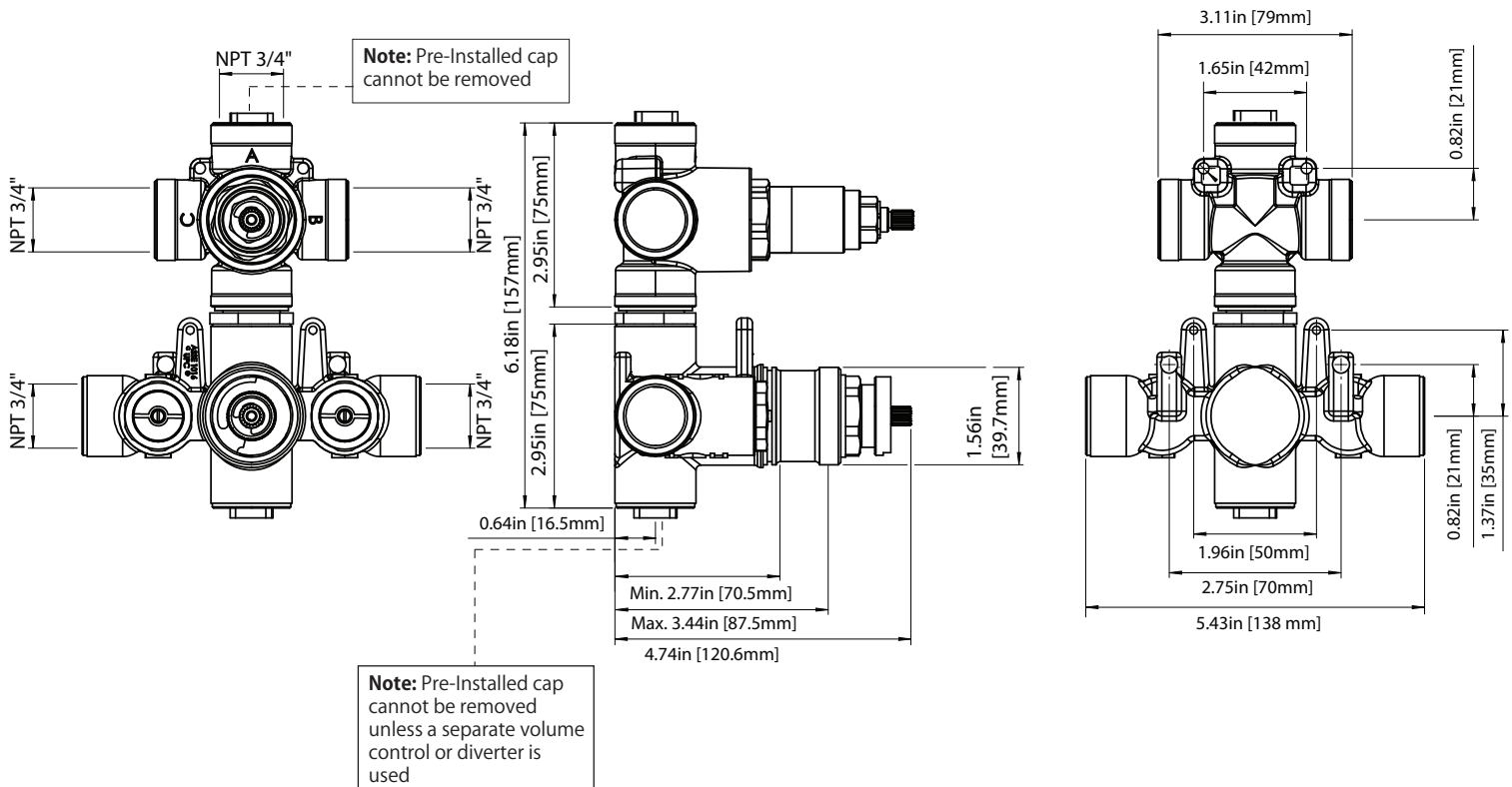
STANDARDS:

- ASME A112.18.1 / CSA B125.1



! A separate volume control is **not** needed to turn water supply off. Volume control functionality is integrated within this valve.

Technical Diagram



TVH.4420F | 3/4" Thermostatic Valve With 2-Way Diverter & Integrated Volume Control Page 2 of 2

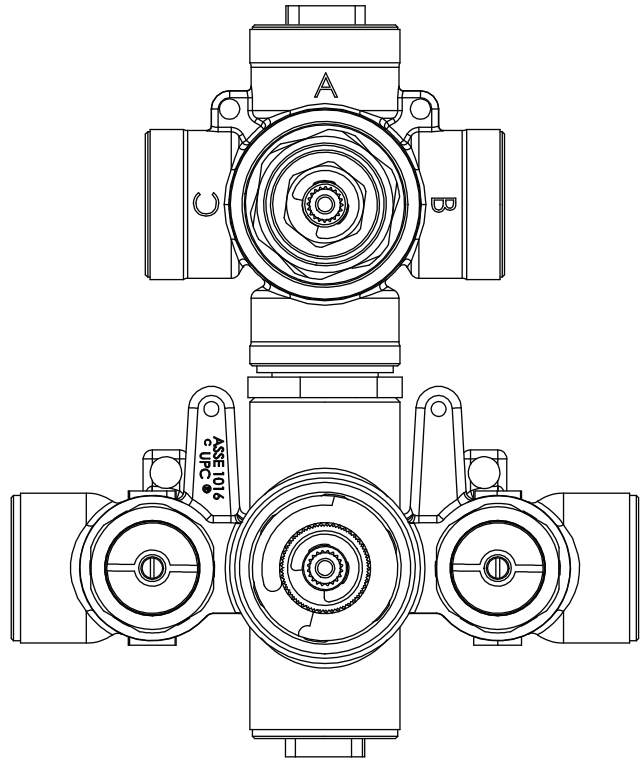


TWO OUTPUT - CAL-GREEN - NO SHARED PORT OPERATION

Diverter Cartridge # - **15109** (Included)

Total 3 Positions as defined below, with **only** 1 port active at one time.

- Position 0 - Off - No Water Flow
- Position 1 - Output B Activated
- Position 2 - Output C Activated



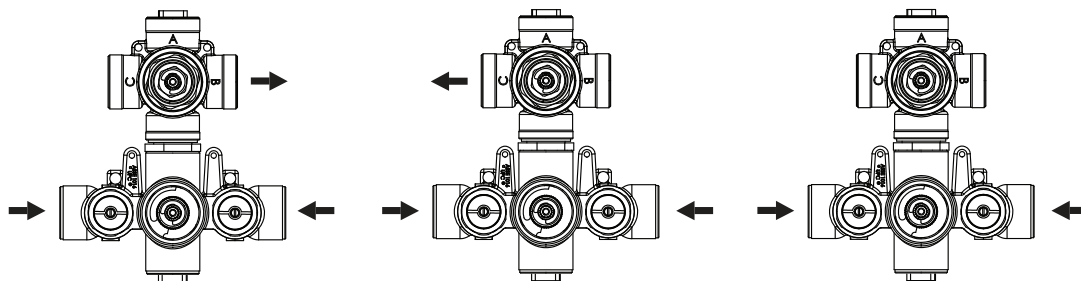
TWO OUTPUT - SHARED PORT OPERATION

Diverter Cartridge # - **15103** (Not Included)

Total 4 Positions as defined below, with 2 ports active at one time.

- Position 0 - Off - No Water Flow
- Position 1 - Output B Activated
- Position 2 - Output B+C Activated
- Position 3 - Output C Activated

Water Diversion Diagram



Diverter Position = 1

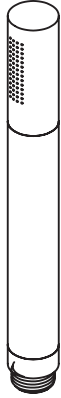
Diverter Position = 2

Diverter Position = off

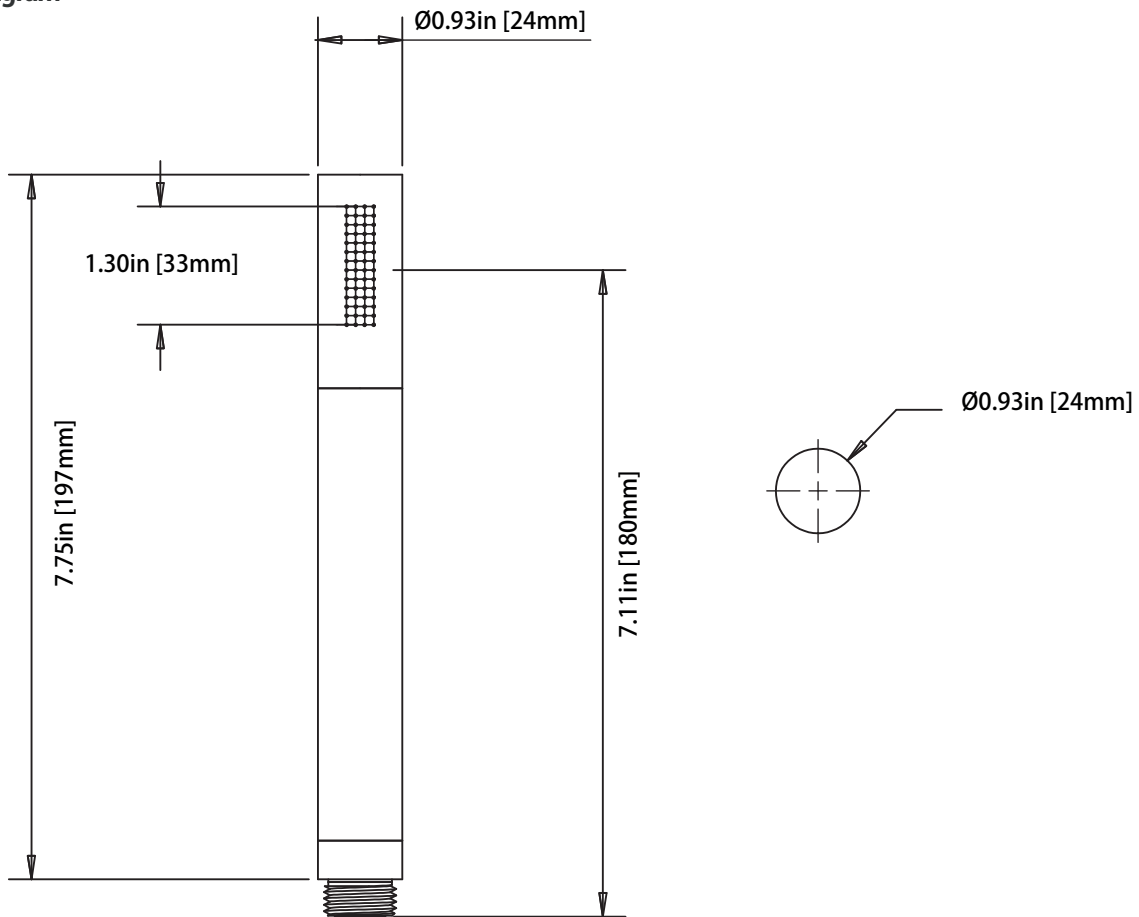
HS1004H | Solid Brass Hand Shower

SPECIFICATIONS:

- Solid Brass Construction
- 1.8 GPM Flow Rate
- With back flow prevention check valve



Technical Diagram

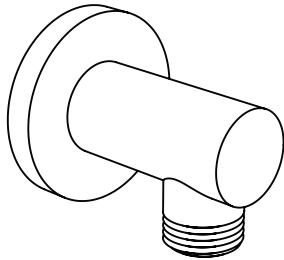


100.5502 | Wall Elbow

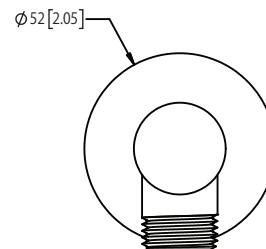
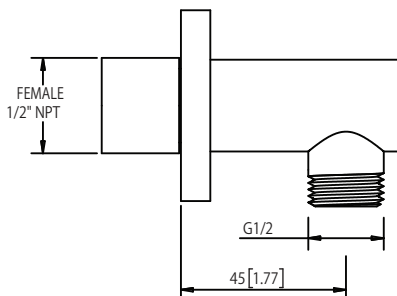
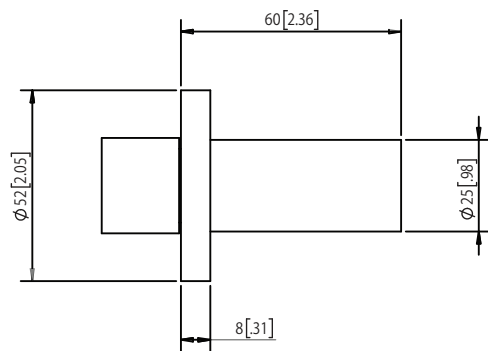


SPECIFICATIONS:

- Solid Brass construction
- 1/2" female connection with adjustment
- Includes check valve with back-flow prevention



Technical Diagram



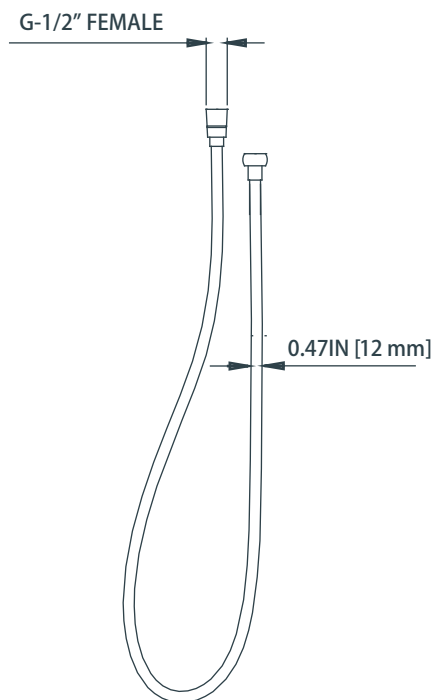
SP.150EM | Easy Maneuver Hose



SPECIFICATIONS:

- Stainless steel construction
- G-1/2" connection
- 1.5m length

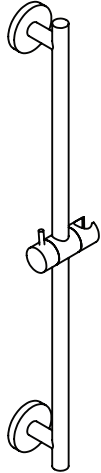
Technical Diagram



100.601001A | Slide Bar

SPECIFICATIONS:

- Solid Brass Construction
- Easy front of wall installation



Technical Diagram

