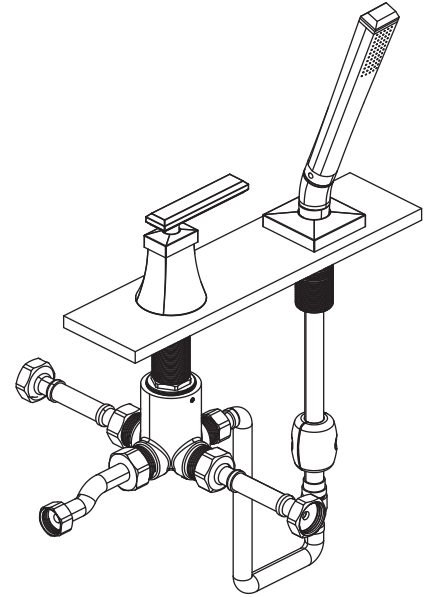


## Installation Manual For 230.1280

### Deck Diverter Trim With Hand Shower



#### NOTICE TO HOMEOWNER

- We recommend that this product is installed by a qualified professional plumber.
- Please check this product immediately to ensure that it has not been damaged and is complete. Before installation, please make sure this product is the correct model and you have all the parts required for installation and use.
- Please flush the water system to ensure that no metal swarf, solder, and other impurities can enter the product.
- Turn off water supply before commencing work.
- Please read these instructions carefully and retain for future reference.

#### BEFORE YOU BEGIN

- You must observe all local plumbing laws and codes.
- Do not install this valve if it does not meet local plumbing codes.
- Shut off the main water supply.

## Installation Manual For 230.1280

### Deck Diverter Trim With Hand Shower

#### TABLE OF CONTENTS

|   |   |
|---|---|
| • OPERATING SPECIFICATIONS . . . . .              | 1 |
| • INSTALLING THE HAND HELD & HOSES . . . . .      | 2 |
| • INSTALLING THE DECK DIVERTER AND TRIM . . . . . | 3 |
| • HOSE INSTALLATION . . . . .                     | 7 |
| • CARTRIDGE REPLACEMENT . . . . .                 | 7 |

## OPERATING SPECIFICATIONS

### WATER TEMPERATURE



This product is to be used with water at a temperature range of 40°F - 120°F ONLY!

### WATER PRESSURE

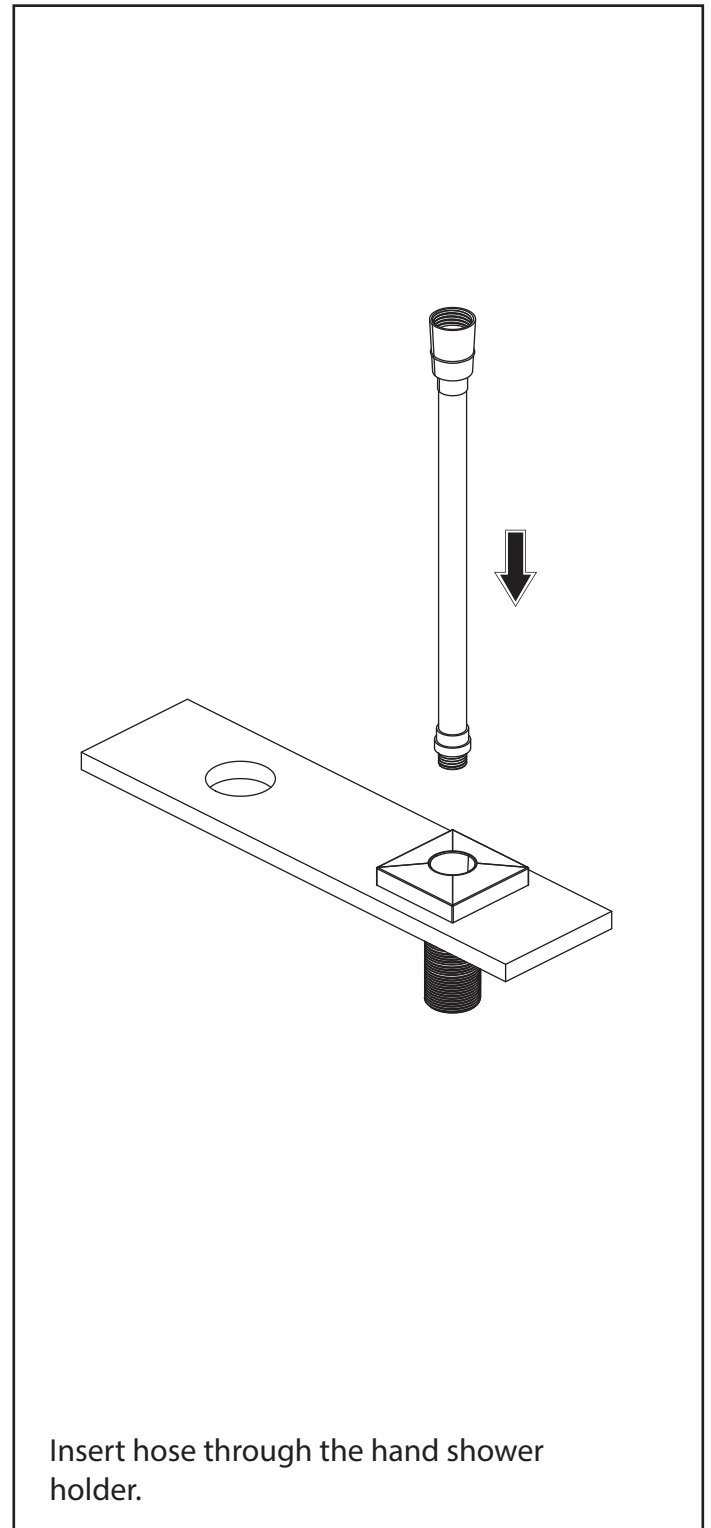
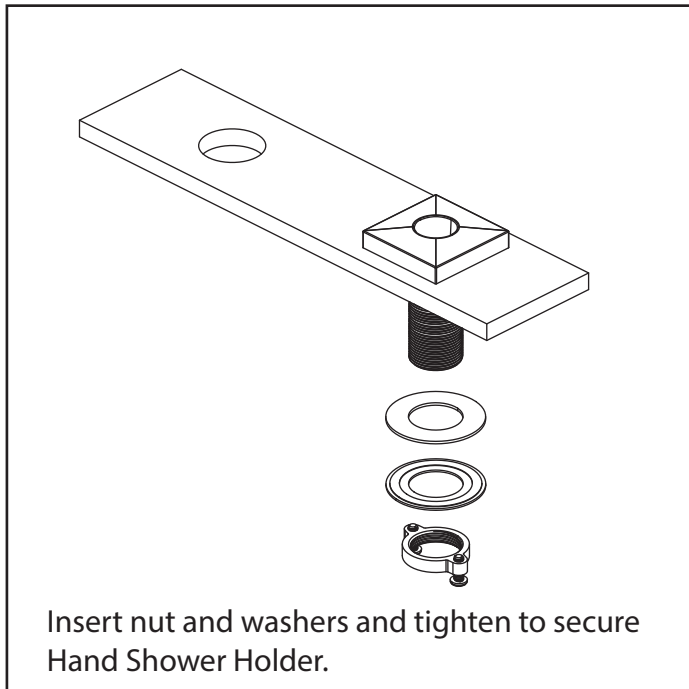


This product is to be used with a water pressure range of 15 PSI to 80 PSI ONLY

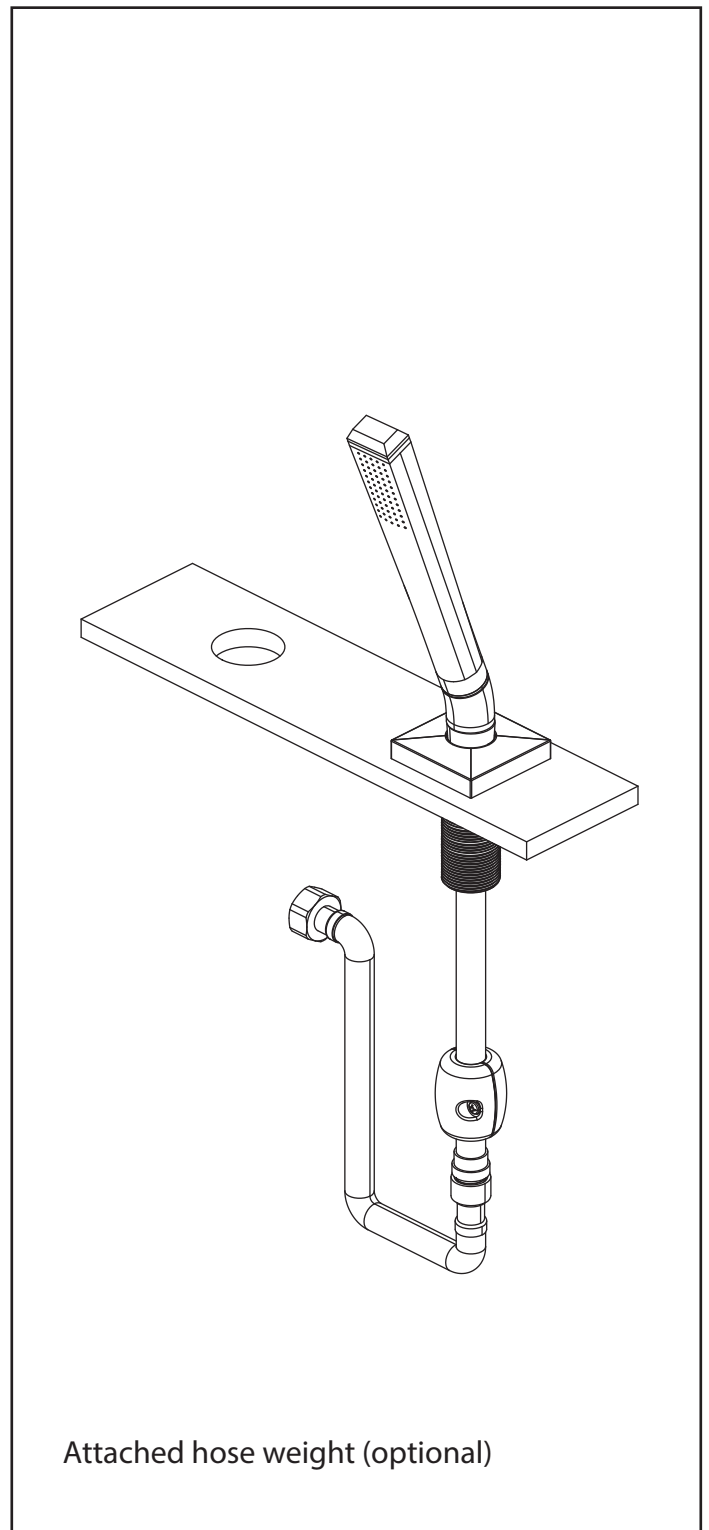
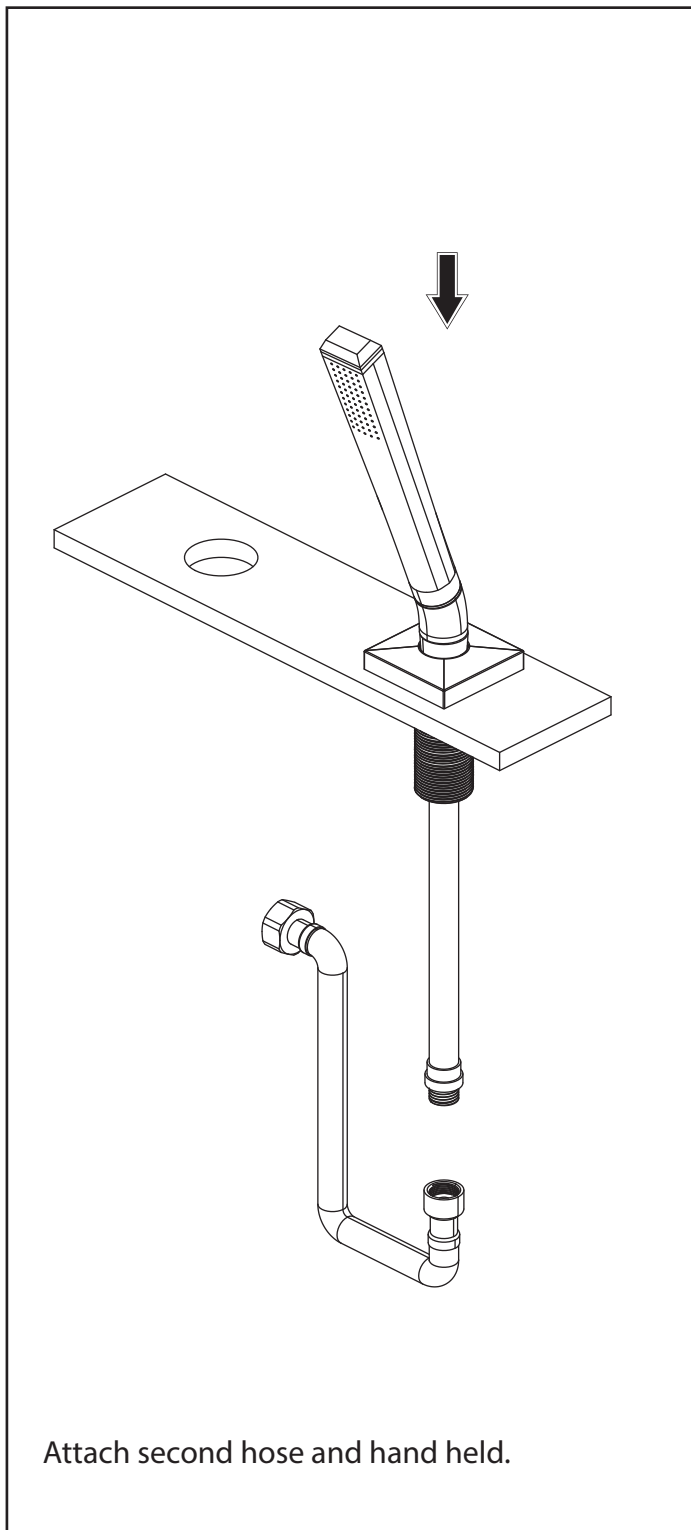
If water pressure is greater than 80 PSI install a pressure reducing valve (PRV)

This valve meets or exceeds ANSI A112.18.1 and ASSE 1016

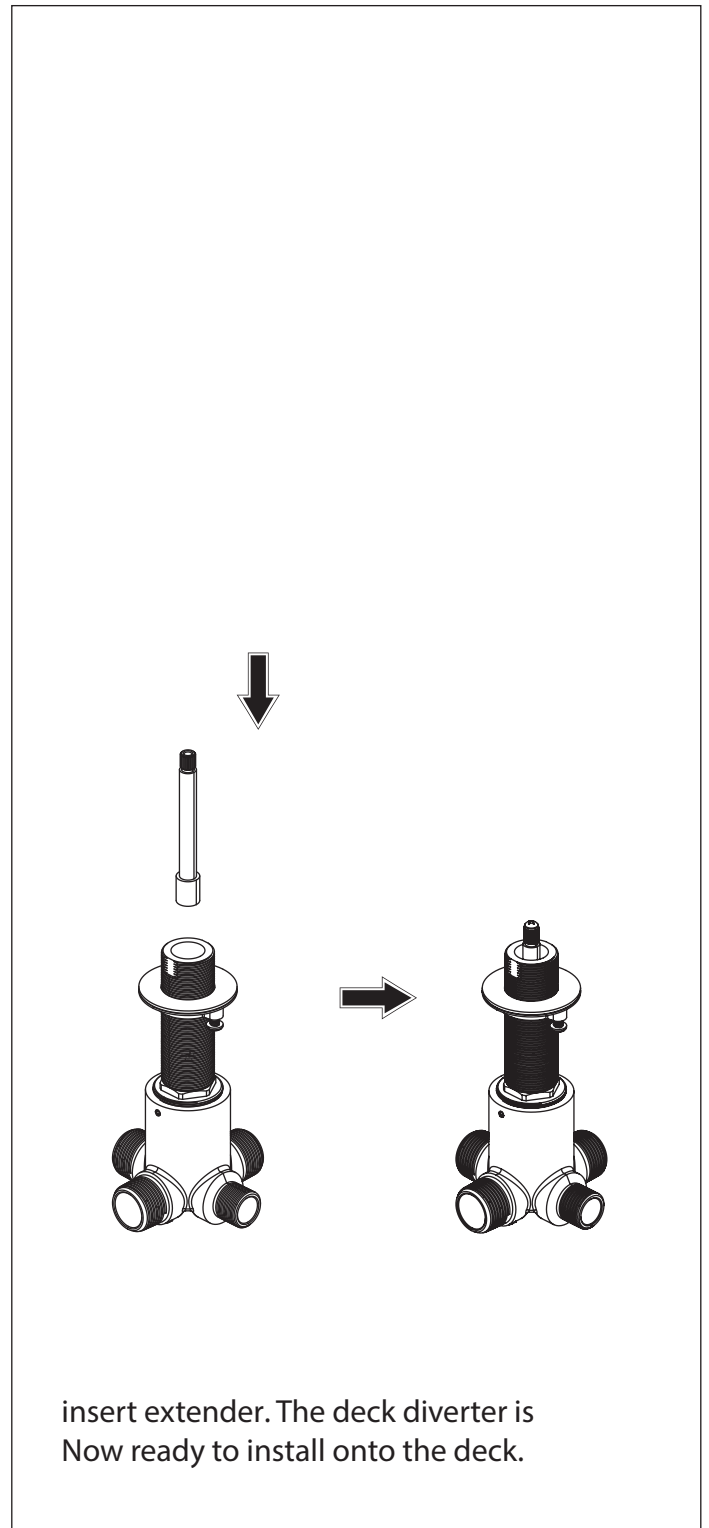
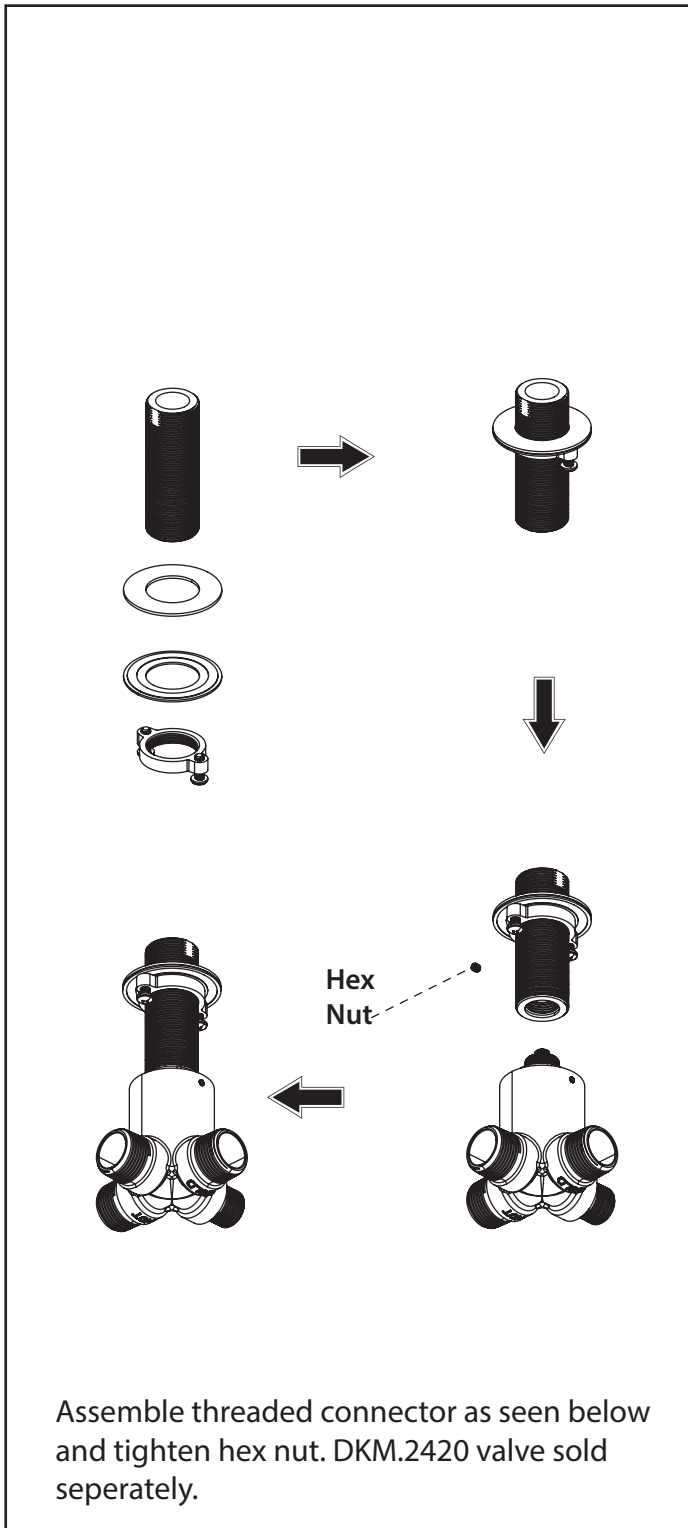
## INSTALLING THE HAND HELD & HOSE



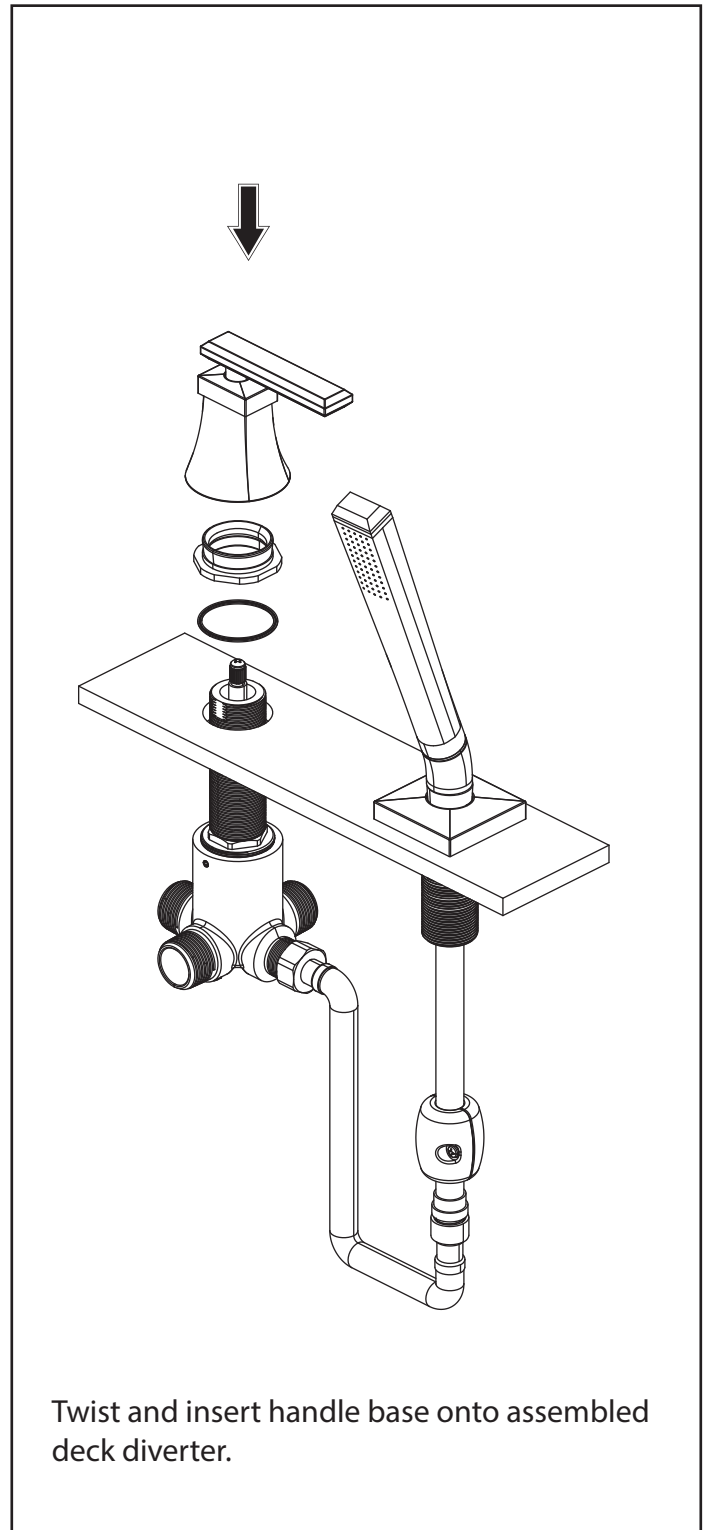
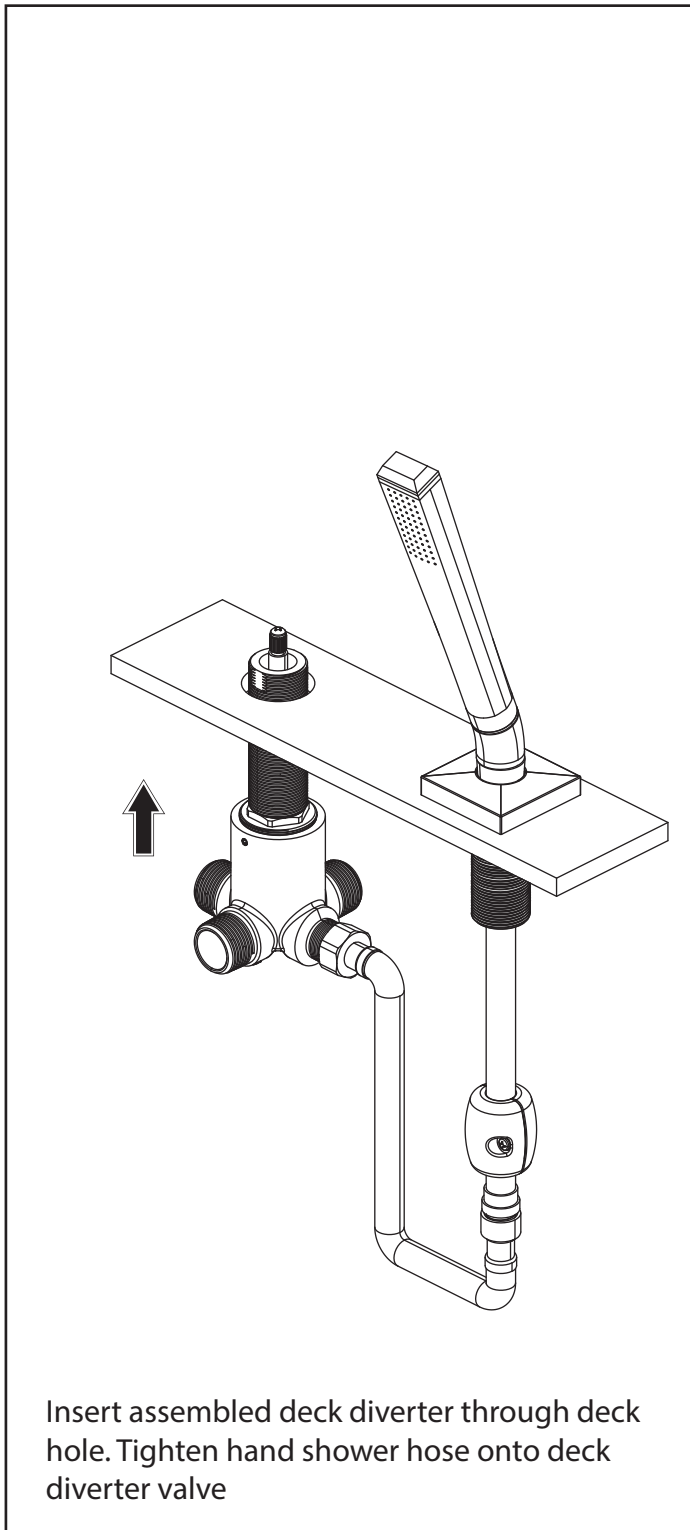
## INSTALLING THE HAND HELD & HOSE



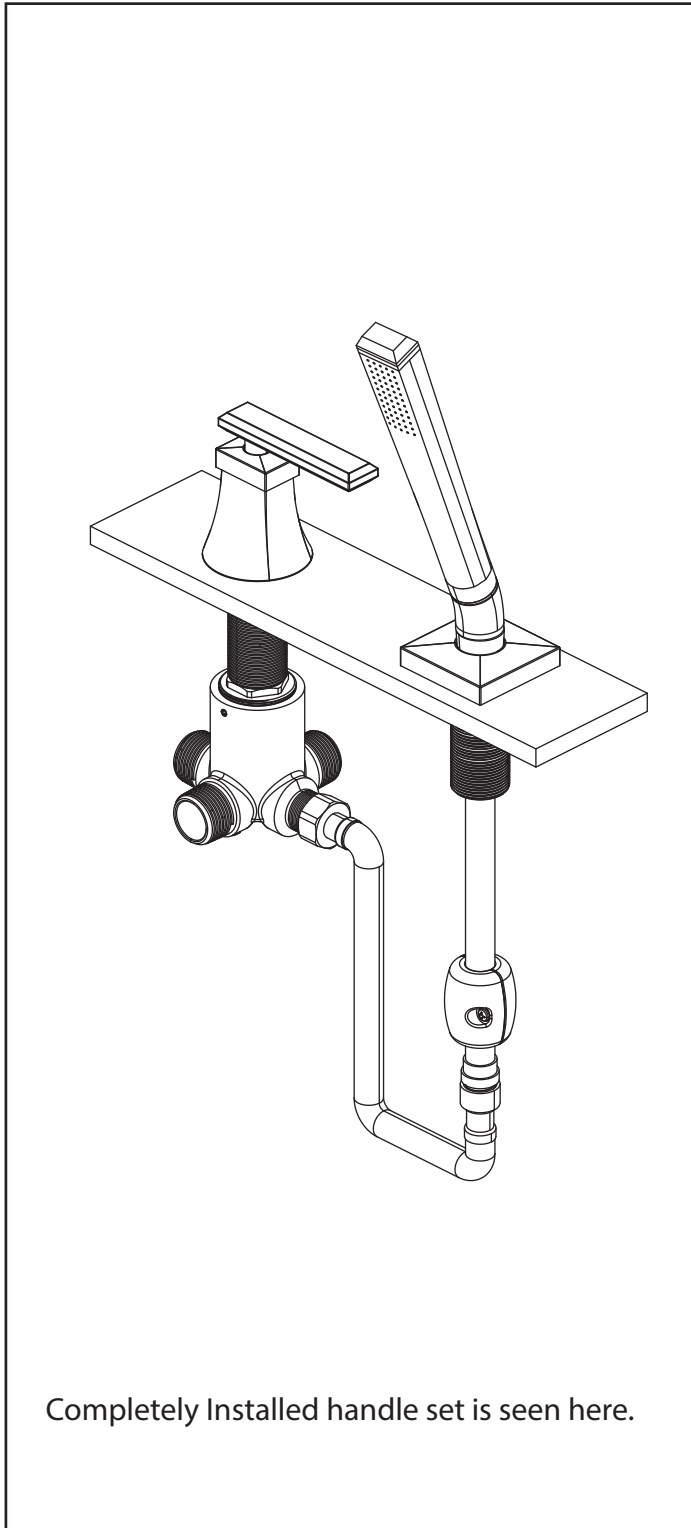
## INSTALLING THE DECK DIVERTER AND TRIM



## INSTALLING THE DECK DIVERTER AND TRIM

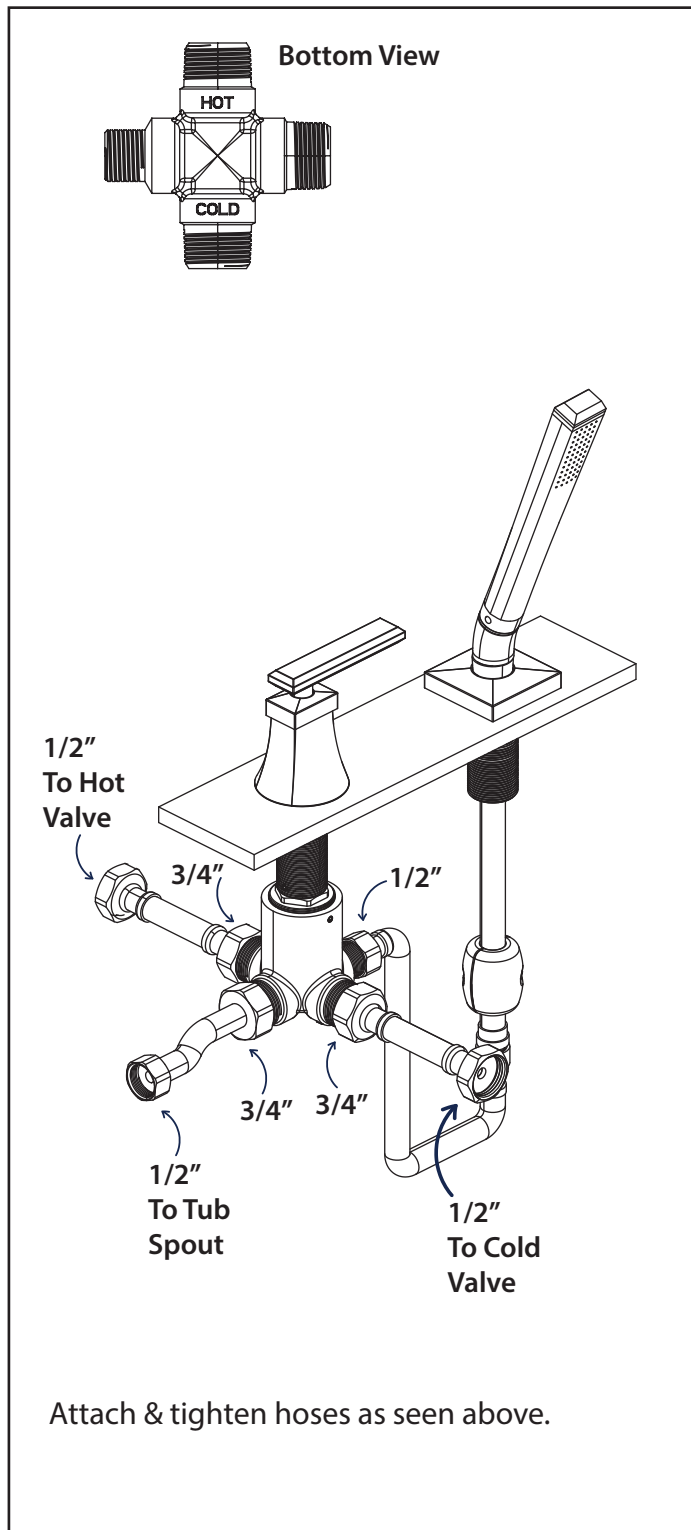


## INSTALLING THE DECK DIVERTER AND TRIM





## HOSE INSTALLATION



## CARTRIDGE REPLACEMENT

