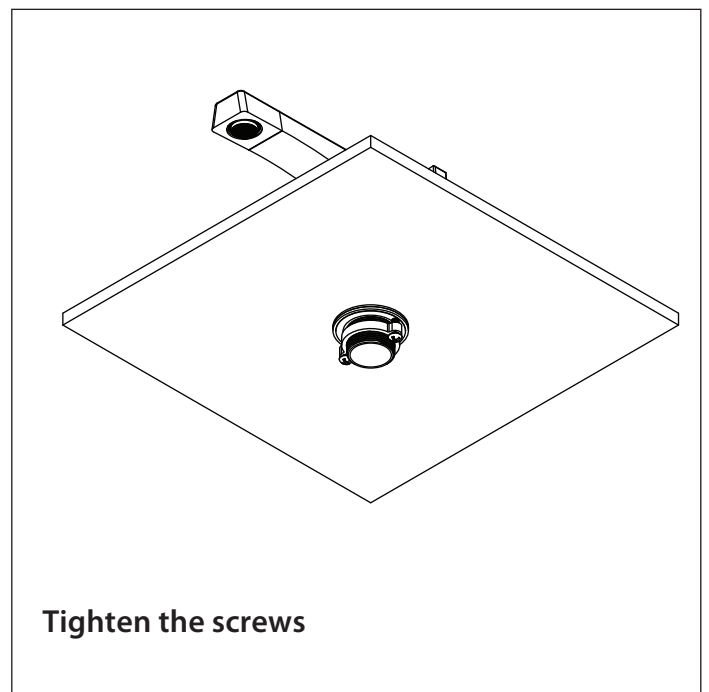
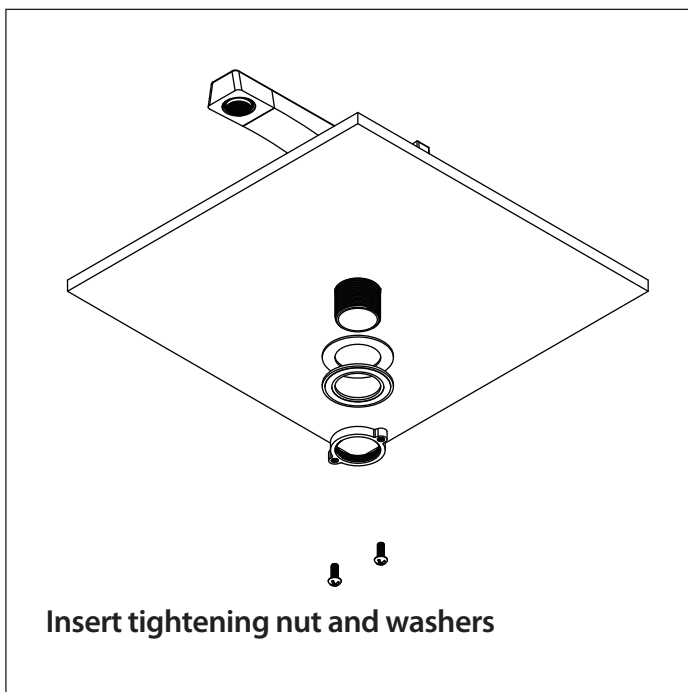
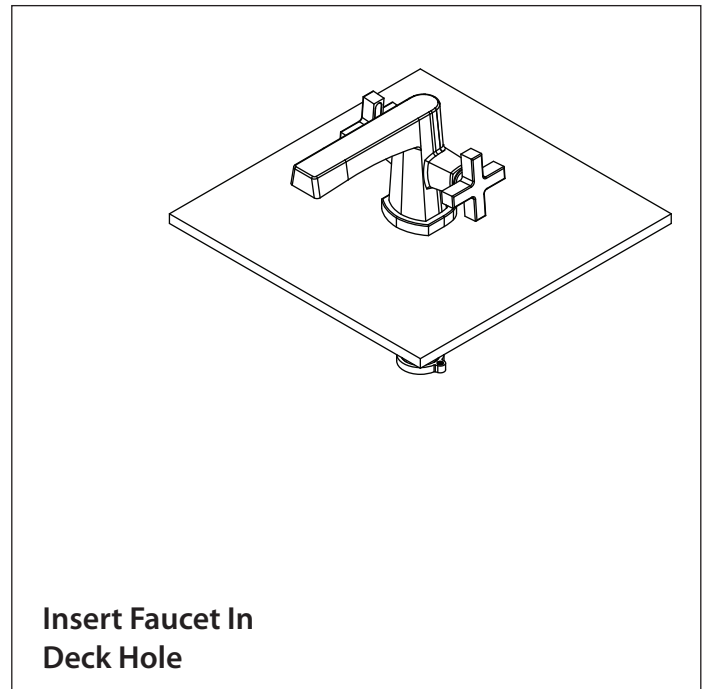
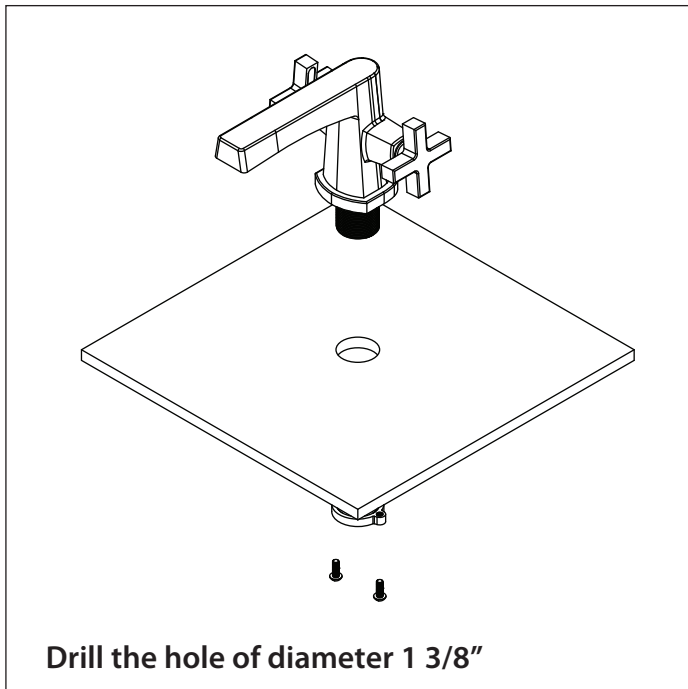




## INSTALLING THE SINGLE HOLE FAUCET



## INSTALLING THE SINGLE HOLE FAUCET

