

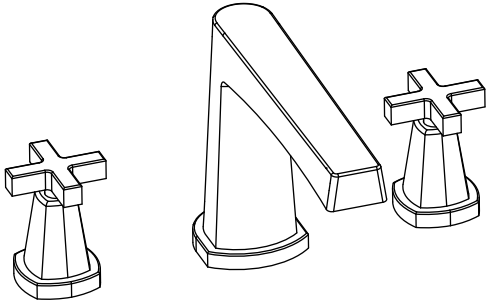
**240.2410 | 3-Hole Deck Mounted Roman Tub Filler**

**SPECIFICATIONS:**

- Solid Brass construction
- Three Hole Installation
- Flow Rate = 11.0 GPM @ 60 PSI
- Ceramic disc cartridge allows volume control

**STANDARDS:**

- ASME A112.18.1 / CSA B125.1



**Technical Diagram**

