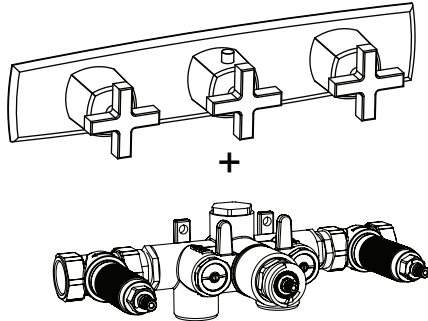


240.2715 | 3/4" Horizontal Thermostatic Valve + Trim With Two Volume Controls - For Tub or Shower Applications



SPECIFICATIONS:

- Solid Brass construction
- Two output
- Center knob controls temperature
- Left and right knob controls volume
- Use in tub filler or shower applications
- Thermostatic Valve Flow Rate - 8.0 GPM @ 60 PSI

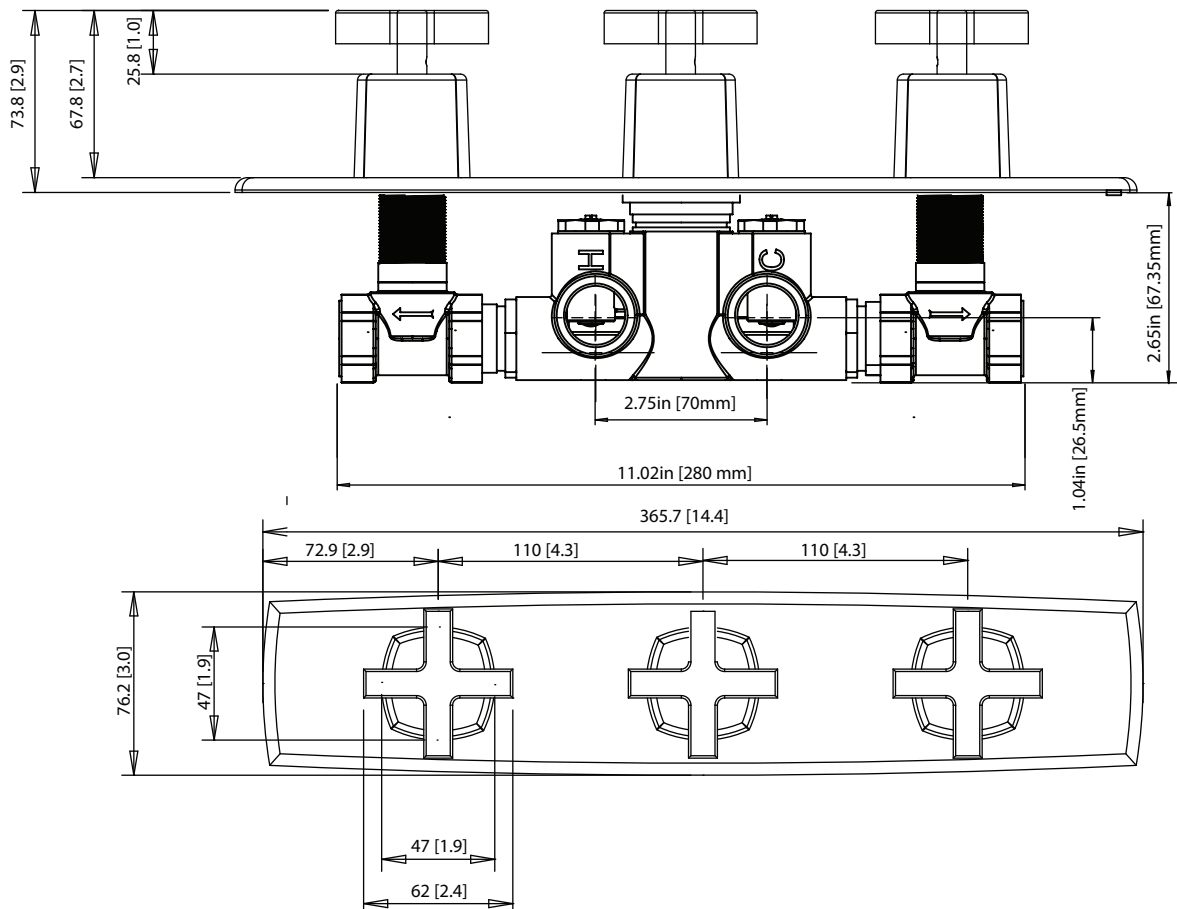
STANDARDS:

- ASME A112.18.1 / CSA B125.1

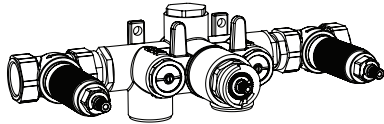
196.2715 = Includes Valve [TVH.2715] + Trim [240.2715T**]

! See Spec Sheet For TVH.2715 For Detailed Information On Valve.

Technical Diagram



TVH.2715 | 3/4" Horizontal Thermostatic Valve With Two Volume Controls - For Tub or Shower Applications



SPECIFICATIONS:

- Solid Brass construction
- Two output
- Center knob controls temperature
- Left and right knob controls volume
- Use in tub filler or shower applications
- Thermostatic Valve Flow Rate - 8.0 GPM @ 60 PSI
- Extension Available - TVH.4401E**

STANDARDS:

- ASME A112.18.1 / CSA B125.1

Technical Diagram

