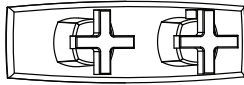
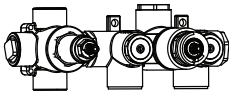


240.2717 | 3/4" Thermostatic Valve With 2-Way Diverter & Integrated Volume Control



+



SPECIFICATIONS:

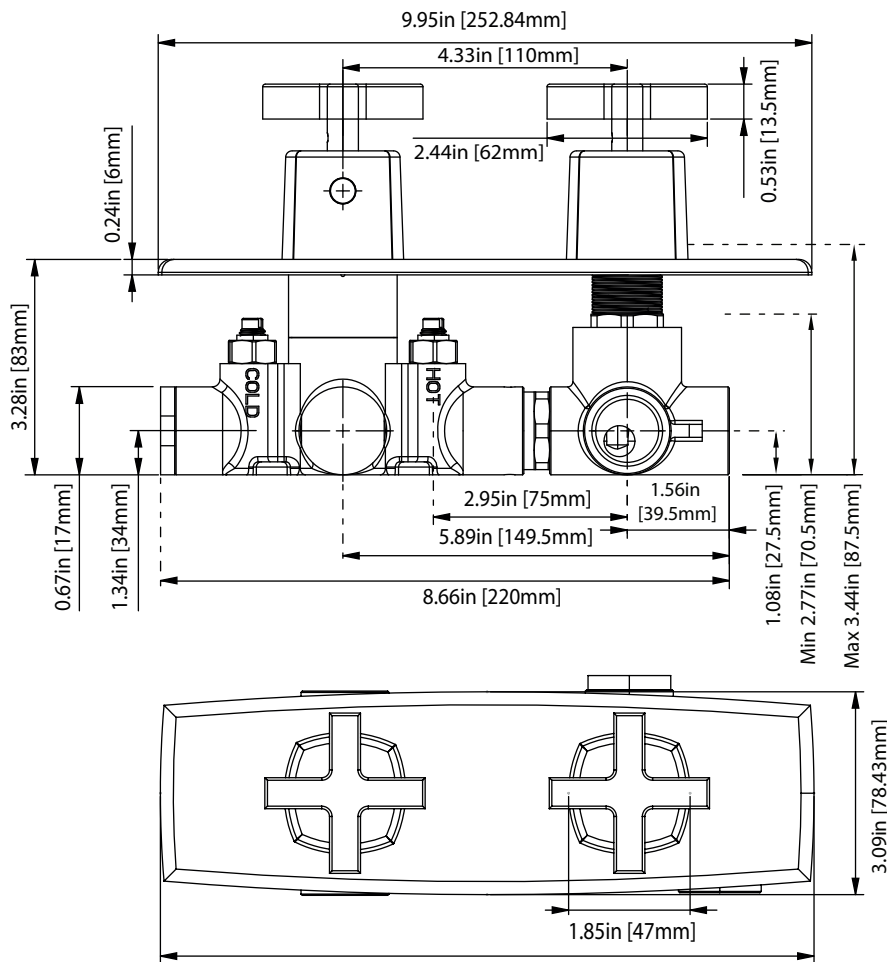
- Turn right knob to control temperature.
- Turn left knob to control water flow.
- Thermostatic Valve Flow Rate - 8.0 GPM @ 60 PSI
- Extension Available - TVH.4101E**
- 2 Output

STANDARDS:

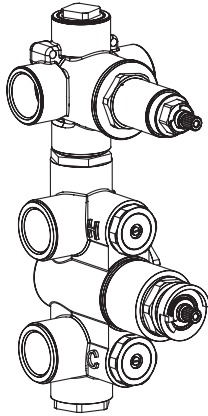
- ASME A112.18.1 / CSA B125.1

Valve [TVH.2717F] + Trim [240.2693T**]

Technical Diagram



TVH.2717F | 3/4" Thermostatic Valve With 2-Way Diverter & Integrated Volume Control Page 1 of 2



SPECIFICATIONS:

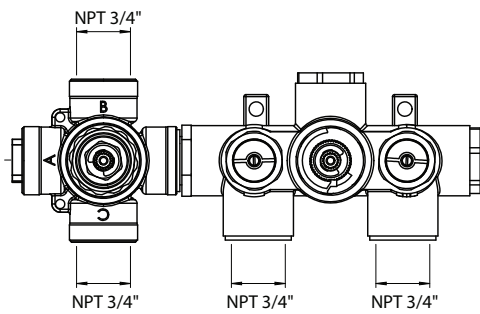
- Turn bottom knob to control temperature.
- Turn top knob to control water flow.
- Thermostatic Valve Flow Rate - 8.0 GPM @ 60 PSI
- Extension Available - TVH.4101E**

STANDARDS:

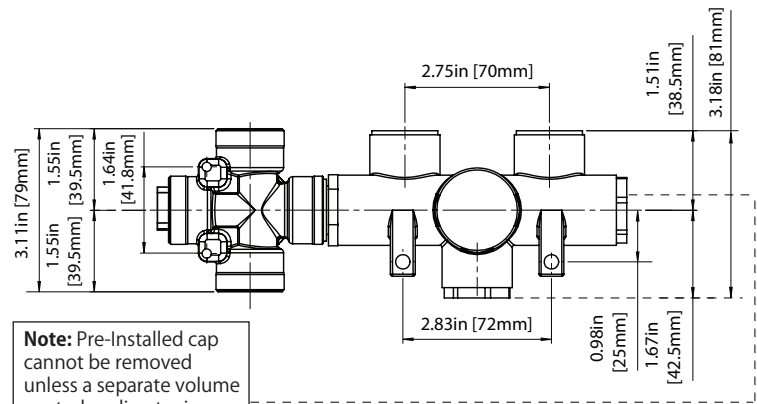
- ASME A112.18.1 / CSA B125.1

! A separate volume control is **not** needed to turn water supply off. Volume control functionality is integrated within this valve.

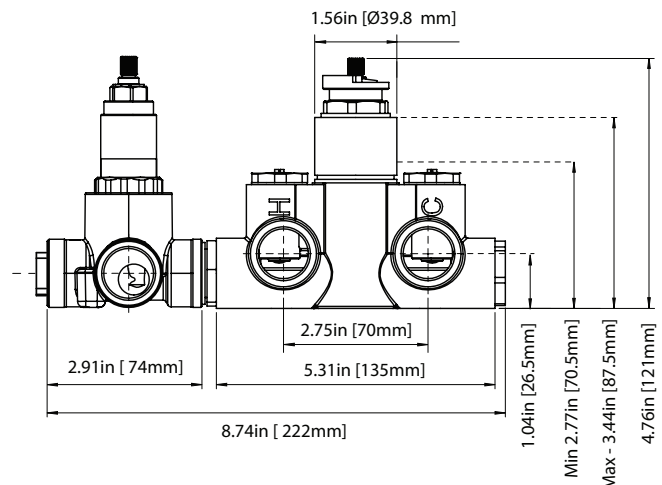
Technical Diagram



Note: Pre-Installed cap cannot be removed



Note: Pre-Installed cap cannot be removed unless a separate volume control or diverter is used



TVH.2717F | 3/4" Thermostatic Valve With 2-Way Diverter & Integrated
Volume Control Page 2 of 2

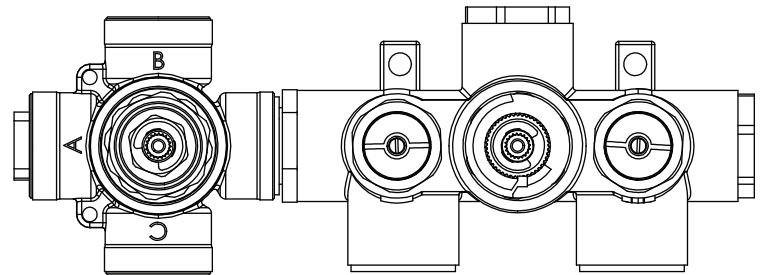


TWO OUTPUT - CAL-GREEN - NO SHARED PORT OPERATION

Diverter Cartridge # - **15109** (Included)

Total 3 Positions as defined below, with **only** 1 port active at one time.

- Position 0 - Off - No Water Flow
- Position 1 - Output B Activated
- Position 2 - Output C Activated



TWO OUTPUT - SHARED PORT OPERATION

Diverter Cartridge # - **15103** (Not Included)

Total 4 Positions as defined below, with 2 ports active at one time.

- Position 0 - Off - No Water Flow
- Position 1 - Output B Activated
- Position 2 - Output B+C Activated
- Position 3 - Output C Activated