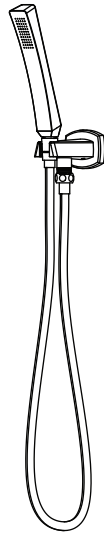
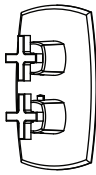


240.7050 | Two Output Shower W/ Rain Head & Hand Held



COMPONENTS

- RHW.7C - 7" Head w/ 8" Arm
- 240.4000T - Shower Trim
- TVH.4420F - Shower Valve
- HS1026H - Hand Held
- 240.8006 - Wall Elbow w/ Holder
- SP.150EM - 1.5m Hose

SHOWER VALVE:

- Thermostatic shower valve
- Valve includes service stops
- Turn bottom handle to set temp.
- Top handle controls water diversion
- Includes 15109 non-shared cartridge

SHOWER HEAD:

- Solid brass construction
- 1.8 GPM flow rate

HAND HELD:

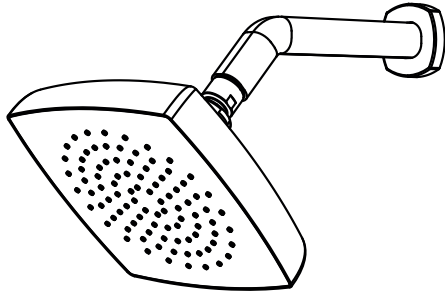
- Solid Brass construction
- 1.8 GPM flow rate
- 1/2" female NPT connection
- With back flow prevention check valve

STANDARDS:

- ASME A112.18.1 / CSA B125.1

See individual component specification sheets on following pages for further details.

RHW.7C | 7" Brass Shower Head With 8" Wall Mount Shower Arm



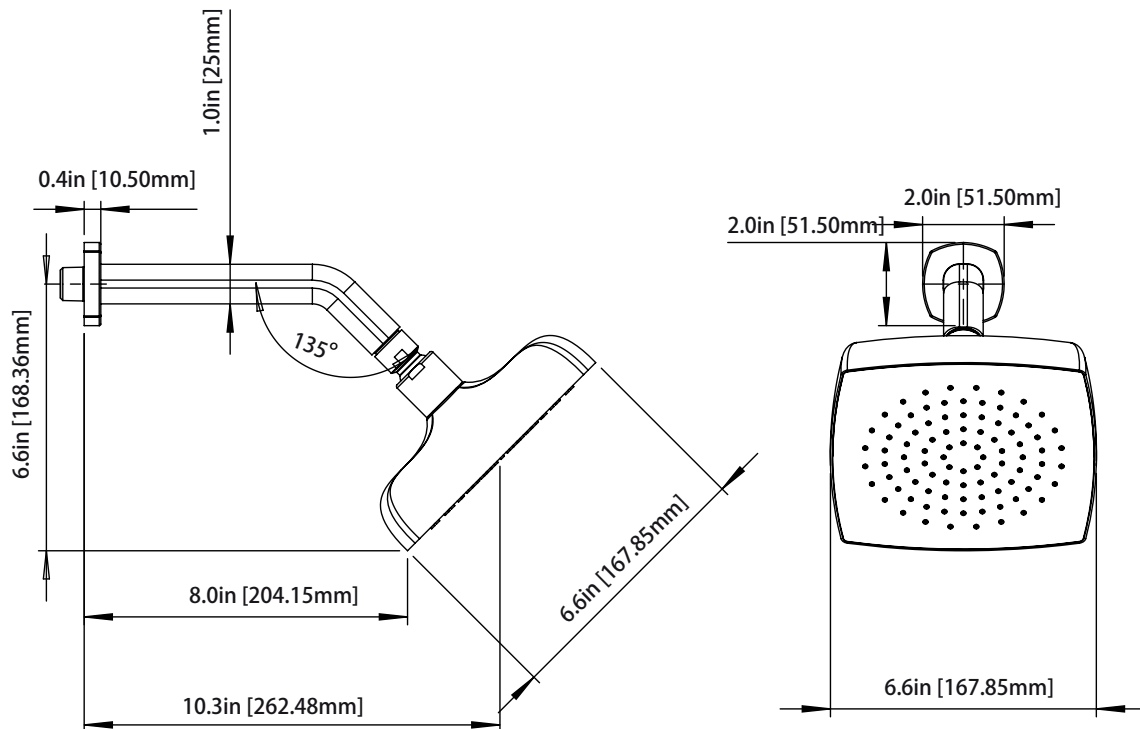
SPECIFICATIONS:

- Solid Brass construction
- With Swivel action
- Shower arm has sliding flange

STANDARDS:

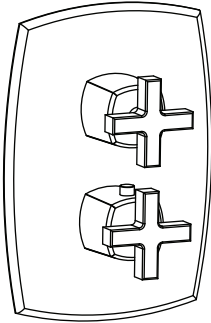
- ASME A112.18.1 / CSA B125.1

Technical Diagram



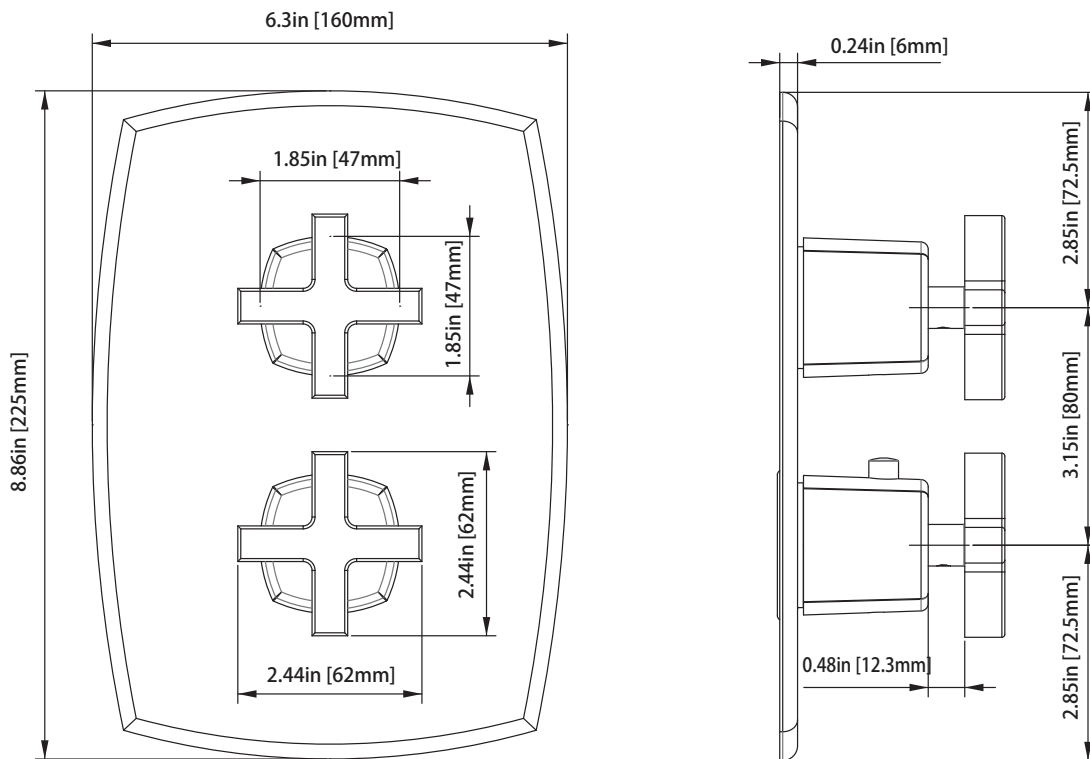
240.4000T | Thermostatic Shower Trim

SPECIFICATIONS:

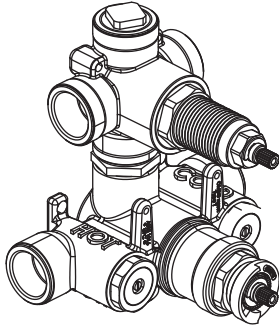


- Solid Brass Construction
- Valve not included - Trim only
- Turn bottom handle to control temperature.
- Turn top handle to control volume.

Technical Diagram



TVH.4420F | 3/4" Thermostatic Valve With 2-Way Diverter & Integrated Volume Control Page 2 of 2



SPECIFICATIONS:

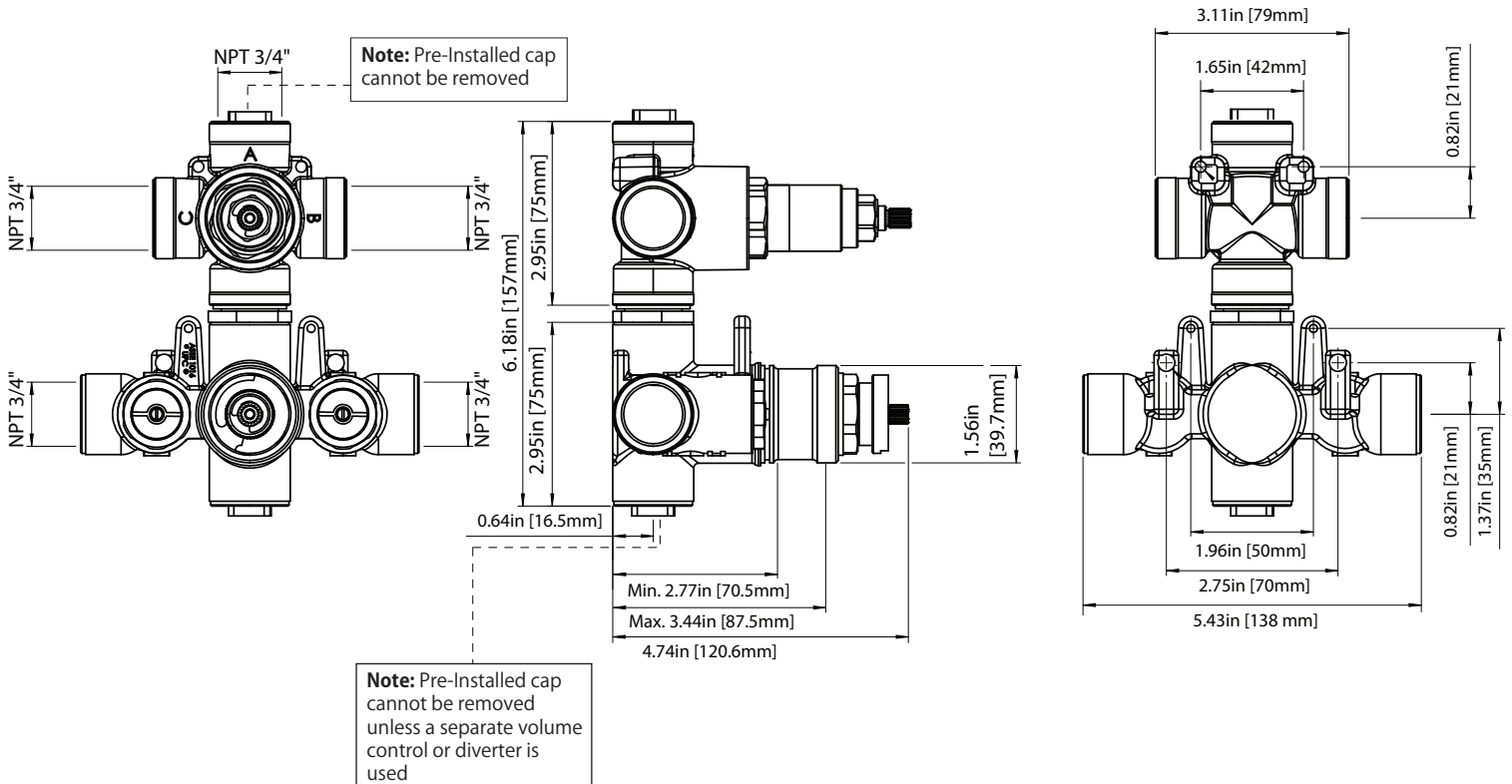
- Turn bottom knob to control temperature.
- Turn top knob to control water flow.
- Thermostatic Valve Flow Rate - 8.0 GPM @ 60 PSI
- Extension Available - TVH.4101E**

STANDARDS:

- ASME A112.18.1 / CSA B125.1

! A separate volume control is **not** needed to turn water supply off. Volume control functionality is integrated within this valve.

Technical Diagram



TVH.4420F | 3/4" Thermostatic Valve With 2-Way Diverter & Integrated Volume Control Page 2 of 2



TWO OUPUT - CAL-GREEN - NO SHARED PORT OPERATION

Diverter Cartridge # - **15109** (Included)

Total 3 Positions as defined below, with **only** 1 port active at one time.

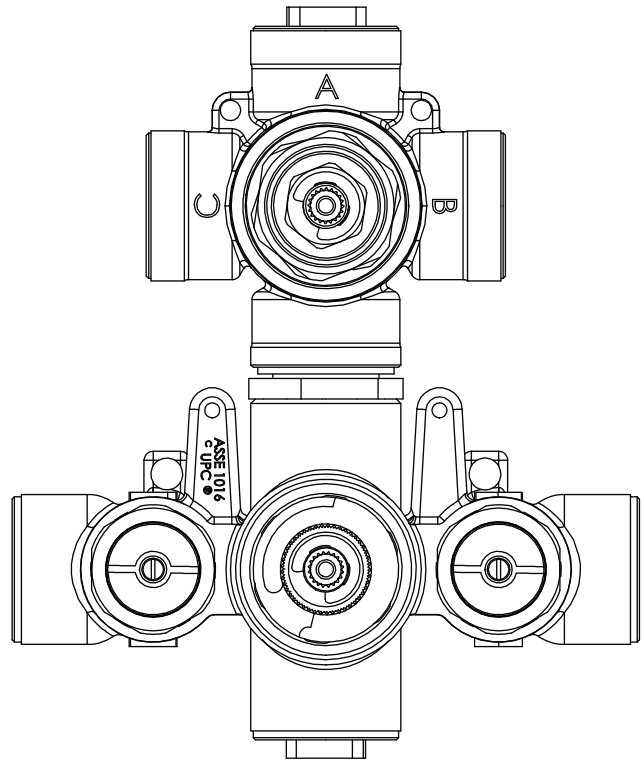
- Position 0 - Off - No Water Flow
- Position 1 - Output B Activated
- Position 2 - Output C Activated

TWO OUPUT - SHARED PORT OPERATION

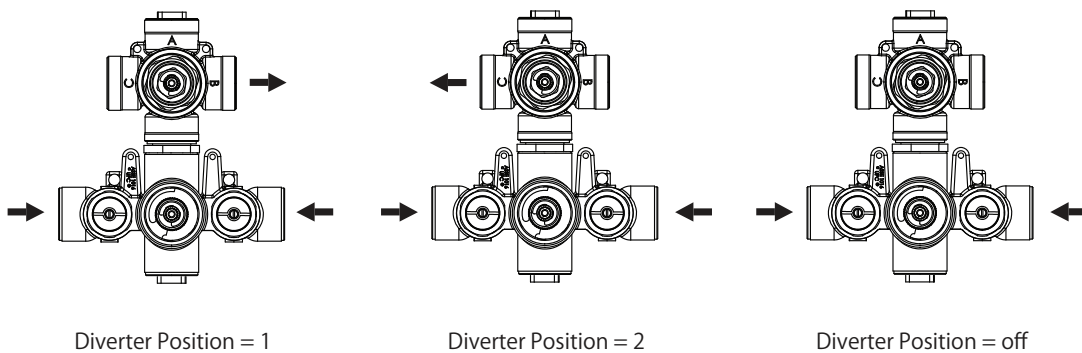
Diverter Cartridge # - **15103** (Not Included)

Total 4 Positions as defined below, with 2 ports active at one time.

- Position 0 - Off - No Water Flow
- Position 1 - Output B Activated
- Position 2 - Output B+C Activated
- Position 3 - Output C Activated



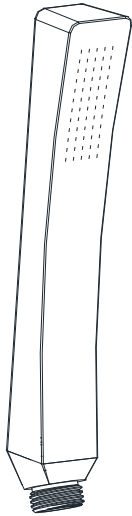
Water Diversion Diagram



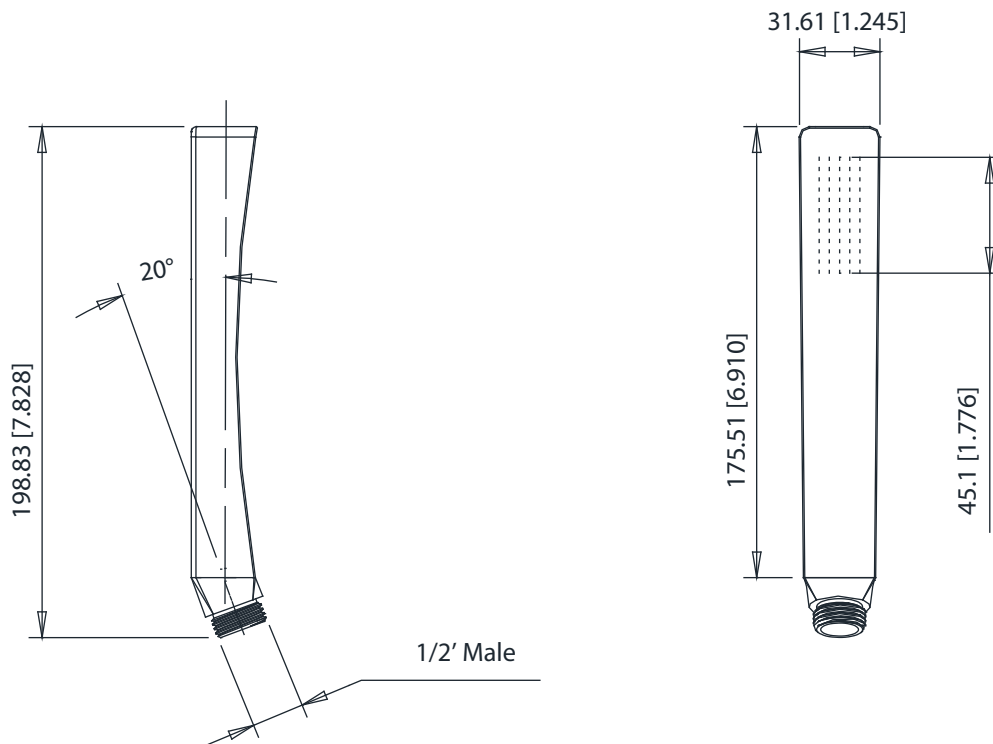
HS1026H | Solid Brass Hand Shower

SPECIFICATIONS:

- Solid Brass Construction
- 1.8 GPM Flow Rate
- With back flow prevention check valve



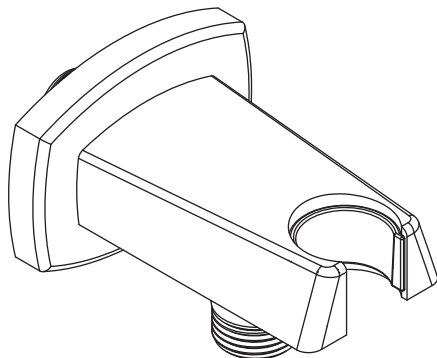
Technical Diagram



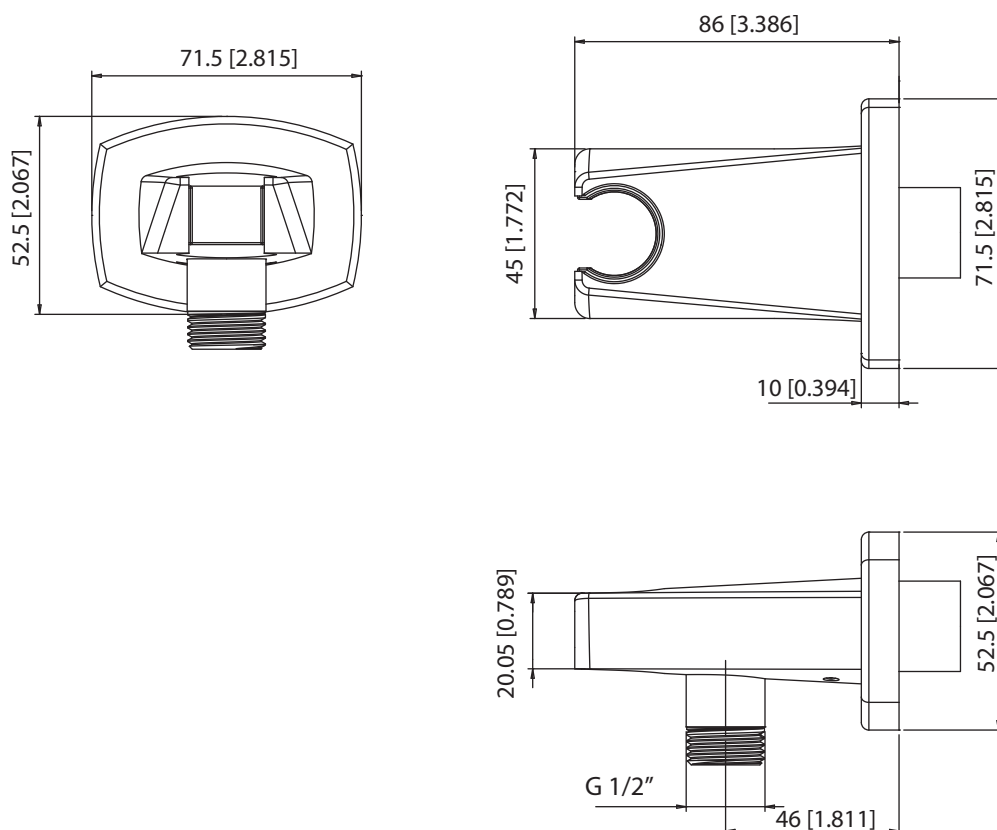
240.8006 | Wall Elbow With Holder Combo

SPECIFICATIONS:

- Solid Brass Construction
- Includes Check Valve with back flow prevention.



Technical Diagram



SP.150EM | Easy Maneuver Hose



SPECIFICATIONS:

- ☒ Stainless steel construction
- ☒ G-1/2" connection
- ☒ 1.5m length

Technical Diagram

