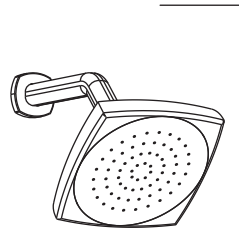


Product Parts Breakdown

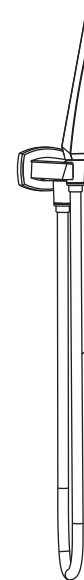
RHW.7C ▲
Shower Arm
& Shower Head



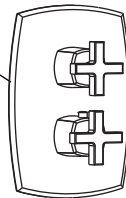
HS1026H
Hand Shower

240.8006
Wall Elbow Holder

SP.150EM
Hose



240.4420
Shower Trim: 240.4000T
Valve: TVH.4420F

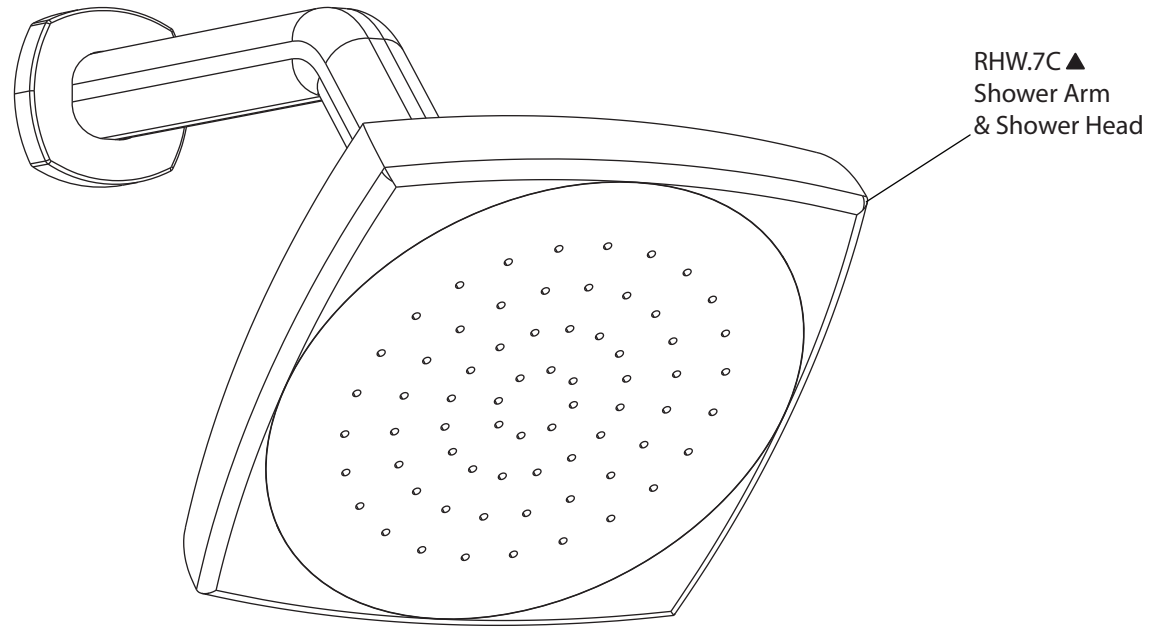


isenberg
innovation+design

240.7050

Product Parts Breakdown

▲ Specify Finish

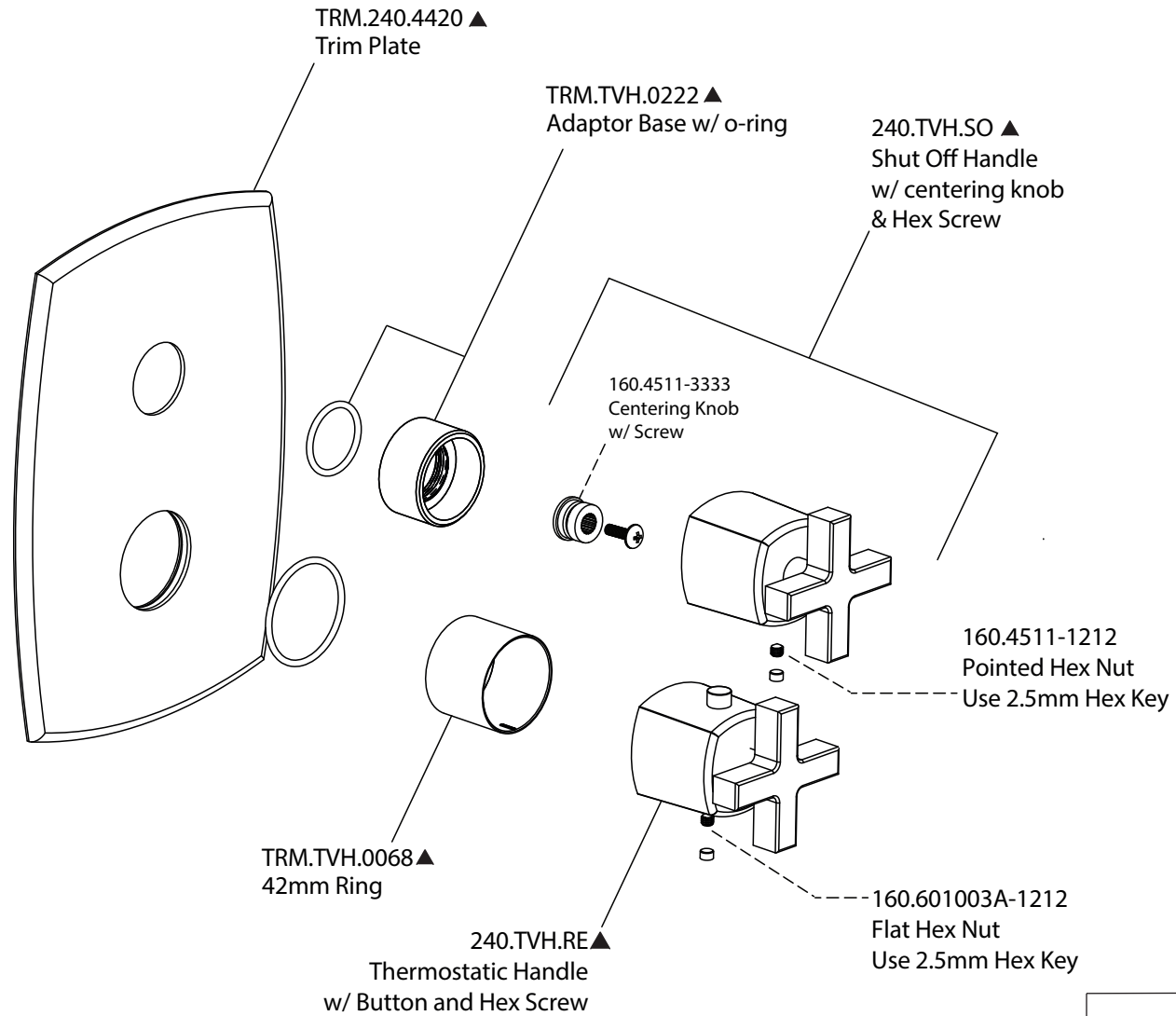


isenberg
innovation+design

RHW.7C

Ver 2.53

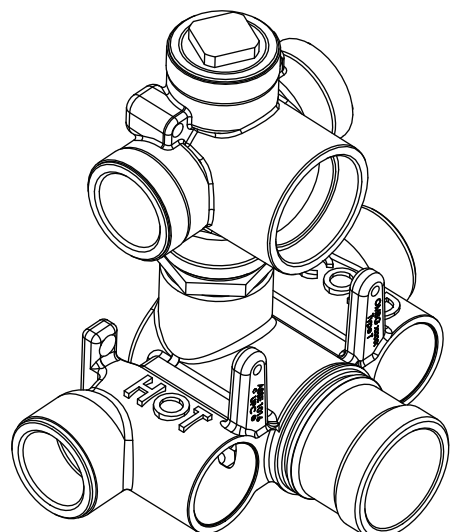
Product Parts Breakdown



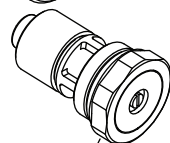
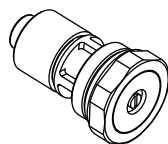
isenberg
innovation+design

240.4000T

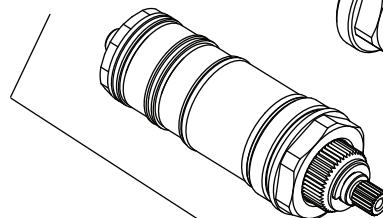
Product Parts Breakdown



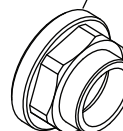
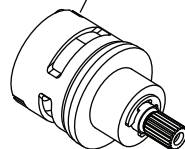
TVH.4201-1987
Supply Stop



TVH.4201-9853
Thermostatic
Cartridge w/
Stop Ring

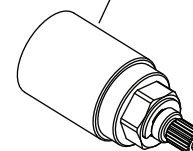


15109
Diverter Cartridge - 2 Output - Non-Shared
15103
Diverter Cartridge - 2 Output - Shared



TVH.5030
Diverter Flange

TVH.0678
Threaded Rod



TVH.5007
Anti Scald
Stop Ring



isenberg
innovation+design

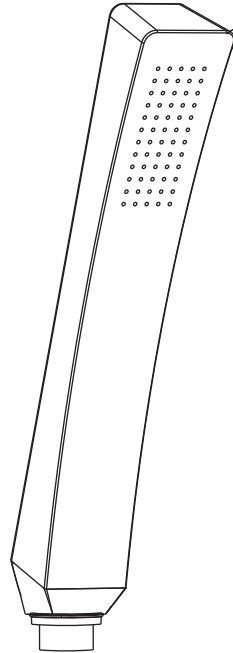
TVH.4420F

Ver 2.54

Product Parts Breakdown

▲ Specify Finish

HS1026H
Hand Shower

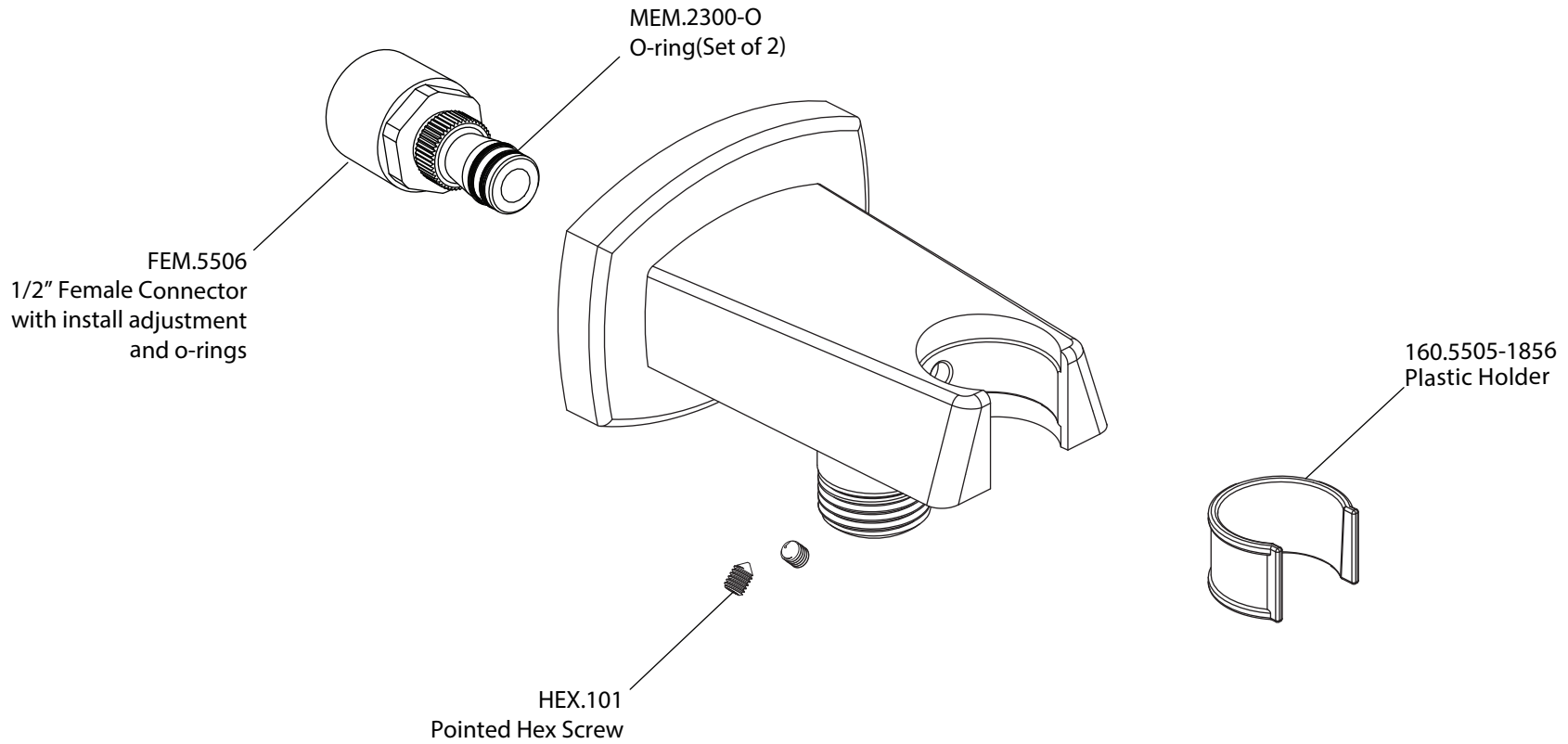


isenberg
innovation+design

HS1026H

Ver 2.55

Product Parts Breakdown



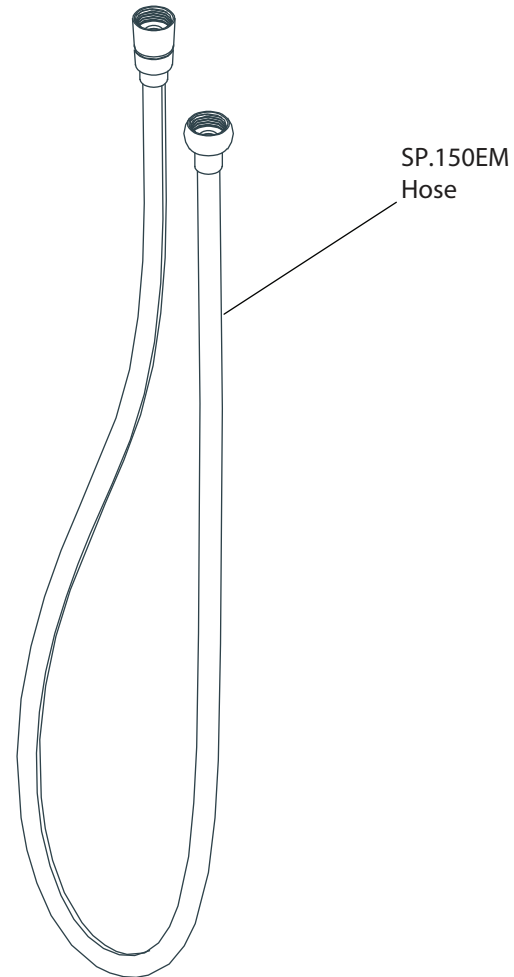
isenberg
innovation+design

240.8006

Ver 2.54

Product Parts Breakdown

▲ Specify Finish



isenberg
innovation+design

SP.150EM

Ver 2.55