

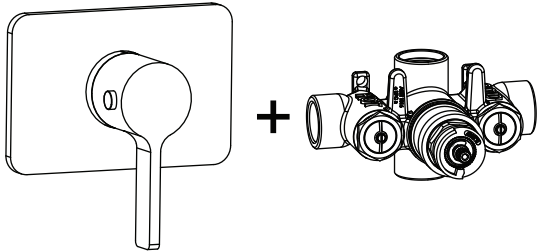
**260.4201 | 3/4" Thermostatic Valve With Trim**

**SPECIFICATIONS:**

- Turn Handle to control temperature.
- Includes Thermostatic valve (TVH.4201) w/ service stops
- Thermostatic Valve Flow Rate - 13.0 GPM @ 60 PSI
- Extension Available - TVH.E185E\*\*

**STANDARDS:**

- ASME A112.18.1 / CSA B125.1

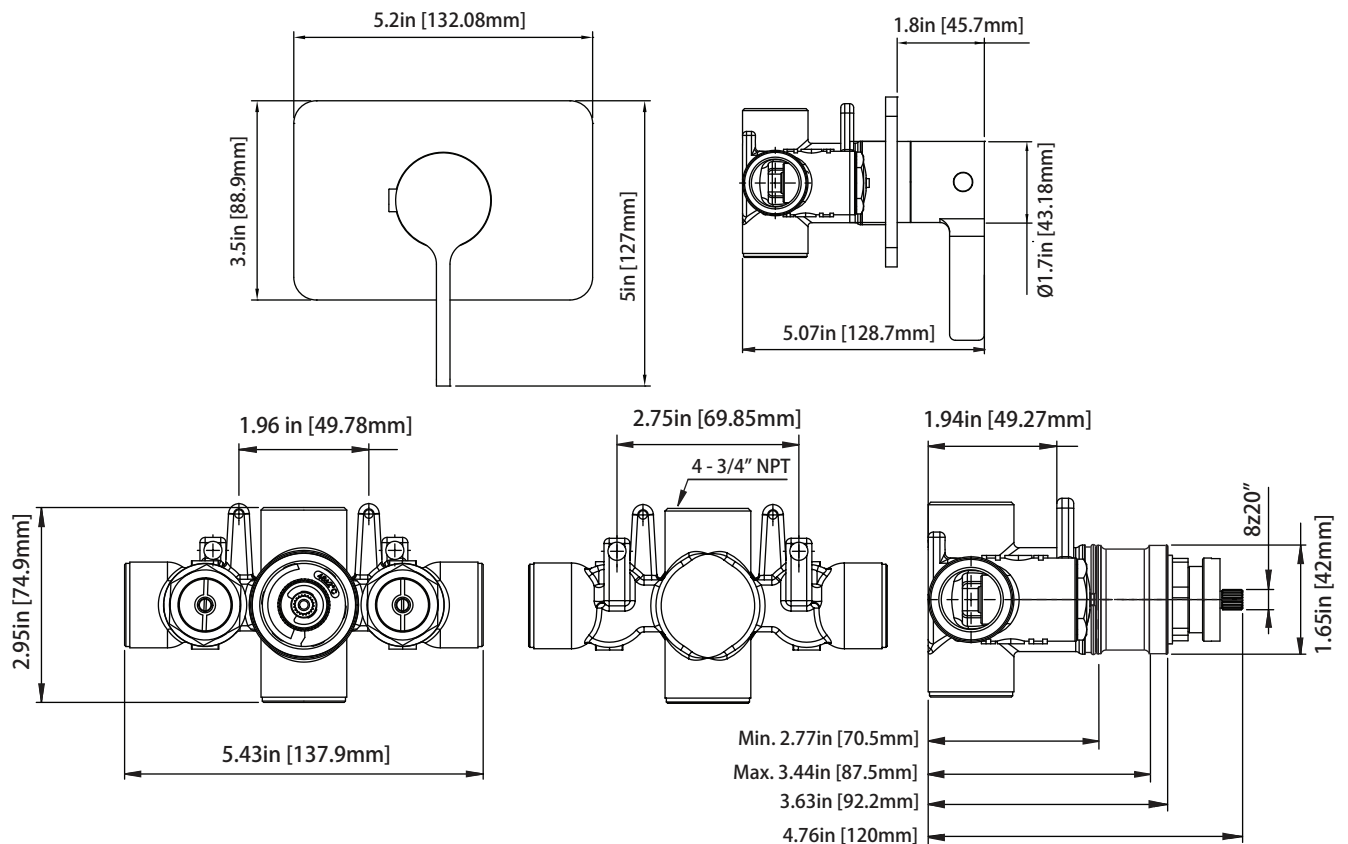


Trim  
[ 260.4201T\*\* ]

Valve  
[ TVH.4201 ]

**Technical Diagram**

See Spec Sheet For  
TVH.4201 For Detailed  
Information On Valve.



TVH.4201 | 3/4" Thermostatic Valve Page 1 of 2

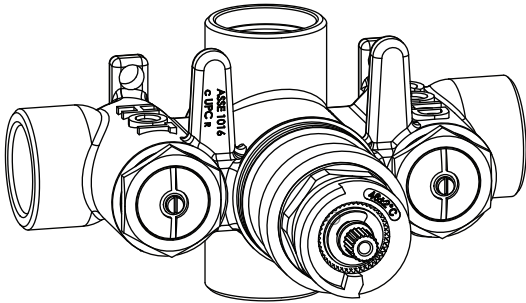


**SPECIFICATIONS:**

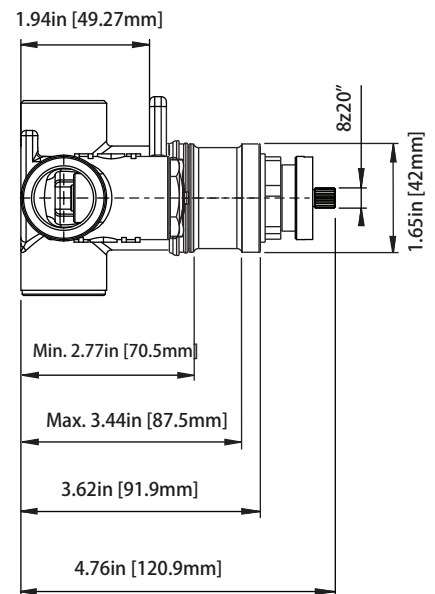
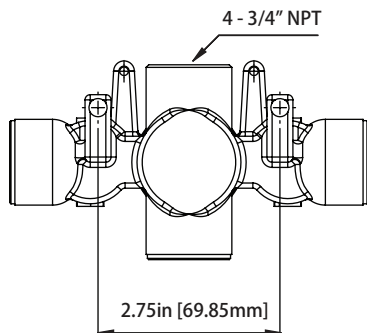
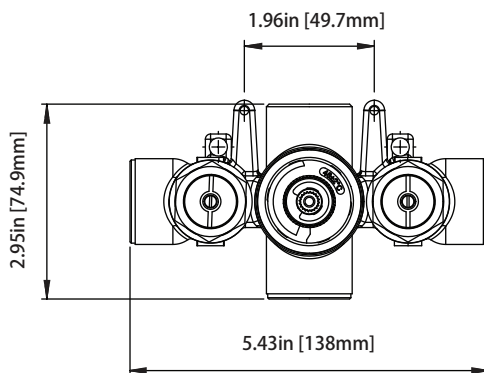
- Turn knob to control temperature.
- Thermostatic Valve Flow Rate - 13.0 GPM @ 60 PSI

**STANDARDS:**

- ASME A112.18.1 / CSA B125.1



**Technical Diagram**



TVH.4201 | 3/4" Thermostatic Valve Page 2 of 2



Water Flow Diagram

