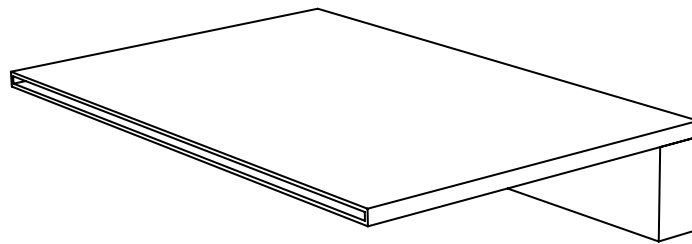


Installation Manual For CFB.2350

Cascade Flow Tub Filler



NOTICE TO HOMEOWNER

- We recommend that this product is installed by a qualified professional plumber.
- Please check this product immediately to ensure that it has not been damaged and is complete. Before installation, please make sure this product is the correct model and you have all the parts required for installation and use.
- Please flush the water system to ensure that no metal swarf, solder, and other impurities can enter the product.
- Turn off water supply before commencing work.
- Please read these instructions carefully and retain for future reference.

BEFORE YOU BEGIN

- You must observe all local plumbing laws and codes.
- Do not install this valve if it does not meet local plumbing codes.
- Shut off the main water supply.

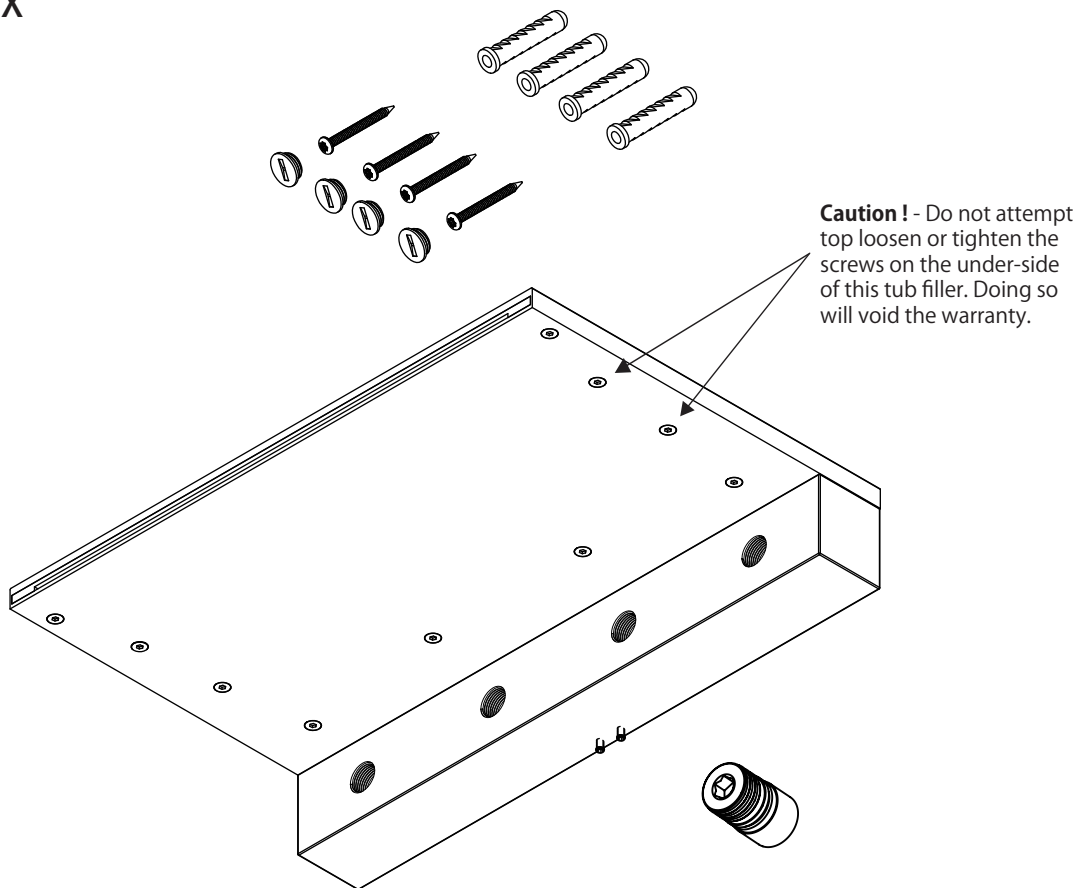
Installation Manual For CFB.2350

Cascade Flow Tub Filler

TABLE OF CONTENTS

• In The Box	1
• Operating Specifications	1
• Technical Drawing	2
• Installation Hole Spacing Guide	2
• Installation Procedure	3

IN THE BOX



OPERATING SPECIFICATIONS

WATER TEMPERATURE



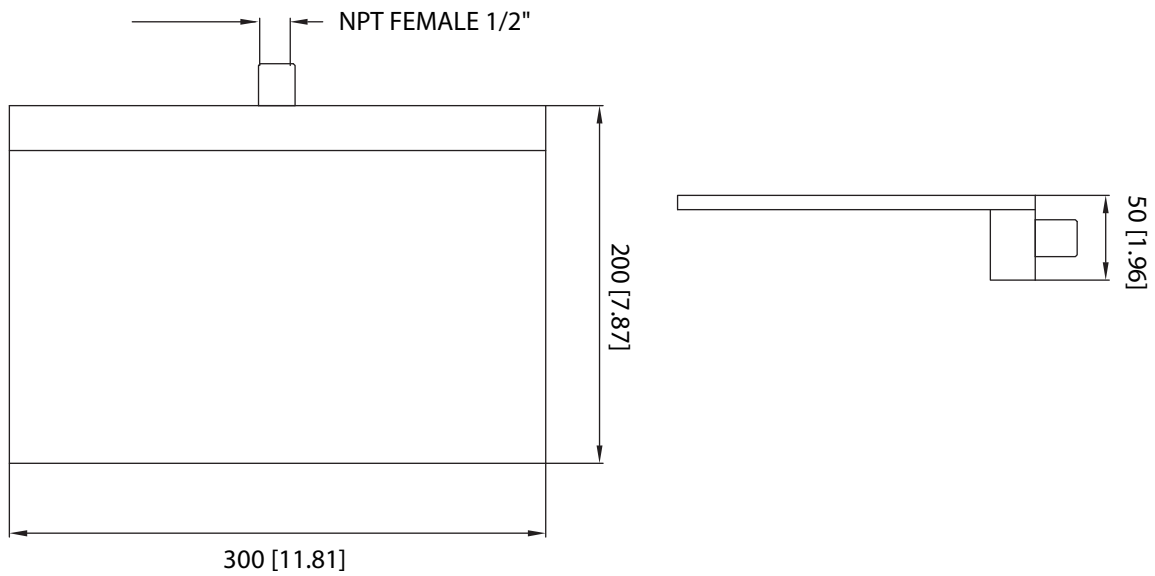
This product is to be used with water at a temperature range of 40°F - 120°F ONLY!

WATER PRESSURE



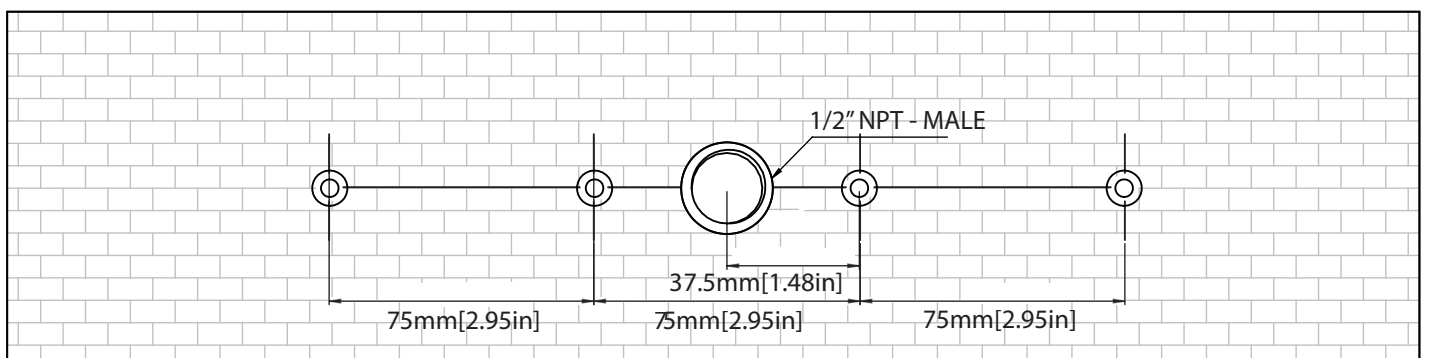
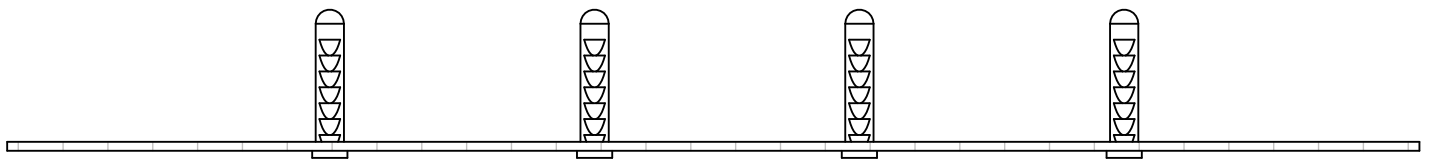
This product is to be used with a water pressure range of 15 PSI to 72 PSI ONLY
If water pressure is greater than 72 PSI install a pressure reducing valve (PRV)

TECHNICAL DRAWING



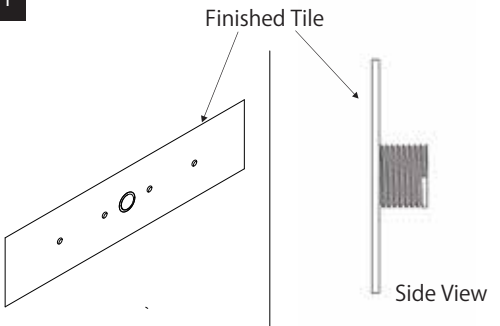
INSTALLATION HOLE SPACING GUIDE

The CFB.2350 installs from front of the finished tile. It is secured with 4 screws. The below diagram shows hole spacing.



INSTALLATION PROCEDURE

1



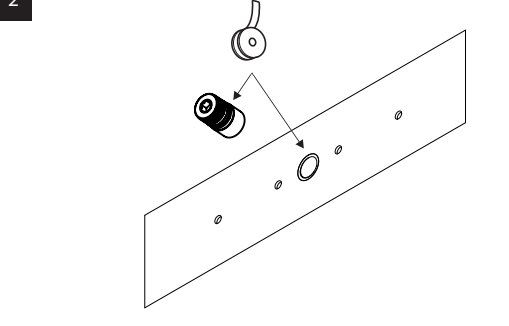
Finished Tile

Side View

Bring out the 1/2" male connection behind the finished tile

Drill appropriate holes

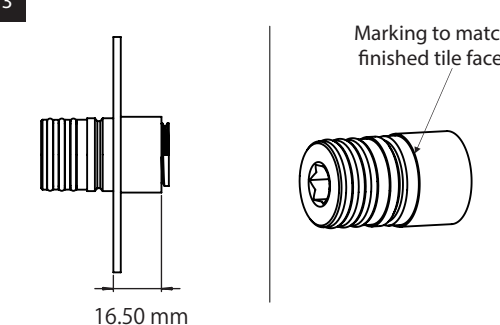
2



Use Allen wrench/key to tighten connector into 1/2" NPT male wall connection.

Use plumbers tape for water tight connection.

3

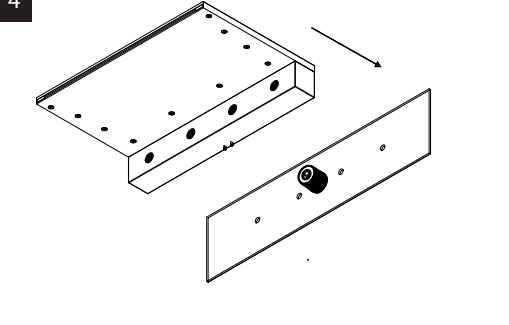


Marking to match finished tile face.

16.50 mm

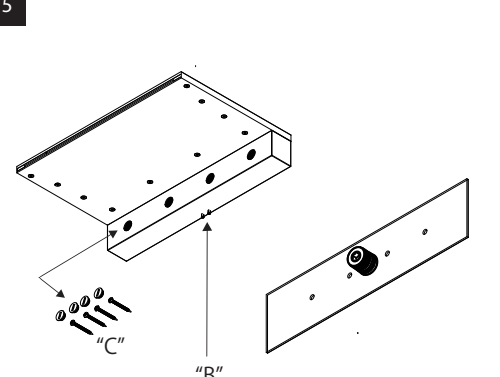
Install The 2nd Brass Fitting. Use Plumbers Tape for water tight connection.

4



Slide Tub Filler Into brass Connector. Ensure the connector slides in completely into Tub Filler.

5



"B"

"C"

Tighten Hex Screws "B". Tighten holding screws "C".