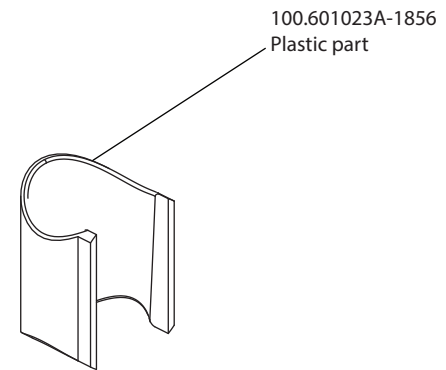
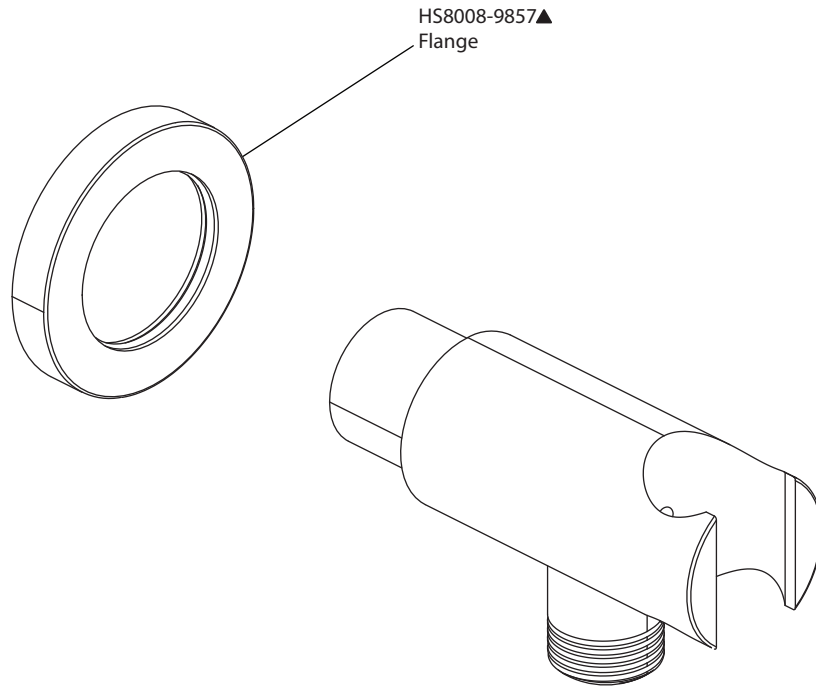


Product Parts Breakdown



isenberg
innovation+design

HS8008