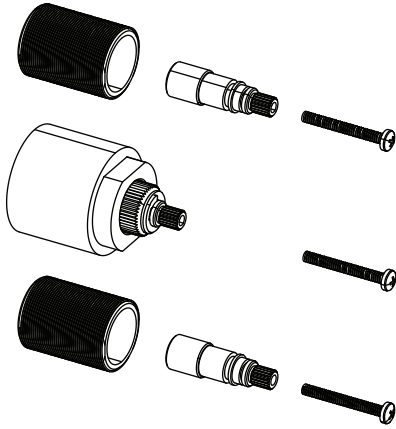


TVH.4401E | 1.40" Extension KIT



SPECIFICATIONS:

- Extension kit for use the below valves
TVH.4401
TVH.4501
TVH.4801
TVH.2715
- Solid Brass Construction

Technical Diagram

