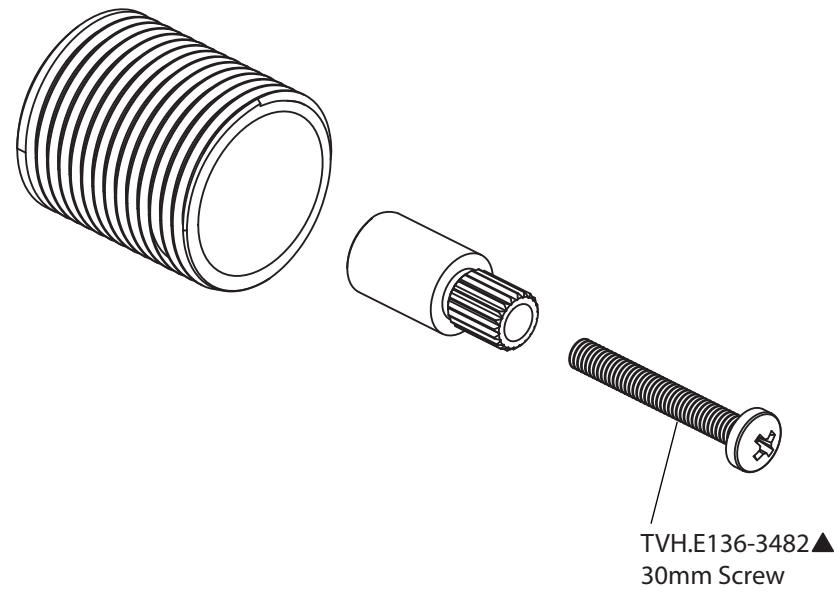


Product Parts Breakdown

▲ Specify Finish



isenberg
innovation+design

TVH.E136

Ver 2.53