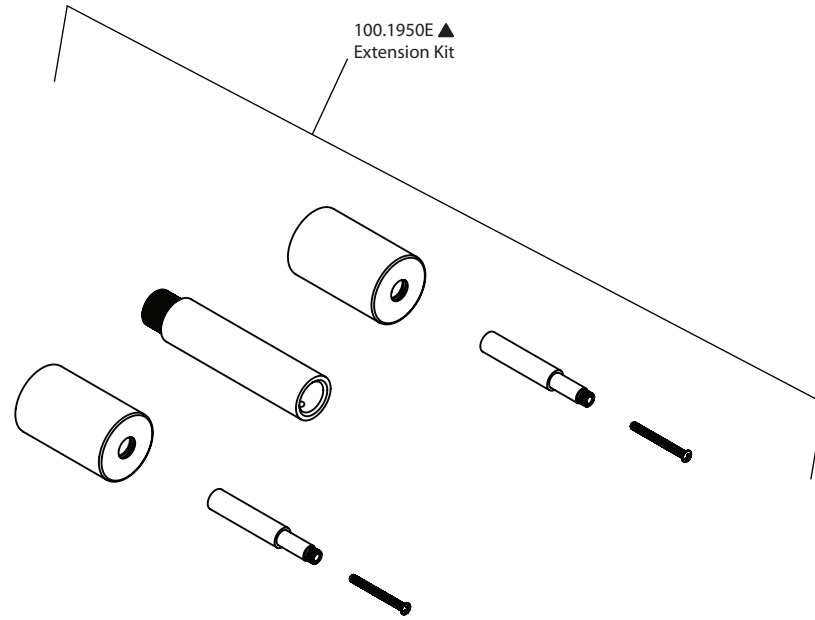


Product Parts Breakdown



isenberg
innovation+design

100.1950E

Ver 2.53