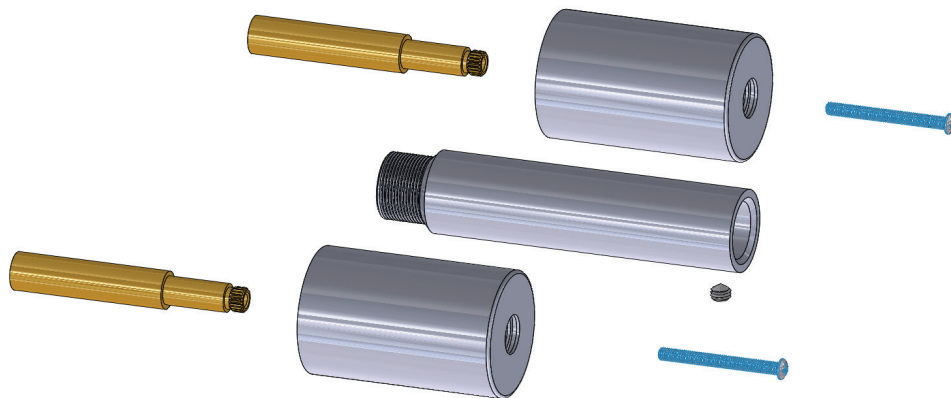


Installation Manual - 100.1950E

Extension kit

Use With 100.1950 / 100.2450



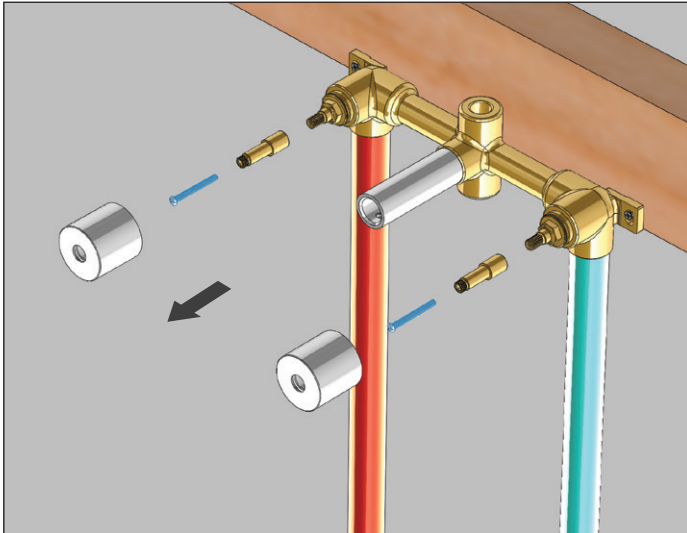
BEFORE YOU BEGIN

- You must observe all local plumbing laws and codes.
- Do not install this valve if it does not meet local plumbing codes.
- Shut off the main water supply.

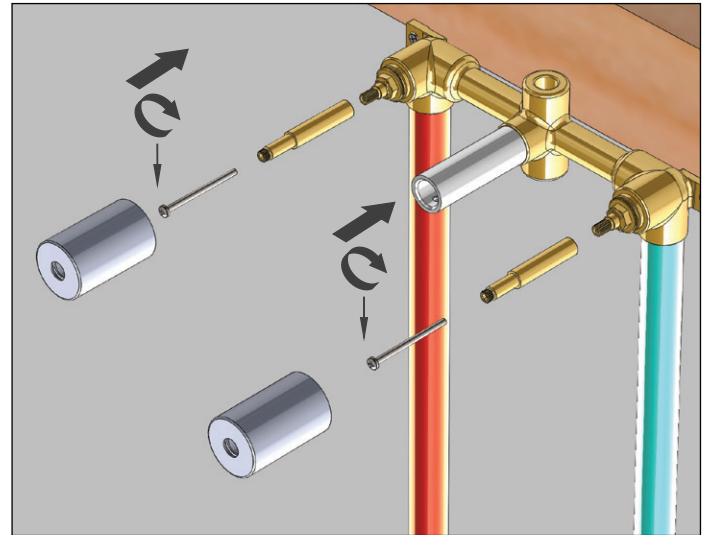
TABLE OF CONTENTS

- Installing The Extension Kit 1

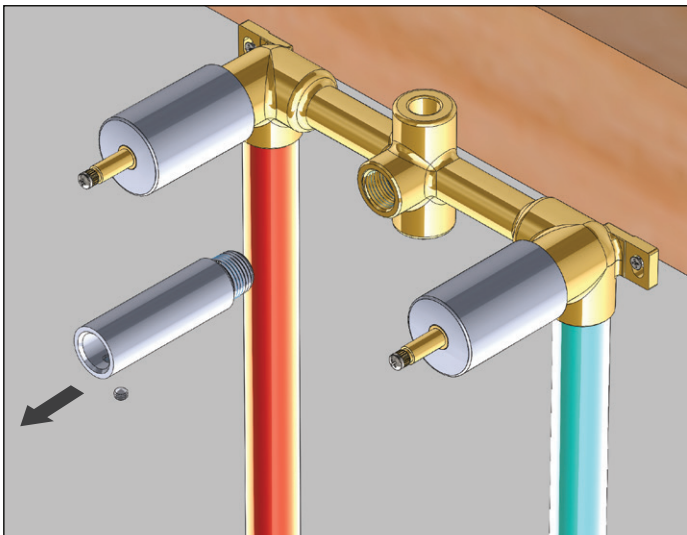
INSTALLING EXTENSIONS TO THE VALVE



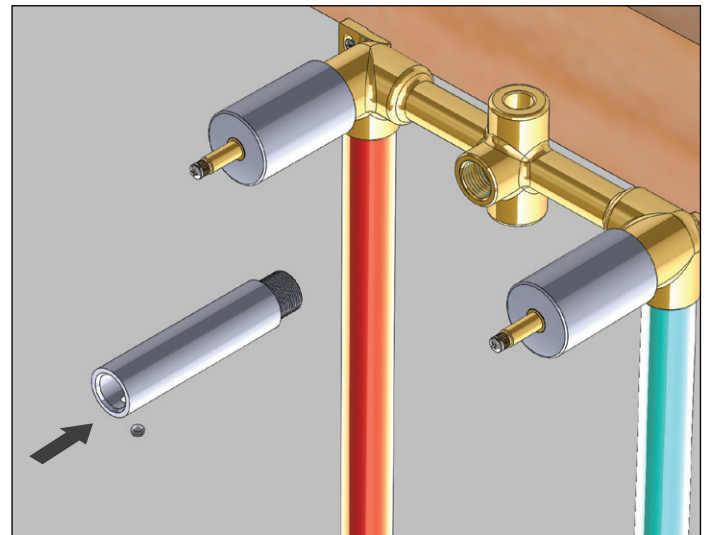
Remove existing handles and trim on handles



Install volume stem extension kit, tighten screws and then install longer trim piece

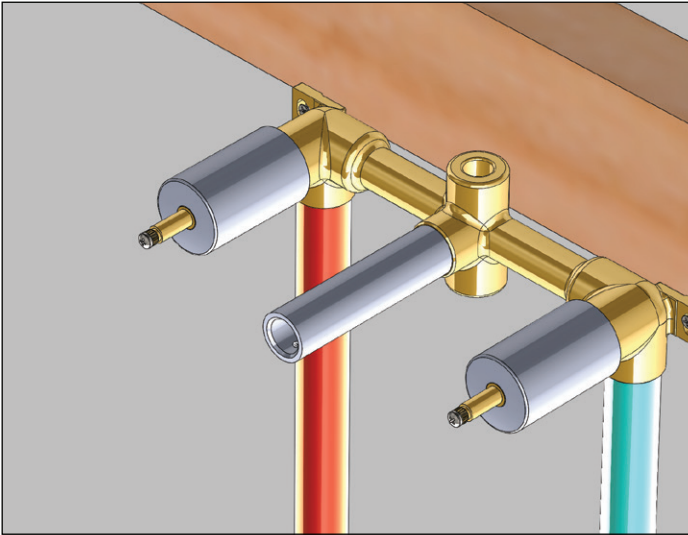


Remove existing spout piece



Insert longer spout extension piece

INSTALLING EXTENSIONS TO THE VALVE



All extension trim pieces installed shown in this illustration