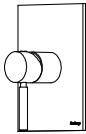


## 100.3050 | Single Output Shower W/ Shower Head & Arm



### COMPONENTS

- HS1030 - 7" Shower Arm
- HSB.6R - 6" Shower Head
- UF.2200T - Shower Trim
- PBV.1005AS - Shower Valve

### SHOWER VALVE:

- Pressure balance shower valve
- Valve includes service stops
- Lift handle to control volume
- Turn left for hot, right for cold

### SHOWER HEAD:

- Single function
- Solid brass construction
- 1.8 GPM flow rate

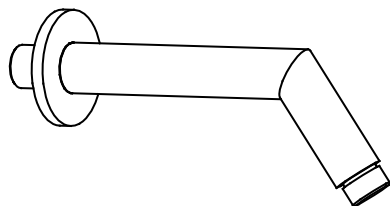
### STANDARDS:

- ASME A112.18.1 / CSA B125.1

See individual component specification sheets on following pages for further details.



## HS1030 | Round Shower Arm



### SPECIFICATIONS:

- Solid Brass Shower Arm
- With Brass Flange

### FAST SHIP FINISHES :

- Chrome - HS1030CP / Brushed Nickel - HS1030BN

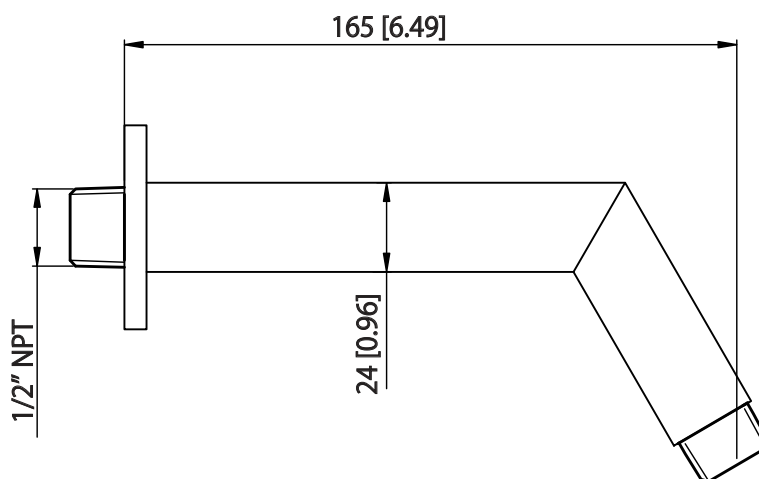
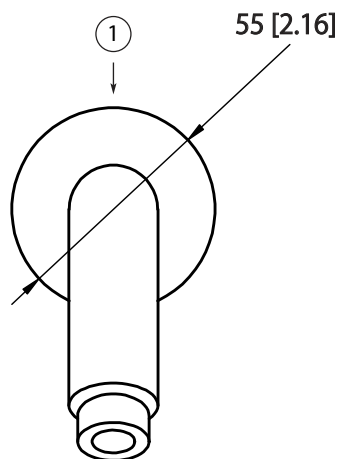
Legislation Compliance



ZeroDrip Technology



## Technical Diagram



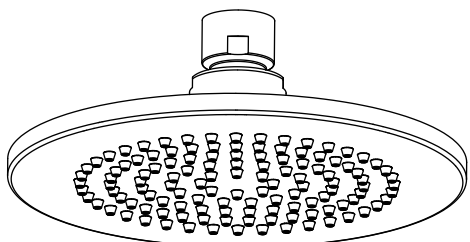
### Part Number Guide:

- ① Flange - HS1030-1253CP - Chrome  
HS1030-1253BN - Brushed Nickel

## HSB.6R | 6" Brass Shower Head

### SPECIFICATIONS:

- Solid Brass Shower Head
- Scrub rubber nozzles to easily clean water sediment
- 1.8 GPM Flow Rate
- 123 Nozzles
- Use with HS1030 Shower Arm



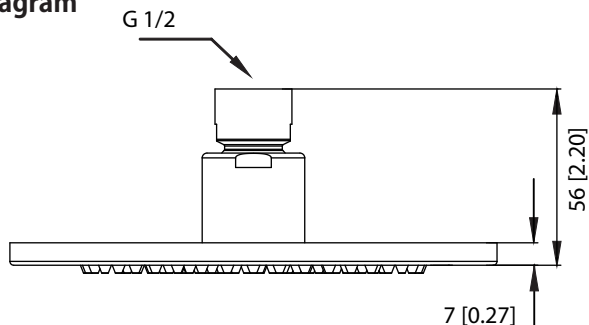
Legislation Compliance



ZeroDrip Technology

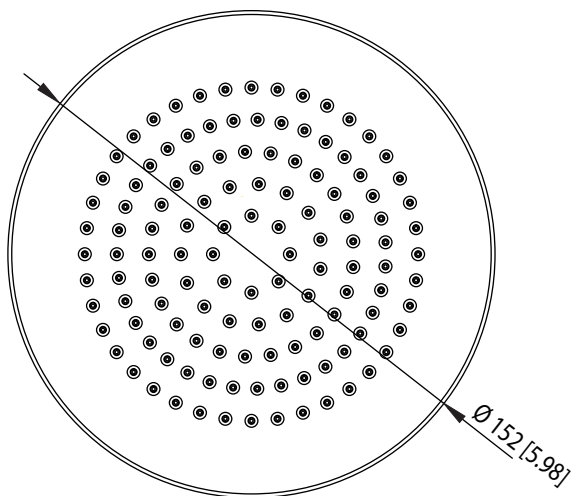
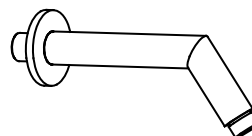


### Technical Diagram



### MATCHING SHOWER ARMS:

1) HS1030





**UF.2200 | 1-Way Shower Trim Set With Pressure Balance Valve**

**SPECIFICATIONS:**

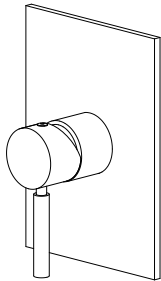
- Solid Brass Trim & Handle set
- Includes Pressure balance valve (PBV1005AS\*\*) w/ service stops
- Lift Handle to control volume. Turn left for hot, right for cold.
- Pressure Balance Valve Flow Rate - 5.5 GPM @ 60 PSI
- Extension Available - PBV.E185\*\*

**FAST SHIP FINISHES :**

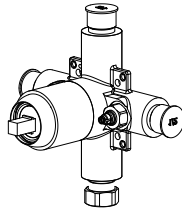
- Chrome - UF.2200CP / Brushed Nickel - UF.2200BN

**STANDARDS:**

- ASME A112.18.1 / CSA B125.1



+



Trim  
[ UF.2200T\*\* ]

Valve  
[ PBV1005AS\*\* ]

\*\* Denotes Finish (CP Or BN)

Legislation Compliance

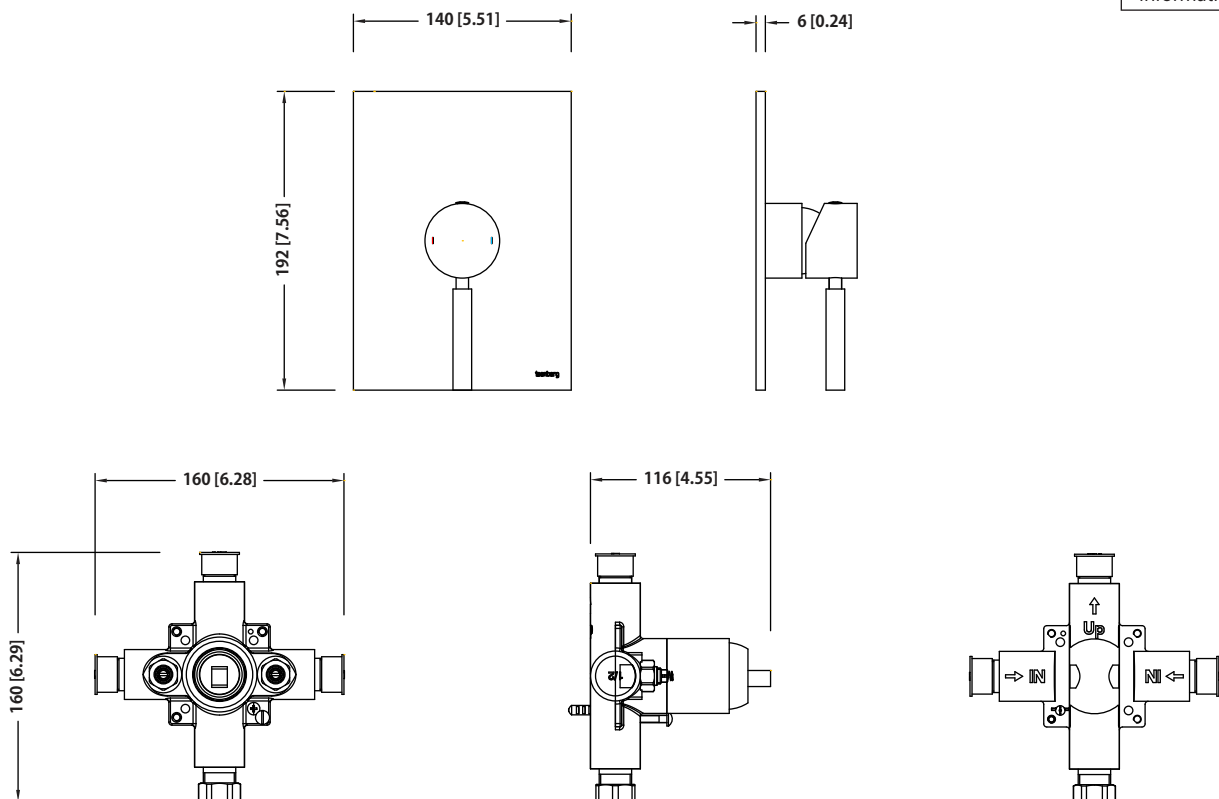


ZeroDrip Technology



**Technical Diagram**

See Spec Sheet For  
PBV1005AS For Detailed  
Information On Valve.





**PBV1005AS | Single Control Pressure Balance Valve** Page 1 of 2

**SPECIFICATIONS:**

- Lift Handle to control volume. Turn left for hot, right for cold.
- Pressure Balance Valve Flow Rate - 5.5 GPM @ 60 PSI

**FAST SHIP FINISHES :**

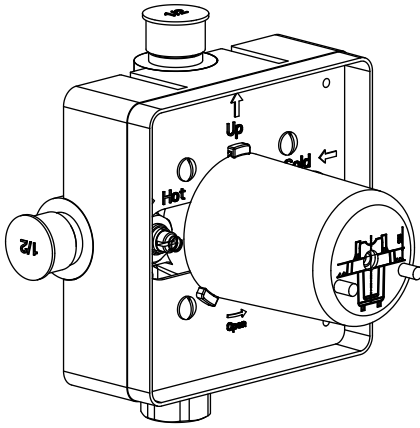
- Chrome - PBV1005ASCP / Brushed Nickel - PBV1005ASBN

**STANDARDS:**

- ASME A112.18.1 / CSA B125.1

**WARRANTY:**

- Limited lifetime warranty to the original consumer purchaser against finish and workmanship

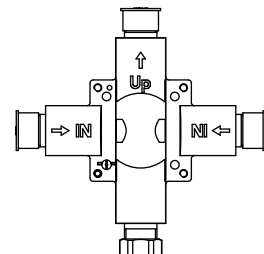
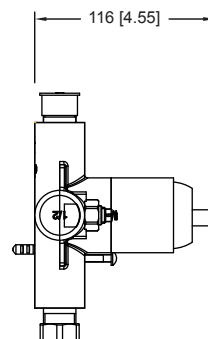
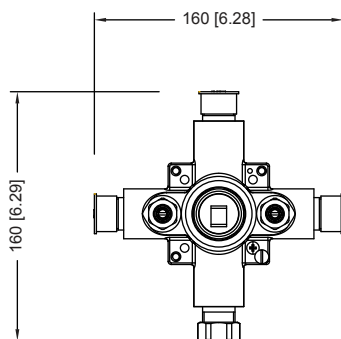
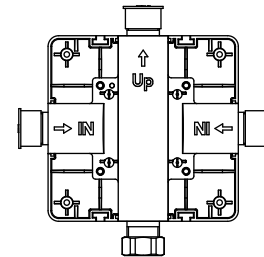
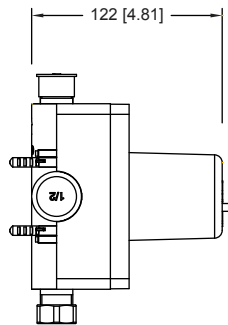
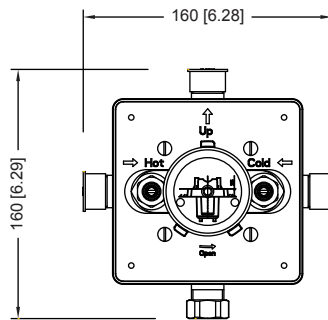


Legislation Compliance

ZeroDrip Technology



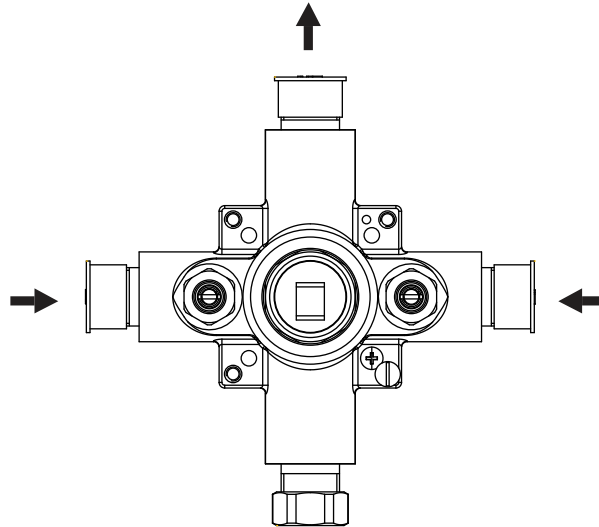
**Technical Diagram**



**PBV1005AS | Single Control Pressure Balance Valve** Page 2 of 2



**Water Flow Diagram**



**Extension Kits**

- a Temperature Handle Extension - PBV.E185CP - Chrome  
PBV.E185BN - Brushed Nickel