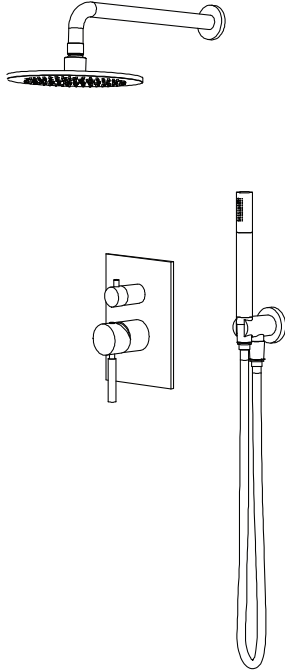


100.3300 | Two Output Shower W/ Rain Head & Hand Held



COMPONENTS

- HS1002SA - 12" Shower Arm
- HS1002A - 8" Shower Head
- UF.2100T - Shower Trim
- PBV.1005A - Shower Valve
- HS1004H - Hand Held
- HS8008 - Wall Elbow w/ Holder
- SP.150EM - 1.5m Hose

SHOWER VALVE:

- Pressure balance shower valve
- Valve includes service stops
- Lift bottom handle to control volume
- Turn left for hot, right for cold
- Top handle controls water diversion
- 1/2" NPT

SHOWER HEAD:

- Solid brass construction
- 1.8 GPM flow rate

HAND HELD:

- Solid Brass construction
- 1.8 GPM flow rate
- With back flow prevention check valve

STANDARDS:

- ASME A112.18.1 / CSA B125.1

See individual component specification sheets on following pages for further details.



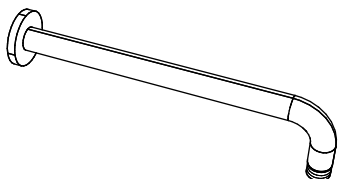
HS1002SA | Round Shower Arm - 300mm - 12"

SPECIFICATIONS:

- Solid Brass Shower Arm
- With Sliding Flange

FAST SHIP FINISHES :

- Chrome - HS1002SACP / Brushed Nickel - HS1002SABN



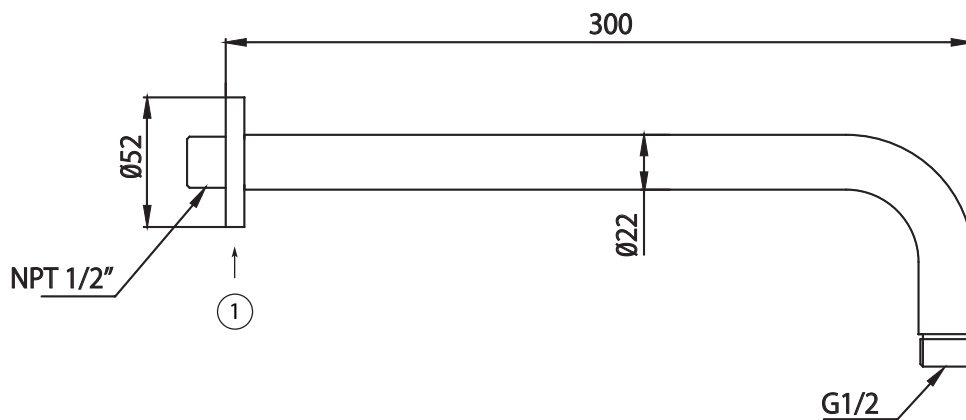
Legislation Compliance



ZeroDrip Technology



Technical Diagram



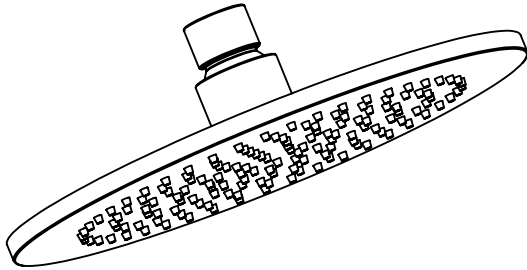
Part Number Guide:

- ① Flange - HS1002SA-1253CP - Chrome
HS1002SA-1253BN - Brushed Nickel

HS1002A | 8" Brass Shower Head

SPECIFICATIONS:

- Solid Brass Shower Head
- Scrub rubber nozzles to easily clean water sediment
- 1.8 GPM Flow Rate



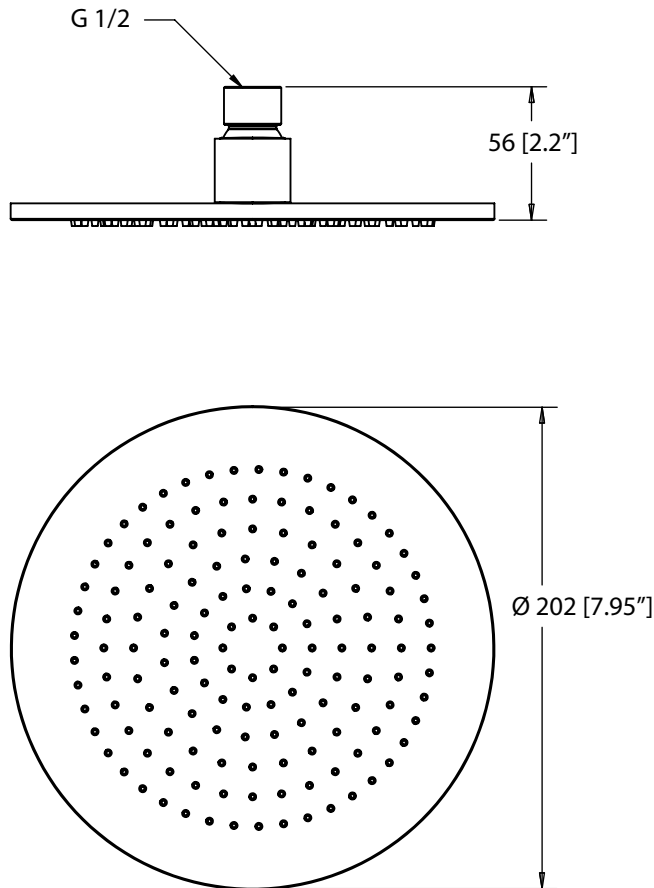
Legislation Compliance



ZeroDrip Technology

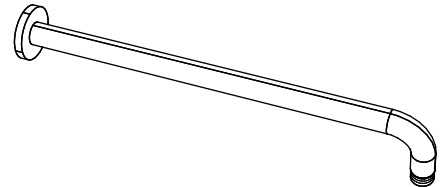


Technical Diagram

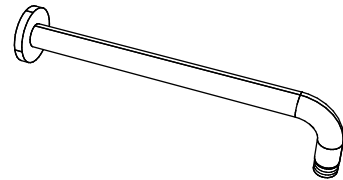


MATCHING SHOWER ARMS:

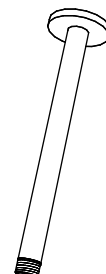
1) HS1012SA (16" Wall Mount Shower Arm)



2) HS1002SA (12" Wall Mount Shower Arm)

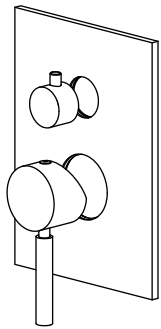


3) 100.12CSA (10" Ceiling Mount Shower Arm)



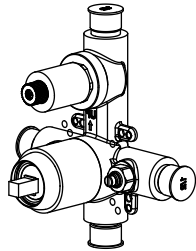


UF.2100 | Tub / Shower Trim Set With Pressure Balance Valve & 2-Way Diverter with Integrated Volume Control



Trim
[UF.2100T**]

+



Valve
[PBV1005A**]

** Denotes Finish (CP, BN, etc.)

SPECIFICATIONS:

- Includes Pressure balance valve (PBV1005A**) w/ service stops
- Lift Handle to control volume. Turn left for hot, right for cold.
- Small knob controls 2-way water diversion
- Pressure Balance Valve Flow Rate - 5.5 GPM @ 60 PSI
- Extension Available - PBV.2100E**

FAST SHIP FINISHES:

- Chrome - UF.2100CP / Brushed Nickel - UF.2100BN

Legislation Compliance

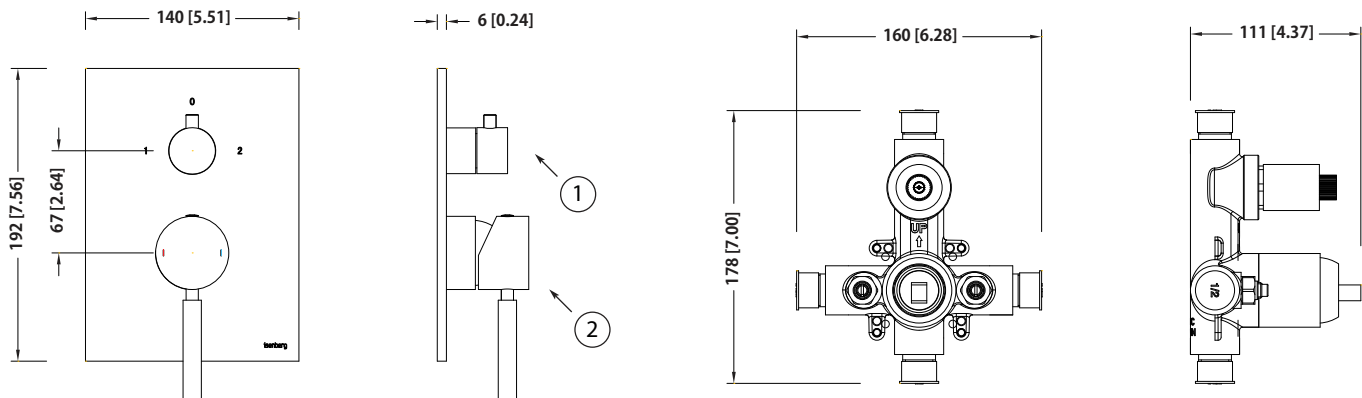


ZeroDrip Technology

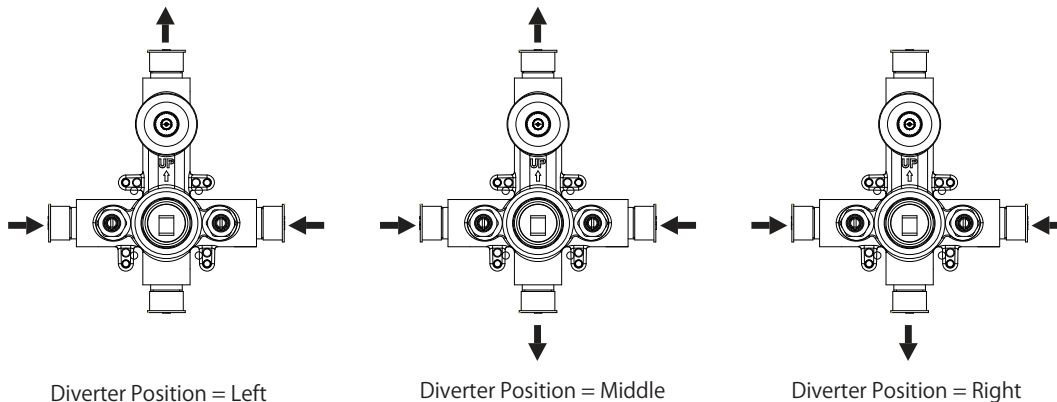


See Spec Sheet For
PBV1005A For Detailed
Information On Valve.

Technical Diagram



Water Diversion Diagram





PBV1005A | Pressure Balance Valve With Integrated 2-Way Diverter Page 1 of 2

SPECIFICATIONS:

- Lift Handle to control volume. Turn left for hot, right for cold.
- Knob controls 2-way water diversion - shared output.
- Pressure Balance Valve Flow Rate - 5.5 GPM @ 60 PSI

FAST SHIP FINISHES :

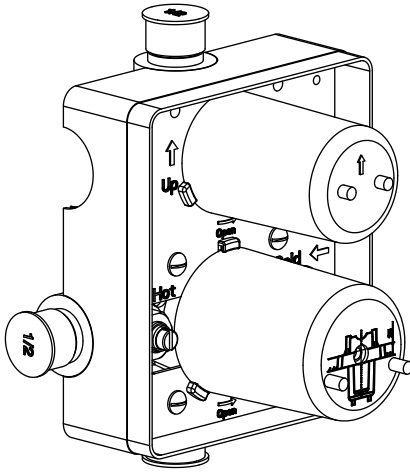
- Chrome - PBV1005ACP / Brushed Nickel - PBV1005ABN /

STANDARDS:

- ASME A112.18.1 / CSA B125.1

WARRANTY:

- Limited lifetime warranty to the original consumer purchaser against finish and workmanship



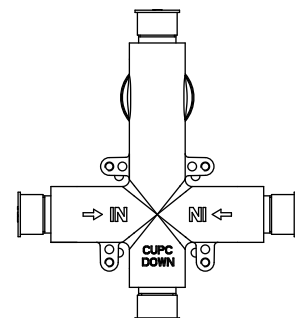
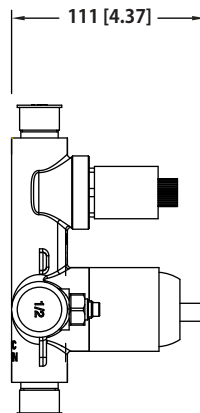
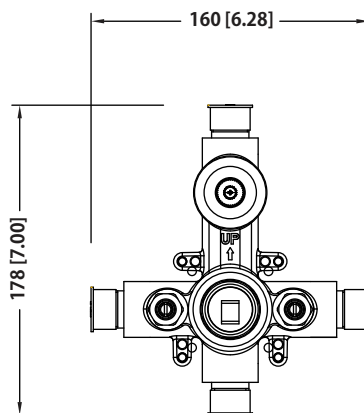
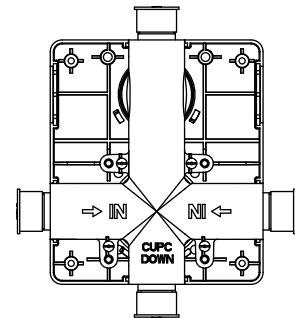
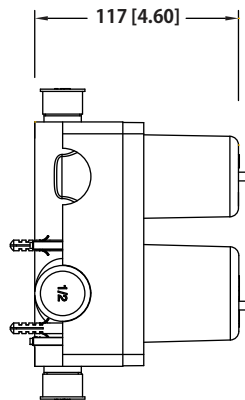
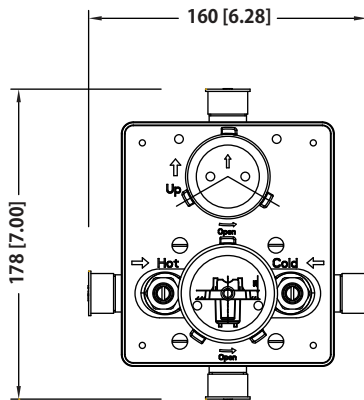
Legislation Compliance



ZeroDrip Technology



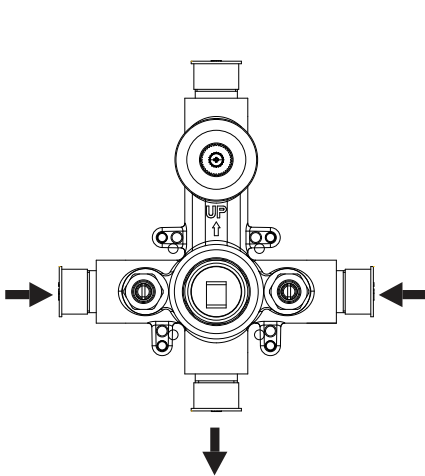
Technical Diagram



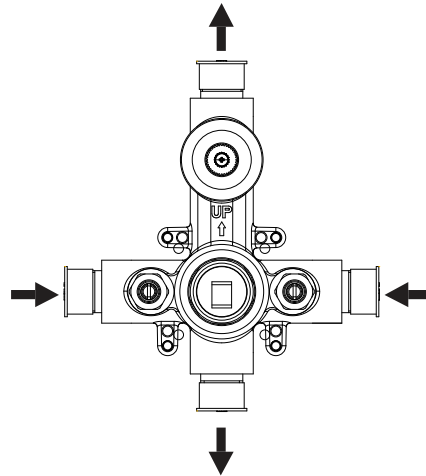
PBV1005A | Pressure Balance Valve With Integrated 2-Way Diverter Page 2 of 2



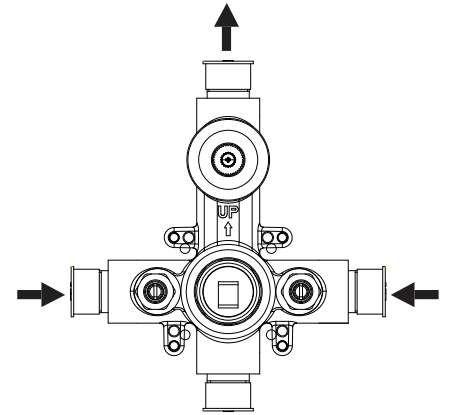
Water Diversion Diagram



Diverter Position = Left



Diverter Position = Middle
Shared Flow is Low Transition Flow



Diverter Position = Right

HS1004H | Solid Brass Hand Shower

SPECIFICATIONS:

- Solid Brass Construction
- 1.8 GPM Flow Rate
- With back flow prevention check valve



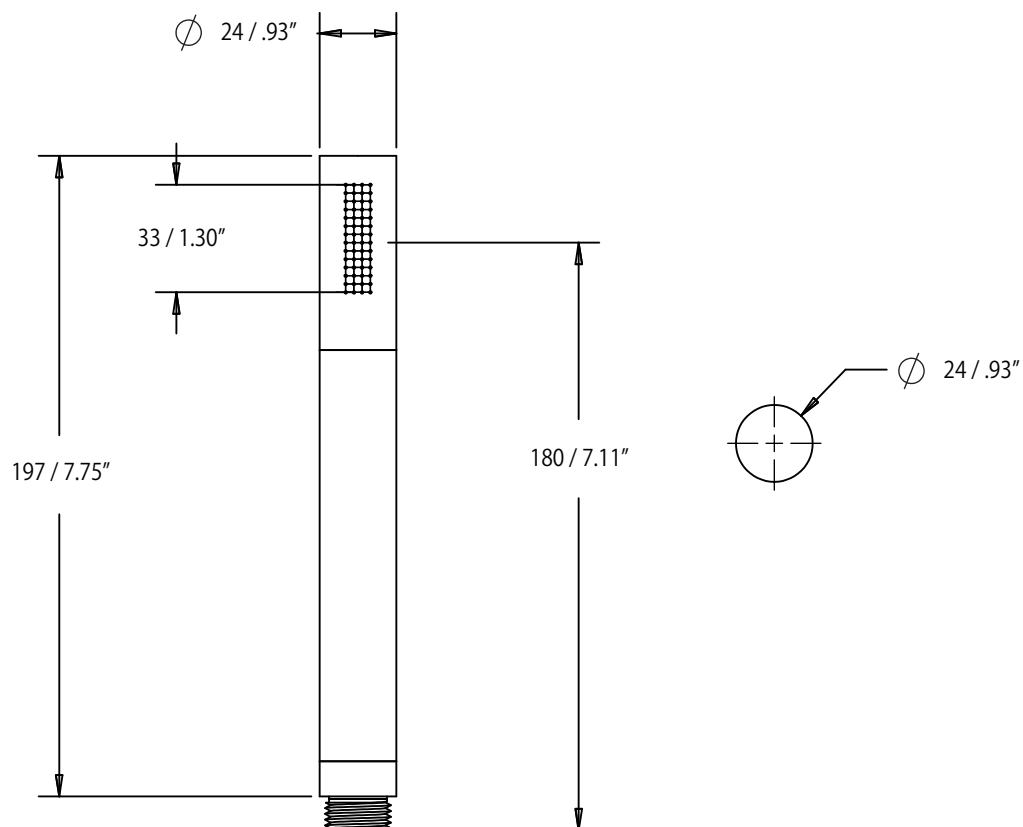
Legislation Compliance



ZeroDrip Technology



Technical Diagram



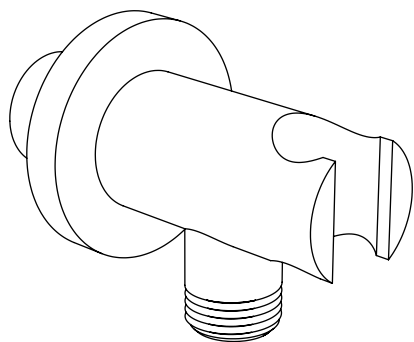
HS8008 | Wall Elbow With Holder Combo

SPECIFICATIONS:

- Solid Brass construction
- Includes check valve with back flow prevention.

FAST SHIP FINISHES :

- Chrome - HS8008CP / Brushed Nickel - HS8008BN



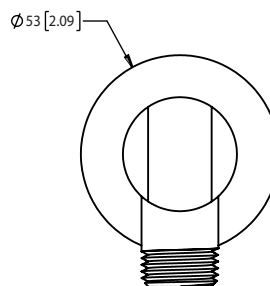
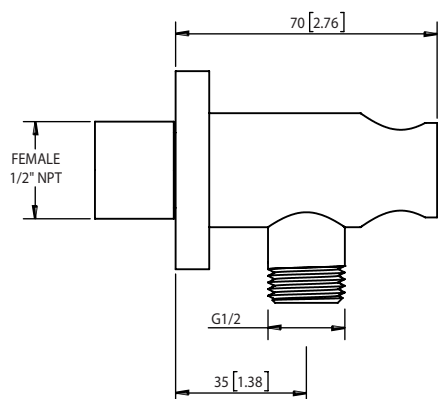
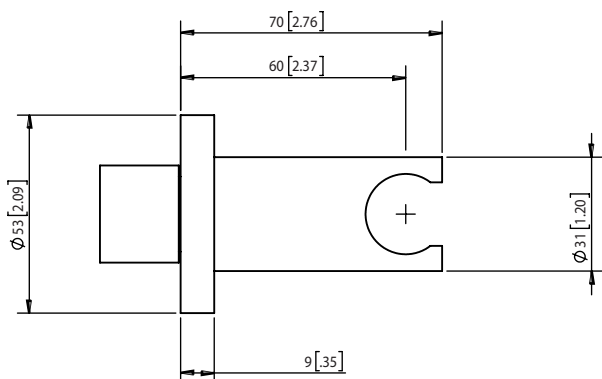
Legislation Compliance



ZeroDrip Technology



Technical Diagram



SP.150EM | Easy Maneuver Hose



SPECIFICATIONS:

- Stainless steel construction
- G-1/2" connection
- 1.5m length

Legislation Compliance



ZeroDrip Technology



Technical Diagram

