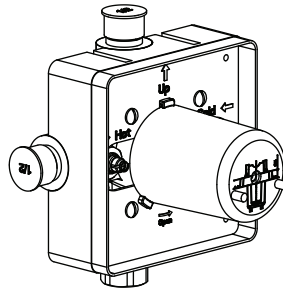




Installation Manual For PBV1005AS

Pressure Balance Valve



NOTICE TO HOMEOWNER

- We recommend that this product is installed by a qualified professional plumber.
- Please check this product immediately to ensure that it has not been damaged and is complete. Before installation, please make sure this product is the correct model and you have all the parts required for installation and use.
- Please flush the water system to ensure that no metal swarf, solder, and other impurities can enter the product.
- Turn off water supply before commencing work.
- Please read these instructions carefully and retain for future reference.

BEFORE YOU BEGIN

- You must observe all local plumbing laws and codes.
- Do not install this valve if it does not meet local plumbing codes.
- Shut off the main water supply.



Installation Manual For PBV1005AS

Pressure Balance Valve

TABLE OF CONTENTS

• Operating Specifications	1
• Valve Installation And Tolerance	2
• Cut-Out Dimensions	
• Valve Installation Into The Wall	
• Connecting Supply Lines	3
• Testing The Valve	3
• Testing The Anti-Scald Function	3
• Installing The Trim Plate And Handles	4
• Using / Replacing Supply Stops	5
• Replacing Temperature Cartridge	6

OPERATING SPECIFICATIONS

WATER TEMPERATURE



This product is to be used with water at a temperature range of 40°F - 120°F ONLY!

WATER PRESSURE



This product is to be used with a water pressure range of 15 PSI to 80 PSI ONLY

If water pressure is greater than 80 PSI install a pressure reducing valve (PRV)

This valve meets or exceeds ANSI A112.18.1 and ASSE 1016

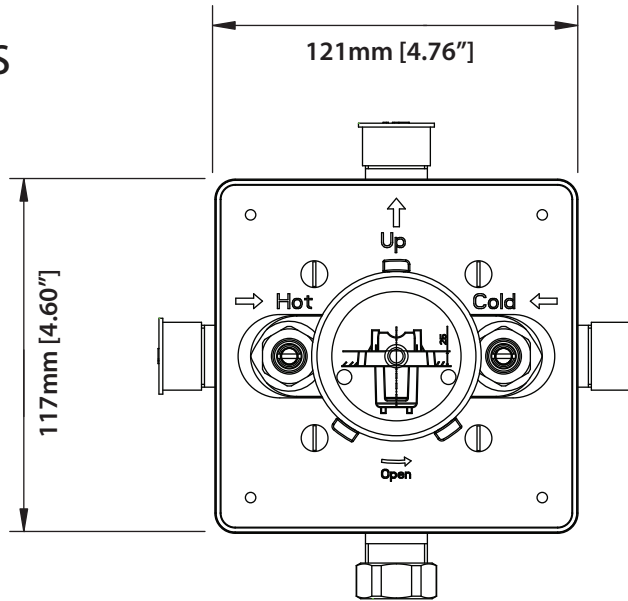
VALVE INSTALLATION AND TOLERANCE

CUT-OUT DIMENSIONS

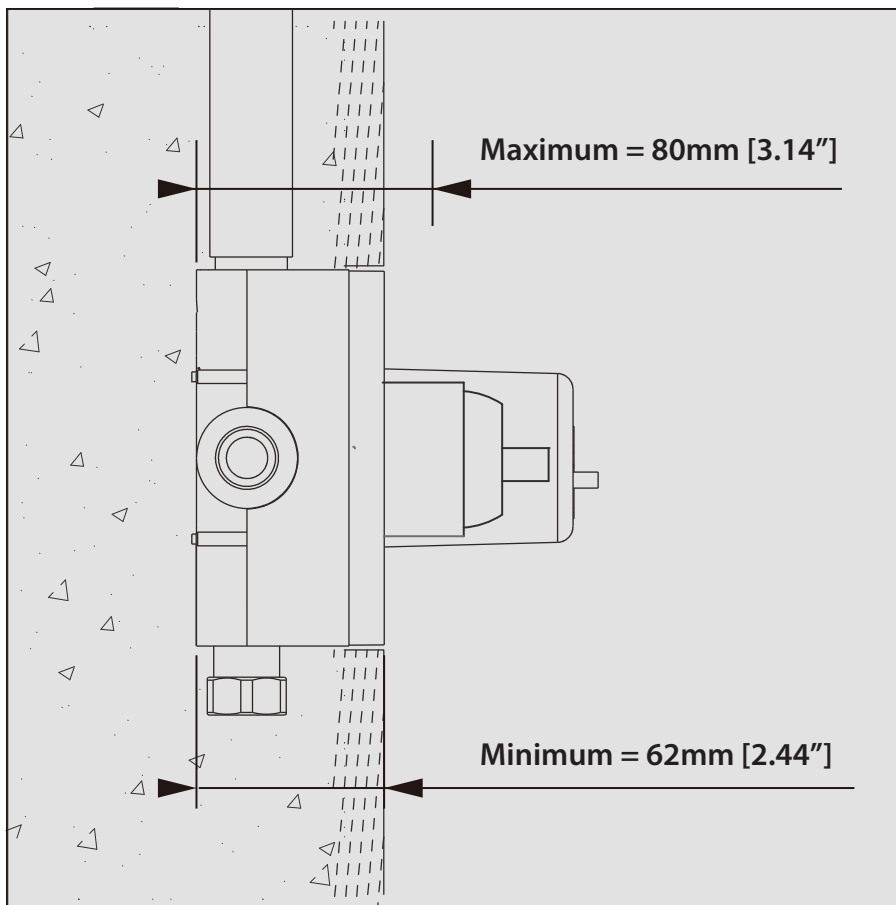
Isenberg's PBV1005AS valve comes with a Grey pre-attached mud-guard.

This mud-guard is not to be removed or discarded.

Its purpose is to guide the installation professional on the proper cut-out dimensions of the drywall and how deep the insert the valve into the wall.

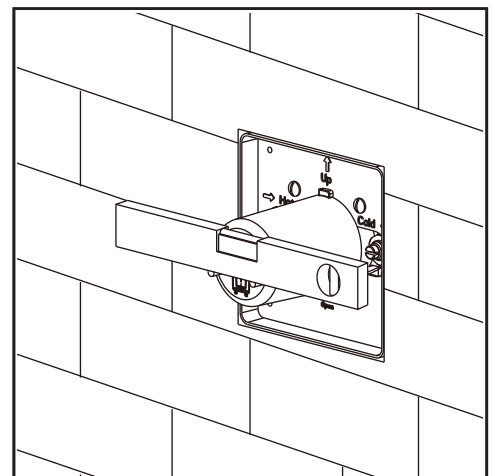


VALVE INSTALLATION INTO THE WALL



Install a crossbeam at the location where the valve will be installed. The distance between back of the valve to the finished tile surface should be between 2.44" and 3.14 inches.

Level and mount the valve to the crossbeam. Ensure valve is straight and do not install at an angle or upside down.



CONNECTING SUPPLY LINES

Connect valve to the hot and cold supplies using 1/2"-NPT copper supply lines. Do not apply heat directly to the valve as this may damage rubber and plastic seals and will void the warranty. Connect the outlet ports to the spout or shower head as required.

TESTING THE VALVE

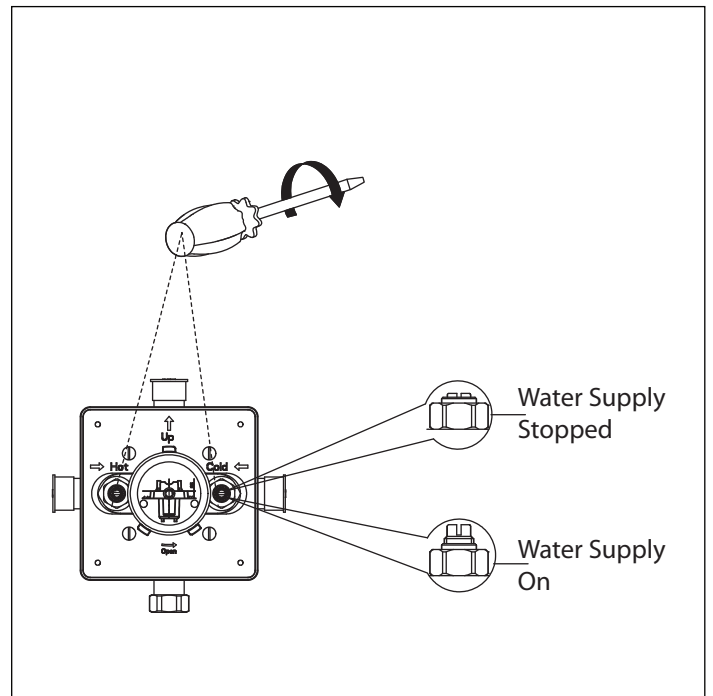
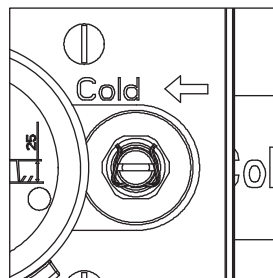
Prior to completing the finished wall, fully test valve function to ensure that valve is working properly (see FLUSHING & PRESSURE TESTING section below).

Ensure that no leaks are present. Check cartridge function and anti-scald function. To test valve function turn on the water check to make sure both hot and cold supplies are working. If not enough hot water is supplied check the temperature limit stop.

TESTING THE ANTI-SCALD FUNCTION

To check anti-scald function, turn off the Cold water supply by turning clockwise the "Cold" supply stop till no water flows into the valve from the cold water supply pipe.

Once this is done all water flow from both outputs of the valve should stop or come to a trickle.



FLUSHING & PRESSURE TESTING

1. BEFORE INSTALLATION OF DRY WALL AND CLOSING OF WALL OPENINGS

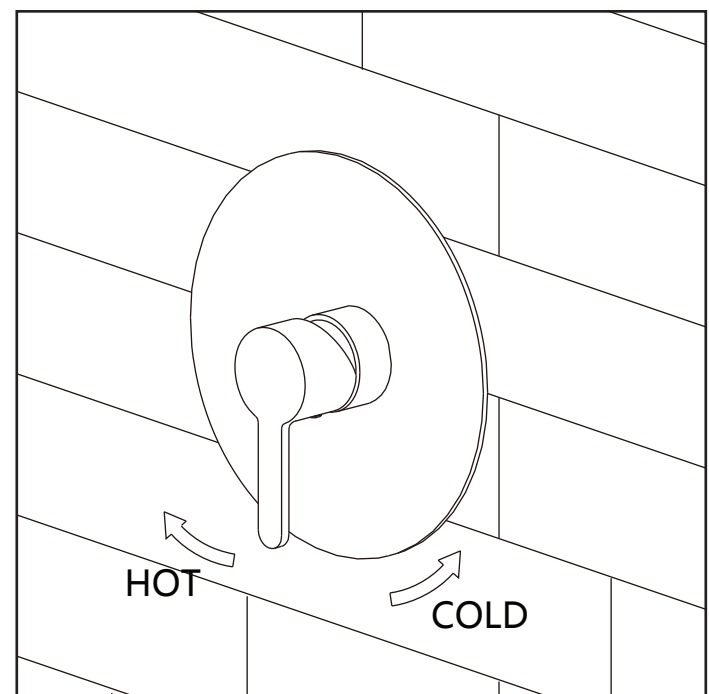
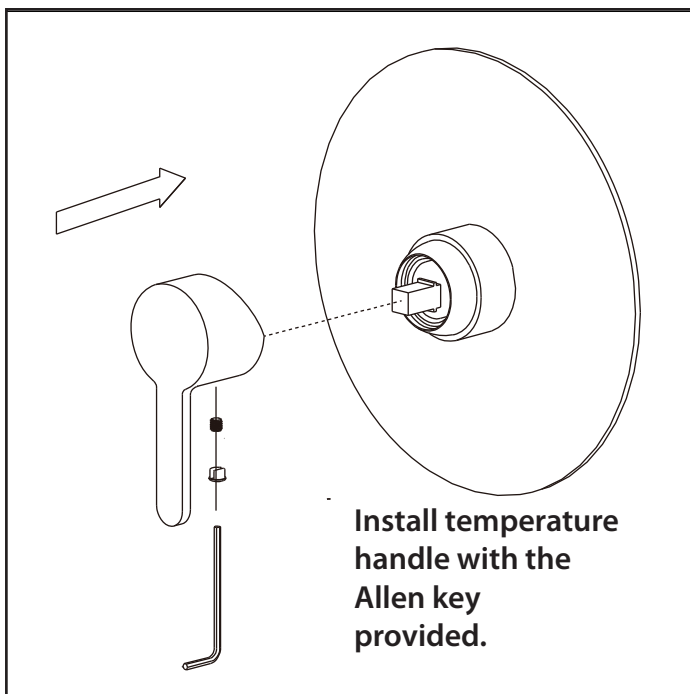
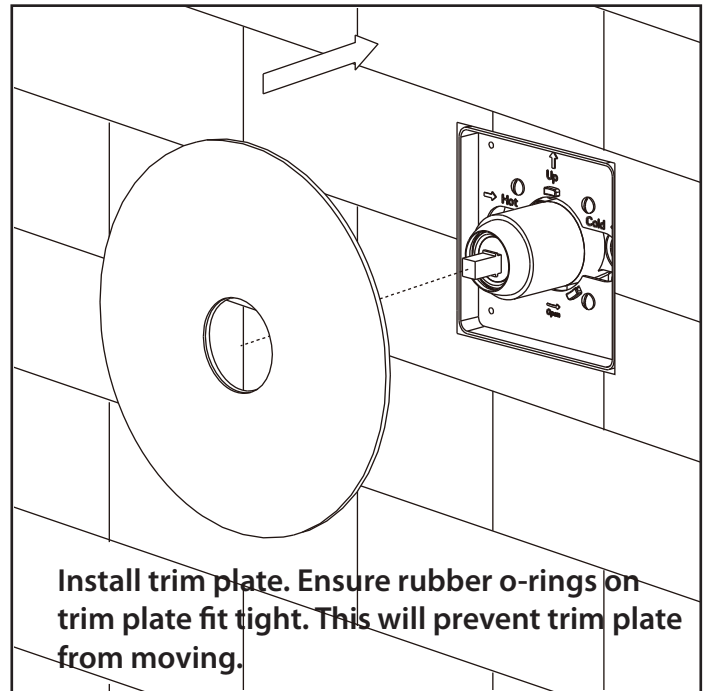
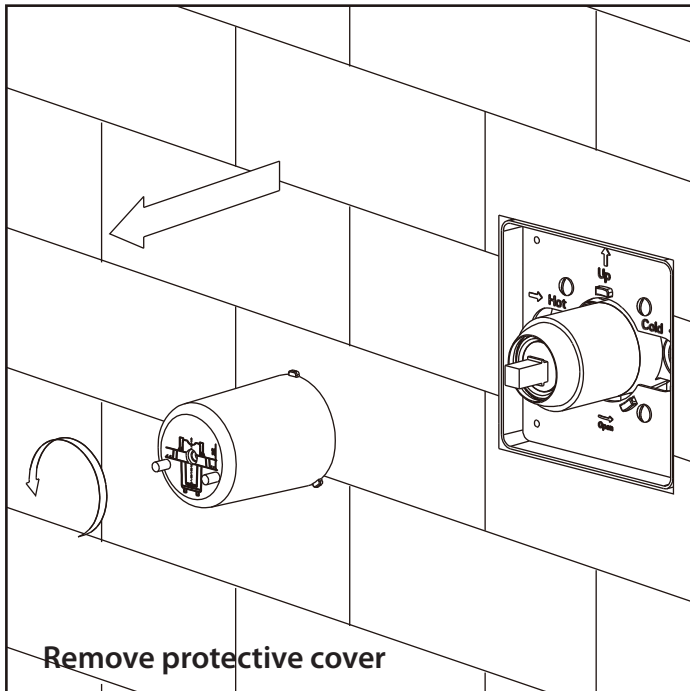
The system must be flushed and pressure tested. Metal chips and sand commonly found in plumbing pipes can damage the components of the valve. To avoid damage DO NOT TURN OFF SUPPLY STOPS UNTIL YOU REMOVE CARTRIDGE.

2. Ensure that both hot and cold supply lines are turned off. Ensure that the cartridge stem is in the off position. Remove the cartridge and slowly turn on the hot and cold supply lines and also the supply stops. This will flush out the valve body and pipes.

3. Close the hot and cold supply lines and re-insert the cartridge.

Turn on hot and cold supply lines and thoroughly check system for leaks.

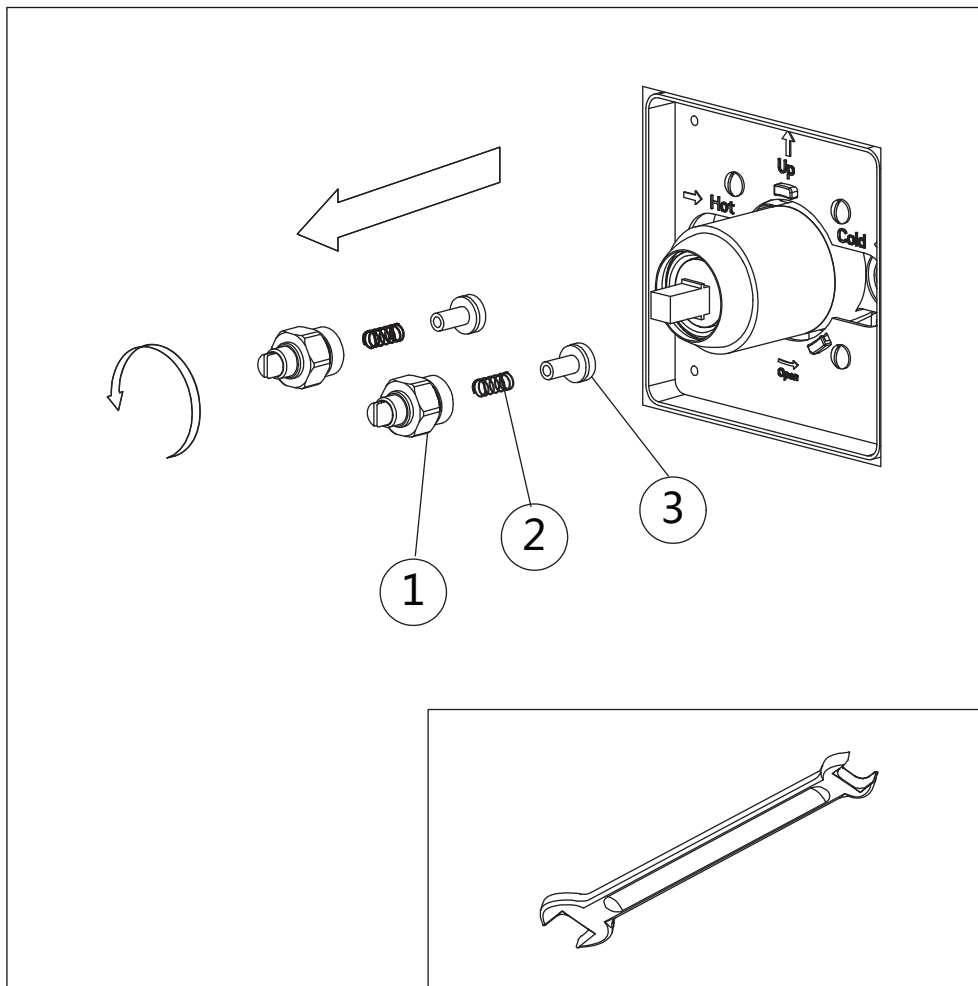
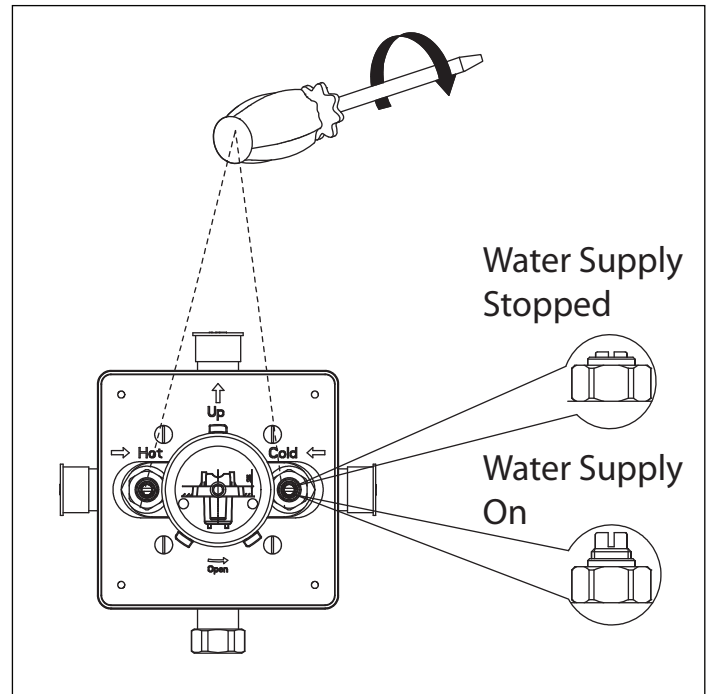
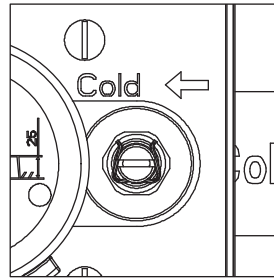
INSTALLING THE TRIM PLATE AND HANDLE



USING THE SUPPLY STOPS

The water supply to the valve can be turned off by simply using a flat-head screwdriver to turn the supply stops in a clock-wise direction (8-turns).

Doing so will block water supply to the valve and prevent damage to the cartridge during installation.



REPLACING THE SUPPLY STOPS

- Use a spanner to turn anti-clockwise item ① and pull outward.
- Remove the spring ② and stop with rubber o-ring ③.
- clean and re-insert.

REPLACING TEMPERATURE CARTRIDGE

- After removing handle and trim plate shut off water supply to the valve using the supply stops.
- Unscrew diverter cover ④.
- Unscrew brass nut ⑤ which holds the cartridge in place.
- Pull out cartridge ⑥. To determine if the cartridge is working properly shake cartridge from side to side. The internal piston should make a clicking noise.
- Clean cartridge and dry. Lightly grease the seals (only use grease) and re-insert. Ensure that the cartridge is inserted correctly by aligning with the guide hole.

