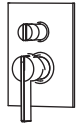


## 145.3300 | Two Output Shower W/ Rain Head & Hand Held



### COMPONENTS

- HS1002SA - 12" Shower Arm
- HS1002A - 8" Shower Head
- 145.2100T - Shower Trim
- PBV.1005A - Shower Valve
- HS5100 - Hand Held
- HS8008 - Wall Elbow w/ Holder
- SP.150EM - 1.5m Hose

### SHOWER VALVE:

- Pressure balance shower valve
- Valve includes service stops
- Lift bottom handle to control volume
- Turn left for hot, right for cold
- Top handle controls water diversion
- 1/2" NPT

### SHOWER HEAD:

- Solid brass construction
- 1.8 GPM flow rate

### HAND HELD:

- Solid Brass construction
- 1.8 GPM flow rate
- With back flow prevention check valve

### STANDARDS:

- ASME A112.18.1 / CSA B125.1

See individual component specification sheets on following pages for further details.



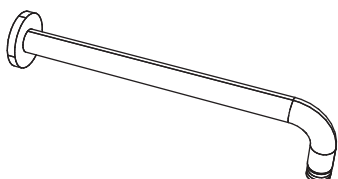
**HS1002SA | Round Shower Arm - 300mm - 12"**

**SPECIFICATIONS:**

- Solid Brass Shower Arm
- With Sliding Flange

**FAST SHIP FINISHES :**

- Chrome - HS1002SACP / Brushed Nickel - HS1002SABN



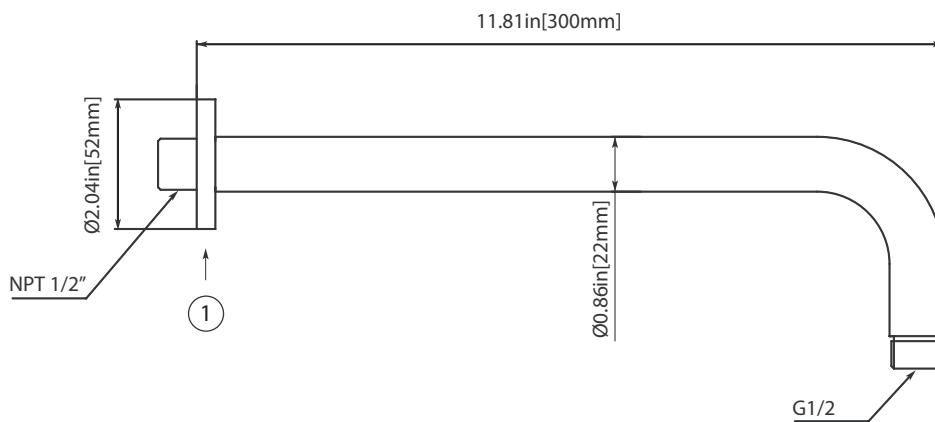
Legislation Compliance



ZeroDrip Technology



**Technical Diagram**



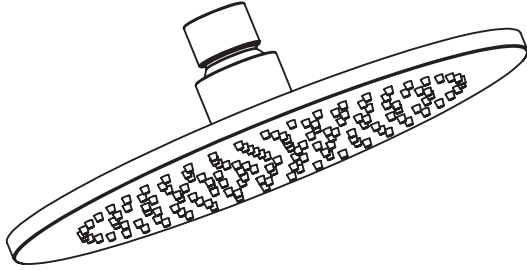
**Part Number Guide:**

- ① Flange - HS1002SA-1253CP - Chrome  
HS1002SA-1253BN - Brushed Nickel

## HS1002A | 8" Brass Shower Head

### SPECIFICATIONS:

- Solid Brass Shower Head
- Scrub rubber nozzles to easily clean water sediment
- 1.8 GPM Flow Rate



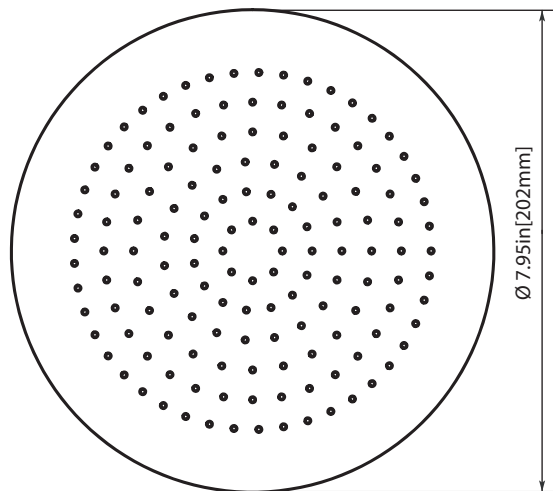
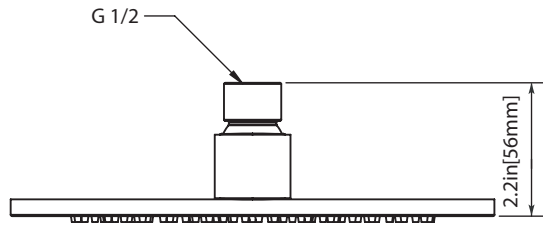
Legislation Compliance



ZeroDrip Technology

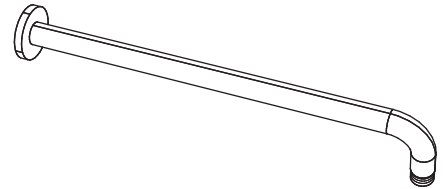


### Technical Diagram

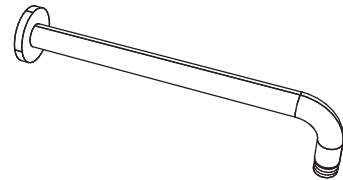


### MATCHING SHOWER ARMS:

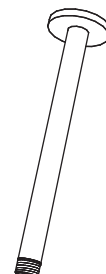
1) HS1012SA (16" Wall Mount Shower Arm)



2) HS1002SA (12" Wall Mount Shower Arm)

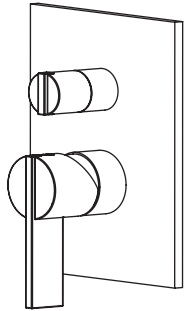


3) 100.12CSA (10" Ceiling Mount Shower Arm)



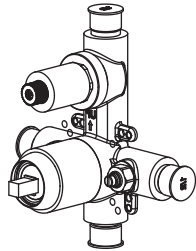


**145.2100 | Tub / Shower Trim Set With Pressure Balance Valve & 2-Way Diverter with Integrated Volume Control**



Trim  
[145.2100T\*\*]

+



Valve  
[PBV1005A\*\*]

\*\* Denotes Finish (CP, BN, etc.)

**SPECIFICATIONS:**

- Includes Pressure balance valve (PBV1005A\*\*) w/ service stops
- Lift Handle to control volume. Turn left for hot, right for cold.
- Small knob controls 2-way water diversion
- Pressure Balance Valve Flow Rate - 5.5 GPM @ 60 PSI
- Extension Available - PBV.2100E\*\*

**FAST SHIP FINISHES:**

- Chrome - UF.2100CP / Brushed Nickel - UF.2100BN

Legislation Compliance

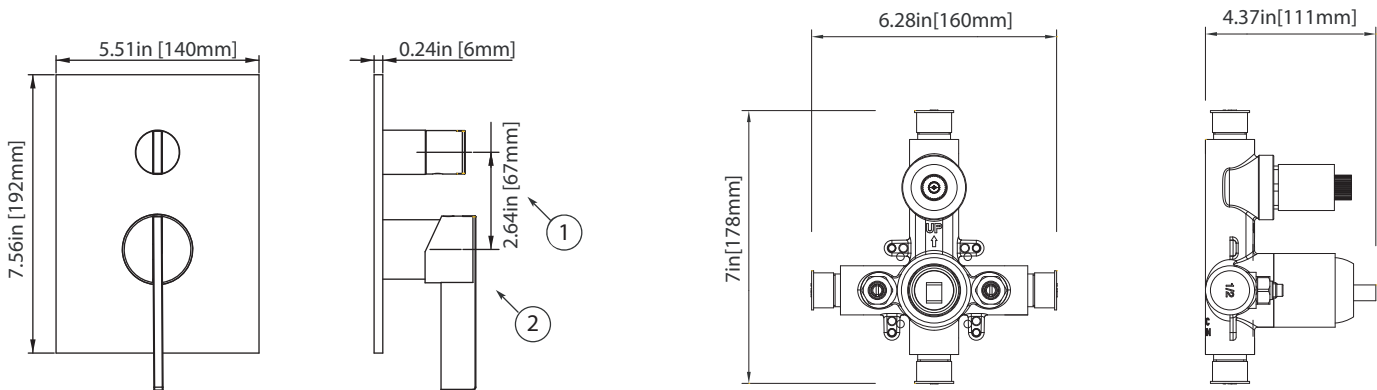


ZeroDrip Technology

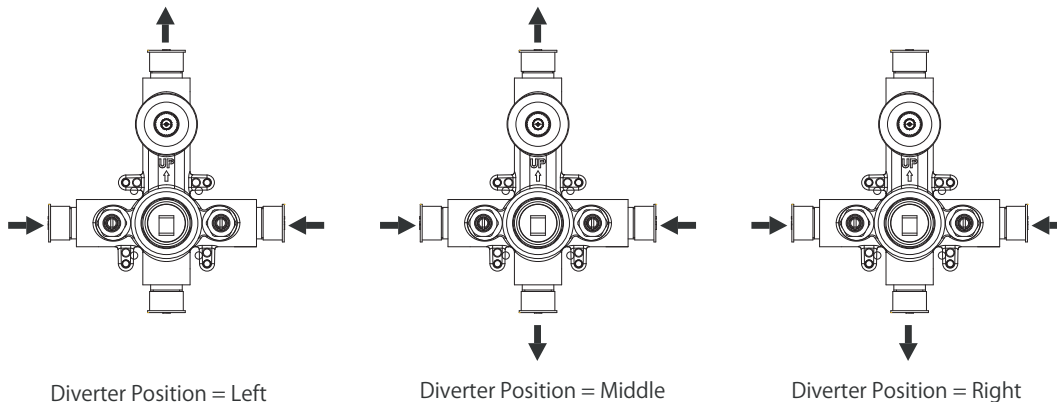


See Spec Sheet For  
PBV1005A For Detailed  
Information On Valve.

**Technical Diagram**



**Water Diversion Diagram**





**PBV1005A | Pressure Balance Valve With Integrated 2-Way Diverter** Page 1 of 2

**SPECIFICATIONS:**

- Lift Handle to control volume. Turn left for hot, right for cold.
- Knob controls 2-way water diversion - shared output.
- Pressure Balance Valve Flow Rate - 5.5 GPM @ 60 PSI

**FAST SHIP FINISHES :**

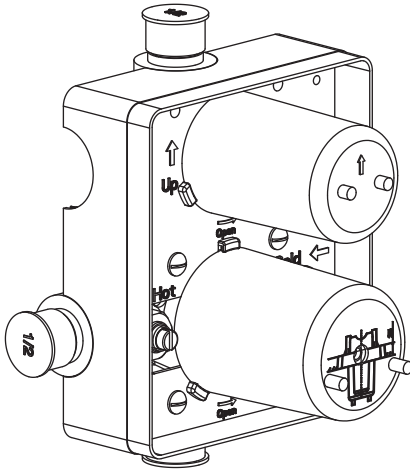
- Chrome - PBV1005ACP / Brushed Nickel - PBV1005ABN /

**STANDARDS:**

- ASME A112.18.1 / CSA B125.1

**WARRANTY:**

- Limited lifetime warranty to the original consumer purchaser against finish and workmanship

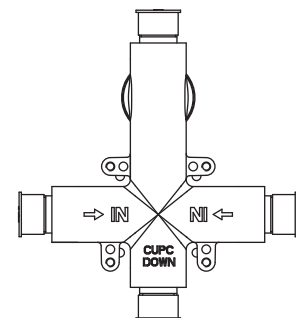
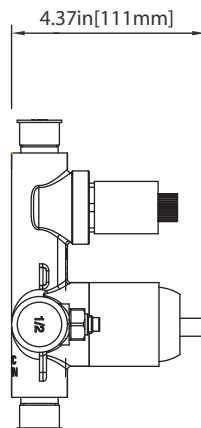
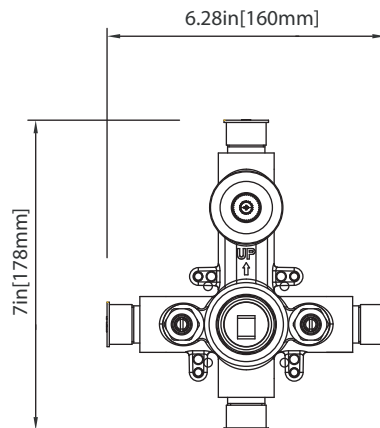
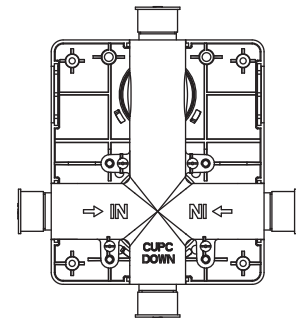
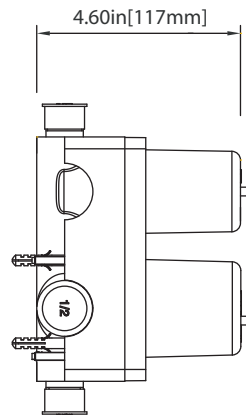
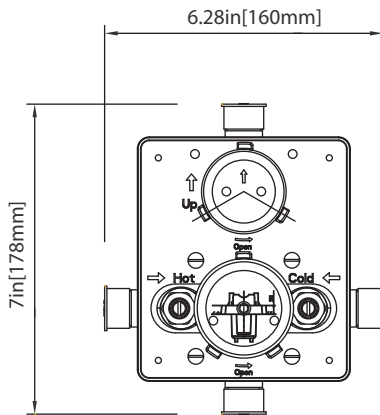


Legislation Compliance

ZeroDrip Technology



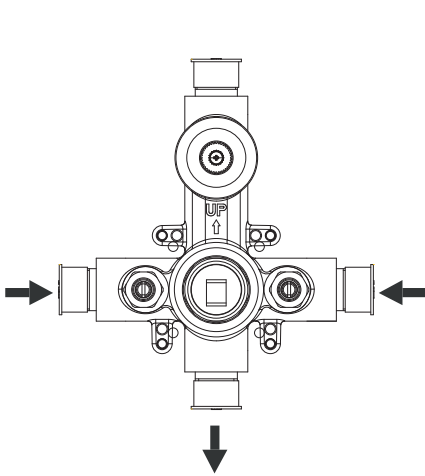
**Technical Diagram**



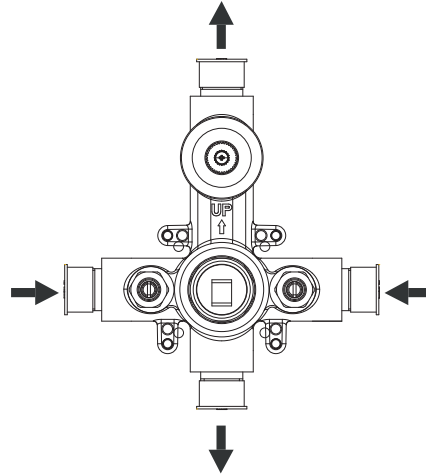
PBV1005A | Pressure Balance Valve With Integrated 2-Way Diverter Page 2 of 2



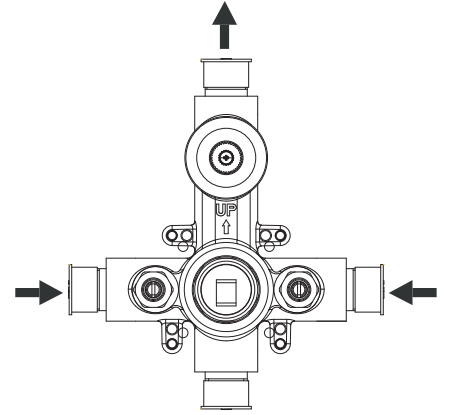
Water Diversion Diagram



Diverter Position = Left



Diverter Position = Middle  
Shared Flow is Low Transition Flow

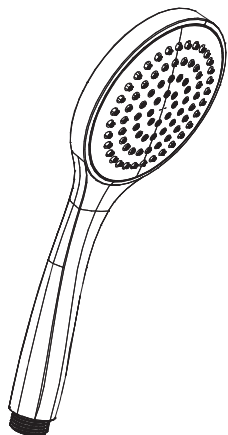


Diverter Position = Right

## HS5100 | 100mm Single Function Hand-Shower

### SPECIFICATIONS:

- ABS Construction
- Scrub nozzles to easily clean water sediment
- 1.8 GPM Flow Rate
- Includes backflow prevention check valve



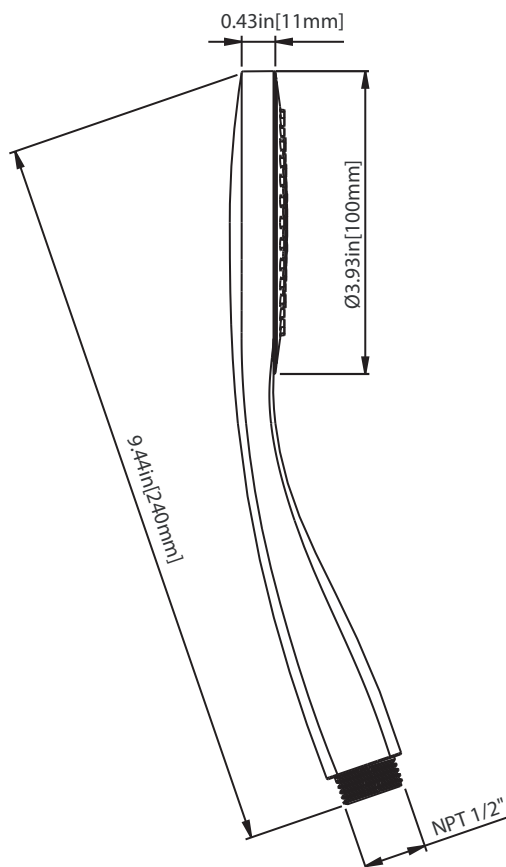
Legislation Compliance



ZeroDrip Technology

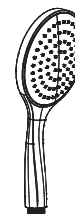


### Technical Diagram



### SEE ALSO:

1) HS5130 (130mm)



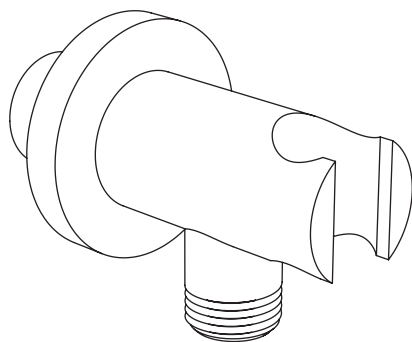
## HS8008 | Wall Elbow With Holder Combo

### SPECIFICATIONS:

- Solid Brass construction
- Includes check valve with back flow prevention.

### FAST SHIP FINISHES :

- Chrome - HS8008CP / Brushed Nickel - HS8008BN



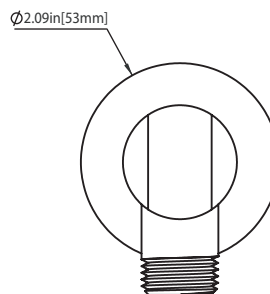
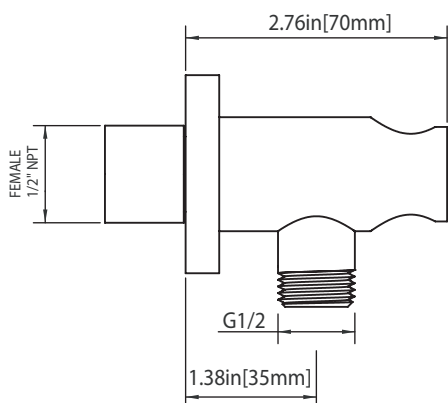
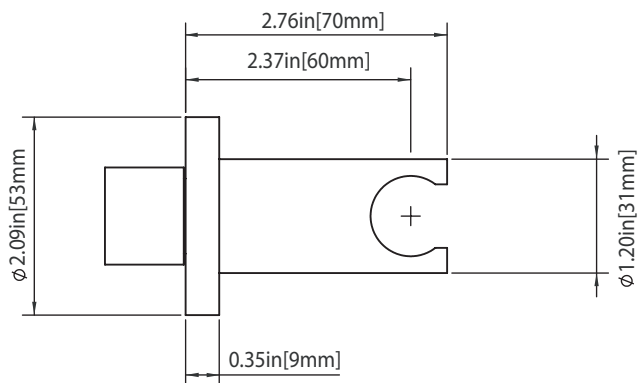
Legislation Compliance



ZeroDrip Technology



### Technical Diagram





## SP.150EM | Easy Maneuver Hose



### SPECIFICATIONS:

- Stainless steel construction
- G-1/2" connection
- 1.5m length

Legislation Compliance



ZeroDrip Technology



## Technical Diagram

