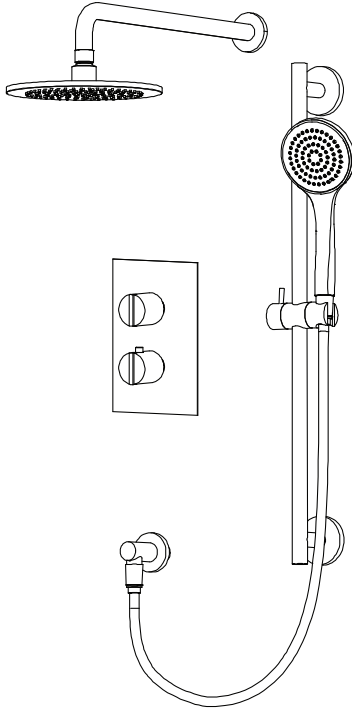


## 145.7100 | Two Output Shower W/ Rain Head, Hand Held & Slide Bar



### COMPONENTS

- HS1012SA - 16" Shower Arm
- HS1002A - 8" Shower Head
- 145.4000T - Shower Trim
- TVH.4420F - Shower Valve
- HS5100 - Hand Held
- 100.5502 - Wall Elbow
- SP.150EM - 1.5m Hose
- 100.601001A - Slide Bar

### SHOWER VALVE:

- Thermostatic shower valve w/ stops
- Turn bottom handle to set temp.
- Top handle controls water diversion
- Includes 15109 non-shared cartridge

### SHOWER HEAD:

- Solid brass construction
- 1.8 GPM flow rate

### HAND HELD W/ SLIDE BAR & ELBOW:

- Solid Brass constr. w/ ABS hand held
- Hand held flow rate = 1.8 GPM
- 1/2" female NPT elbow connection
- With back flow prevention check valve

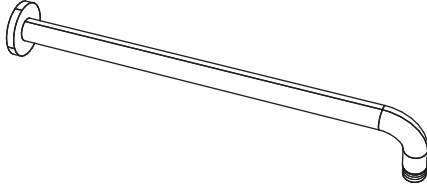
### STANDARDS:

- ASME A112.18.1 / CSA B125.1

See individual component specification sheets on following pages for further details.



**HS1012SA | Round Shower Arm - 400mm - 16"**



**SPECIFICATIONS:**

- Solid Brass Shower Arm
- With Sliding Flange

**FAST SHIP FINISHES :**

- Chrome - HS1012SACP / Brushed Nickel - HS1012SABN

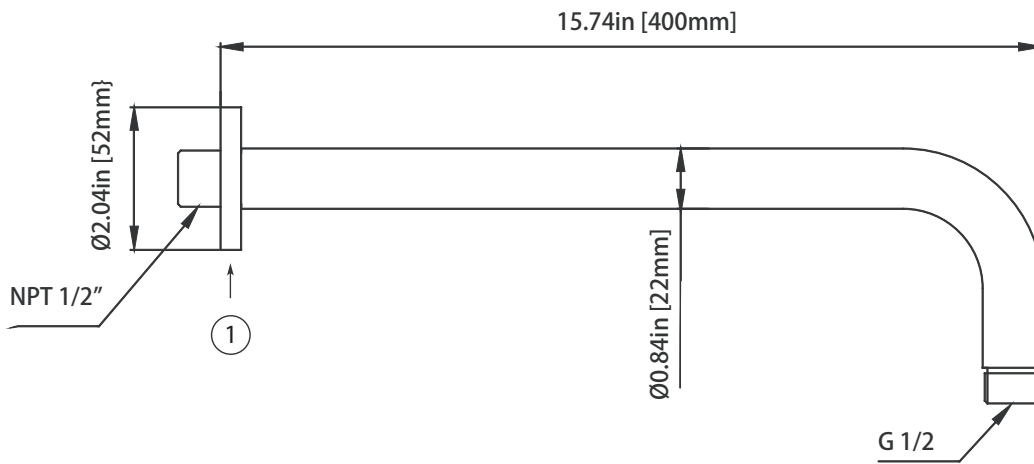
Legislation Compliance



ZeroDrip Technology



**Technical Diagram**



**NOT TO SCALE**

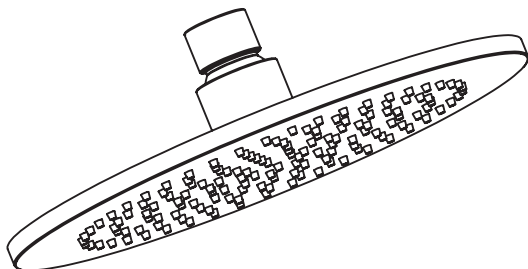
**Part Number Guide:**

- ① Flange - HS1002SA-1253CP - Chrome  
HS1002SA-1253BN - Brushed Nickel

**HS1002A | 8" Brass Shower Head**

**SPECIFICATIONS:**

- Solid Brass Shower Head
- Scrub rubber nozzles to easily clean water sediment
- 1.8 GPM Flow Rate



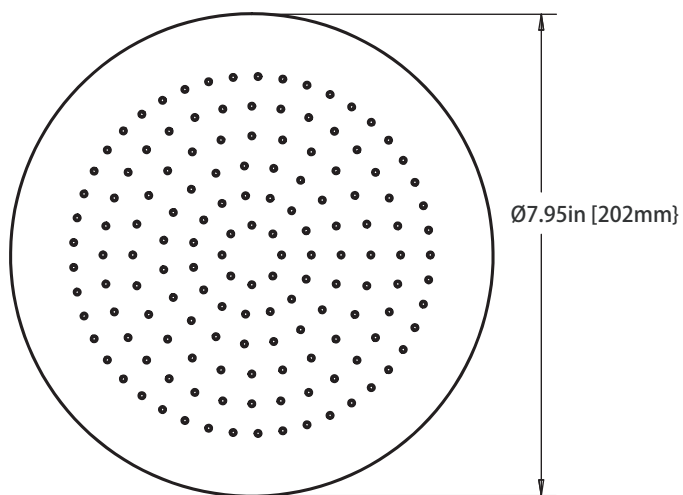
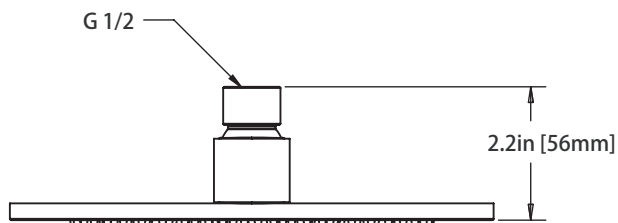
Legislation Compliance



ZeroDrip Technology

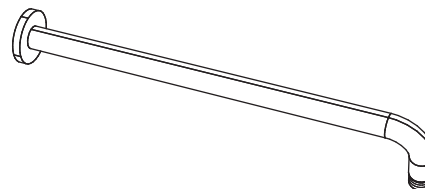


**Technical Diagram**

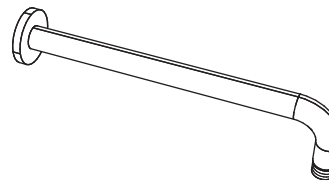


**MATCHING SHOWER ARMS:**

1) HS1012SA (16" Wall Mount Shower Arm)



2) HS1002SA (12" Wall Mount Shower Arm)



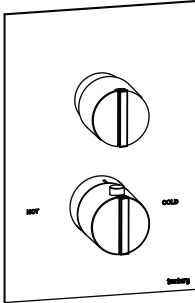
3) 100.12CSA (10" Ceiling Mount Shower Arm)



## 145.4000T | Thermostatic Shower Trim

### SPECIFICATIONS:

- Solid Brass construction
- Valve not included - trim only
- Turn bottom handle to control temperature.
- Turn top handle to divert water & control volume



CALGreen Compliant



Belgian Mirror Finish



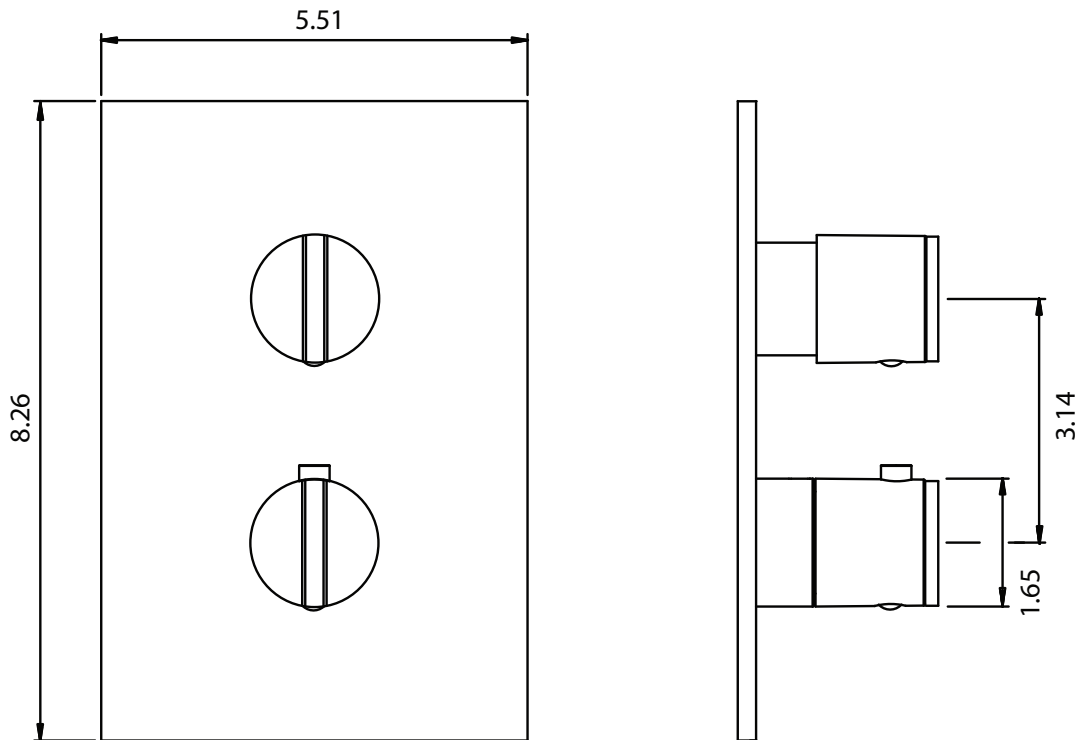
Legislation Compliance



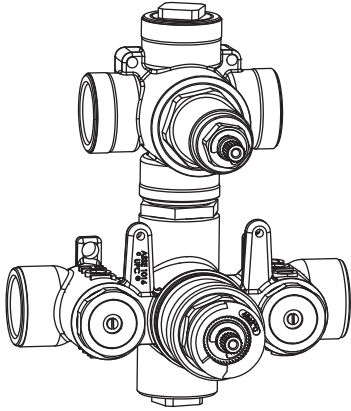
ZeroDrip Technology



### Technical Diagram



TVH.4420F | 3/4" Thermostatic Valve With 2-Way Diverter & Integrated Volume Control  
Page 1 of 2



SPECIFICATIONS:

- Turn bottom knob to control temperature.
- Turn top knob to control water flow.
- Thermostatic Valve Flow Rate - 8.0 GPM @ 60 PSI
- Extension Available - TVH.4101E\*\*

STANDARDS:

- ASME A112.18.1 / CSA B125.1

**!** A separate volume control is **not** needed to turn water supply off. Volume control functionality is integrated within this valve.

CALGreen Compliant



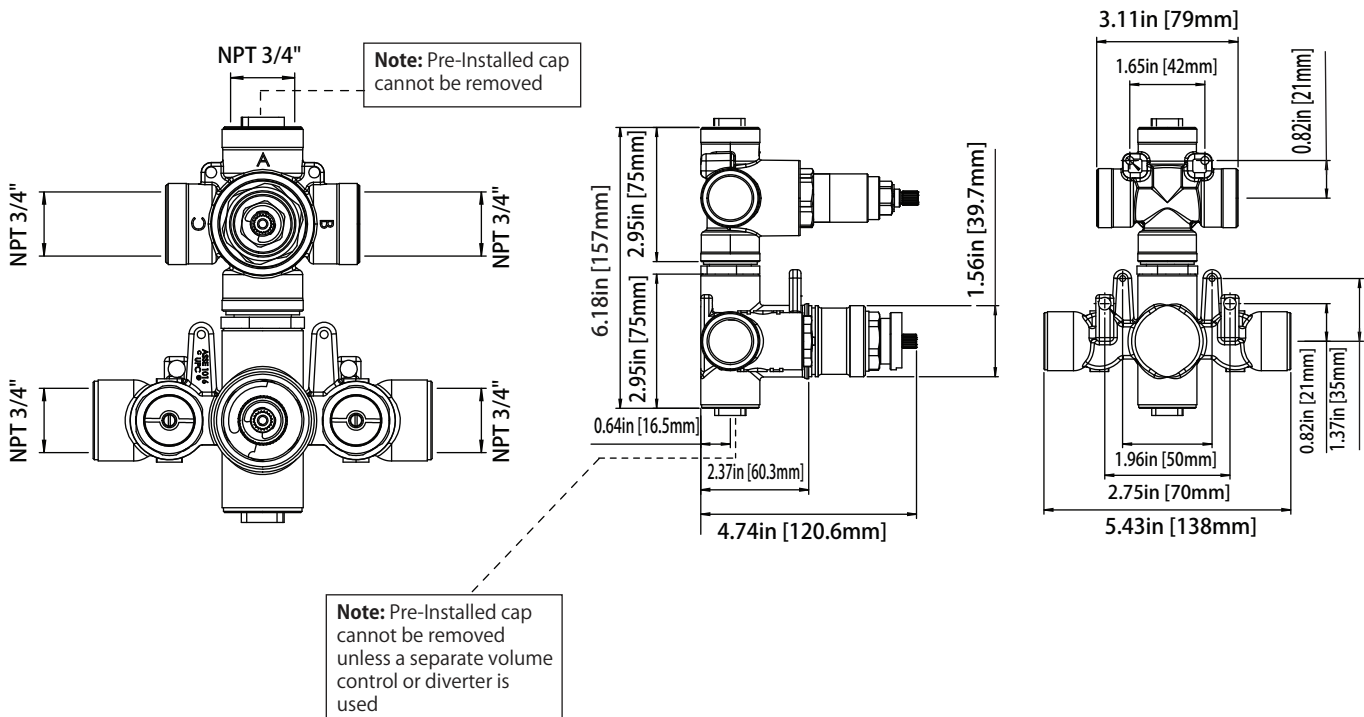
Legislation Compliance



ZeroDrip Technology



Technical Diagram



TVH.4420F | 3/4" Thermostatic Valve With 2-Way Diverter & Integrated  
Volume Control Page 2 of 2



**TWO OUTPUT - CAL-GREEN - NO SHARED PORT OPERATION**

Diverter Cartridge # - **15109** (Included)

Total 3 Positions as defined below, with **only** 1 port active at one time.

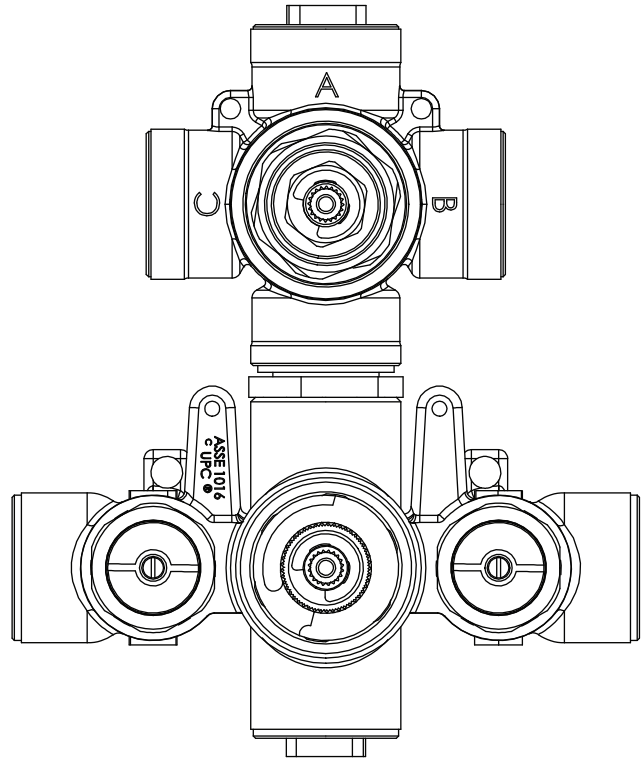
- Position 0 - Off - No Water Flow
- Position 1 - Output B Activated
- Position 2 - Output C Activated

**TWO OUTPUT - SHARED PORT OPERATION**

Diverter Cartridge # - **15103** (Not Included)

Total 4 Positions as defined below, with 2 ports active at one time.

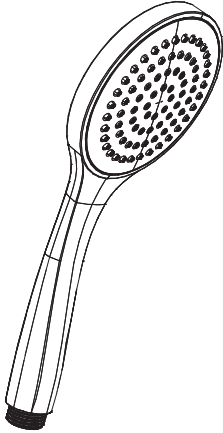
- Position 0 - Off - No Water Flow
- Position 1 - Output B Activated
- Position 2 - Output B+C Activated
- Position 3 - Output C Activated



## HS5100 | 100mm Single Function Hand-Shower

### SPECIFICATIONS:

- ABS Construction
- Scrub nozzles to easily clean water sediment
- 1.8 GPM Flow Rate
- Includes backflow prevention check valve



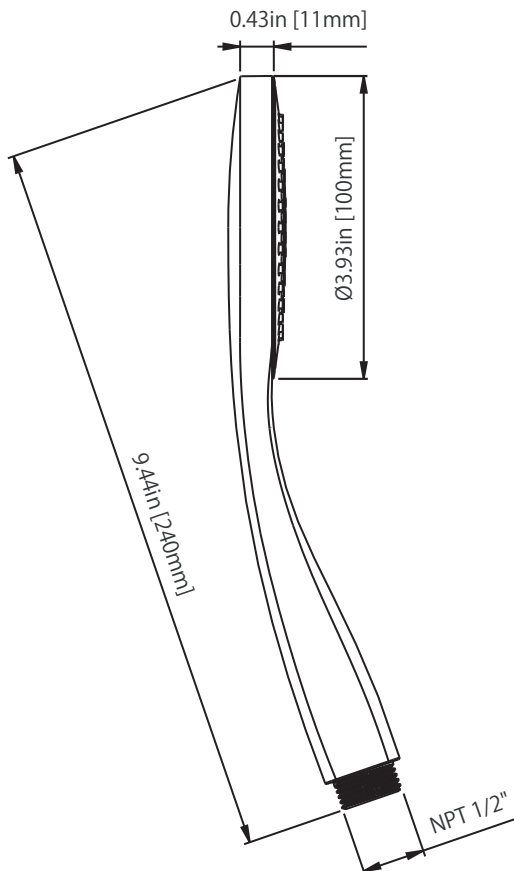
Legislation Compliance



ZeroDrip Technology

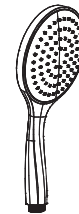


### Technical Diagram

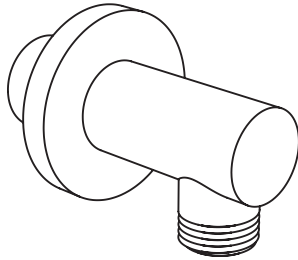


### SEE ALSO:

- 1) HS5130 (130mm)



100.5502 | Wall Elbow



**SPECIFICATIONS:**

- Solid Brass construction
- 1/2" female connection with adjustment
- Includes check valve with back-flow prevention

**FAST SHIP FINISHES :**

- Chrome - 100.5505CP / Brushed Nickel - 100.5505BN

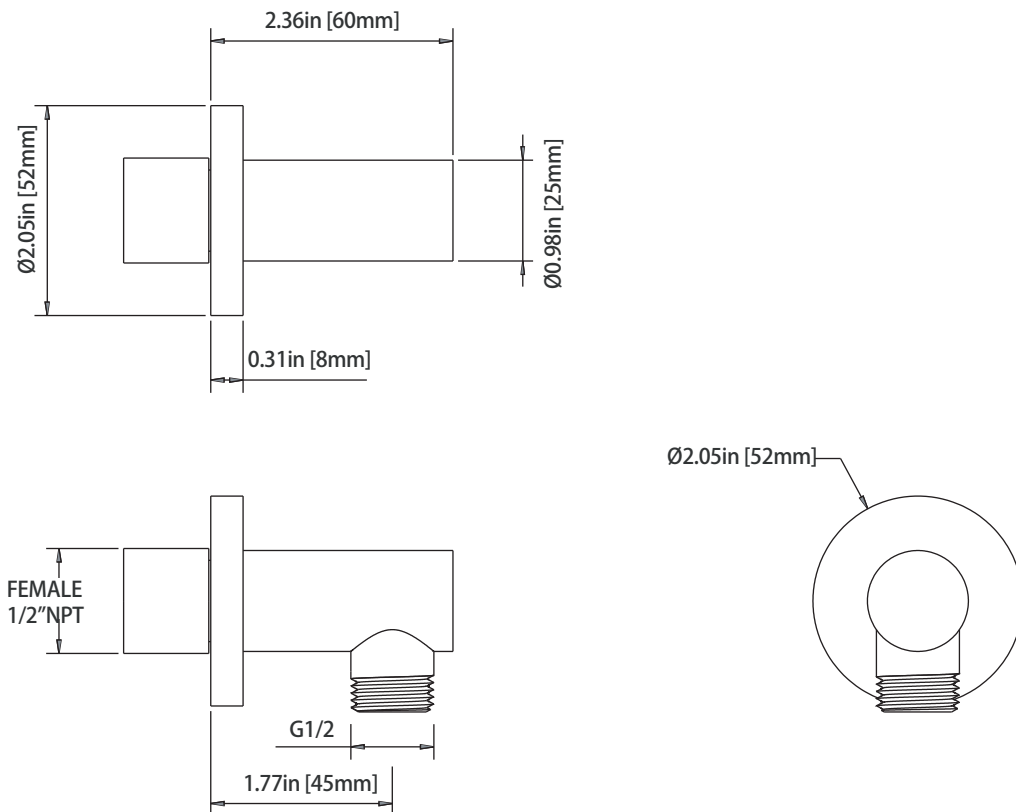
Legislation Compliance



ZeroDrip Technology



**Technical Diagram**





## SP.150EM | Easy Maneuver Hose



### SPECIFICATIONS:

- Stainless steel construction
- G-1/2" connection
- 1.5m length

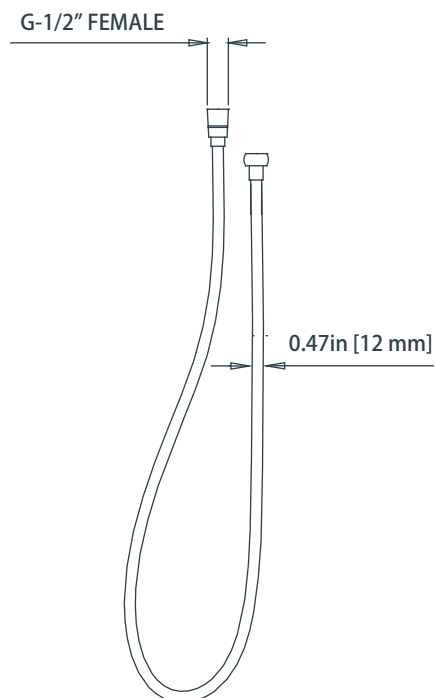
Legislation Compliance



ZeroDrip Technology



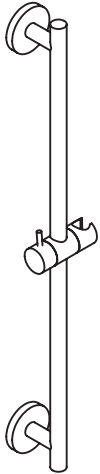
### Technical Diagram



100.601001A | Slide Bar

SPECIFICATIONS:

- Solid Brass Construction
- Easy front of wall installation



Legislation Compliance



ZeroDrip Technology



Technical Diagram

