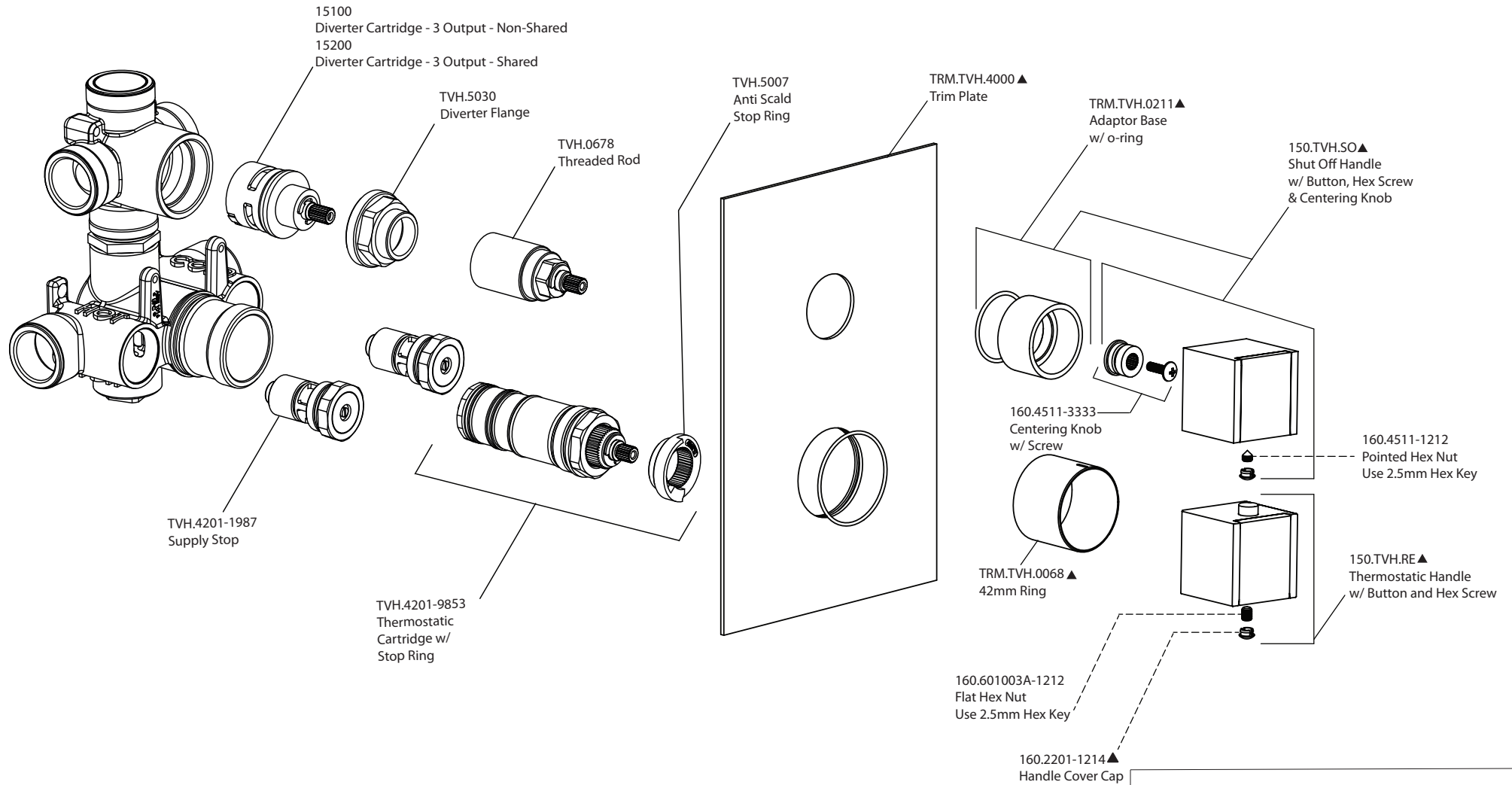


Product Parts Breakdown

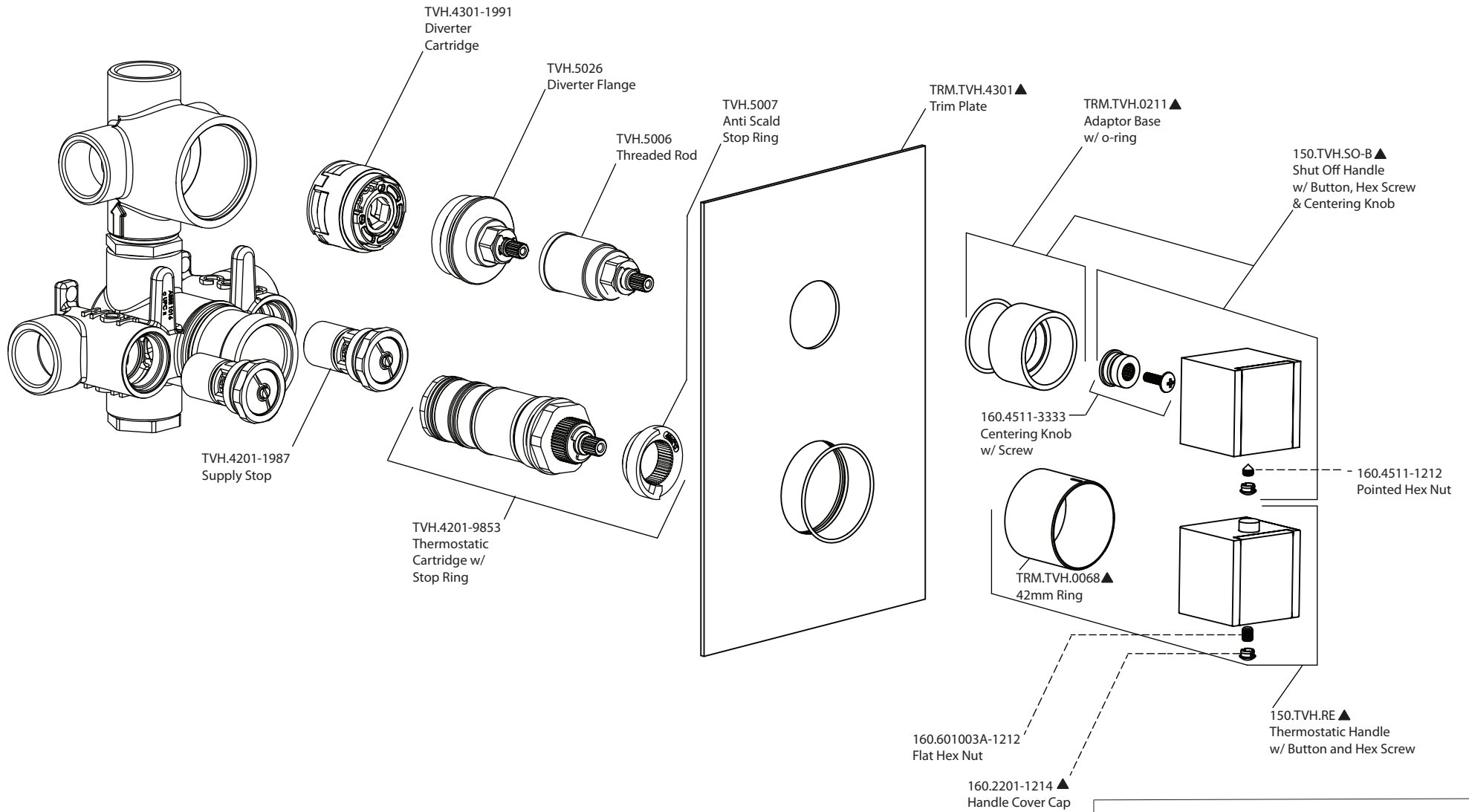
Using TVH.4301F Valve



isenberg
innovation+design

150.4301

Product Parts Breakdown Using TVH.4301 Valve



isenberg
innovation+design

150.4301