

# Product Parts Breakdown Using TVH.4420F Valve

15109  
Diverter Cartridge - 2 Output - Non-Shared  
15103  
Diverter Cartridge - 2 Output - Shared

TVH.5030  
Diverter Flange

TVH.0678  
Threaded Rod

TVH.5007  
Anti Scald  
Stop Ring

TRM.TVH.4000▲  
Trim Plate

TRM.TVH.0211▲  
Adaptor Base  
w/ o-ring

150.TVH.SO▲  
Shut Off Handle  
w/ Button, Hex Screw  
& Centering Knob

TVH.4201-1987  
Supply Stop

TVH.4201-9853  
Thermostatic  
Cartridge w/  
Stop Ring

160.4511-3333  
Centering Knob  
w/ Screw

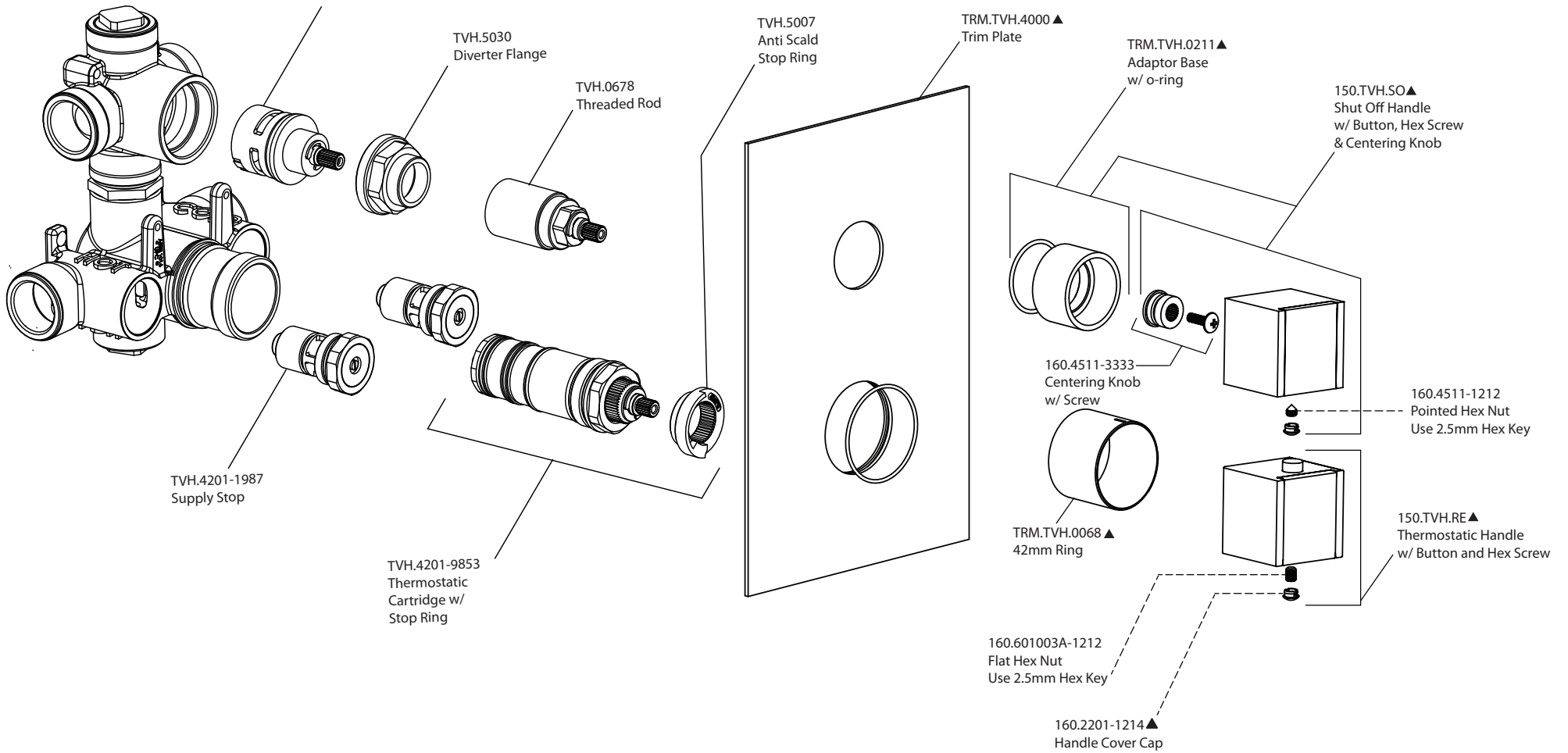
160.4511-1212  
Pointed Hex Nut  
Use 2.5mm Hex Key

TRM.TVH.0068▲  
42mm Ring

150.TVH.RE▲  
Thermostatic Handle  
w/ Button and Hex Screw

160.601003A-1212  
Flat Hex Nut  
Use 2.5mm Hex Key

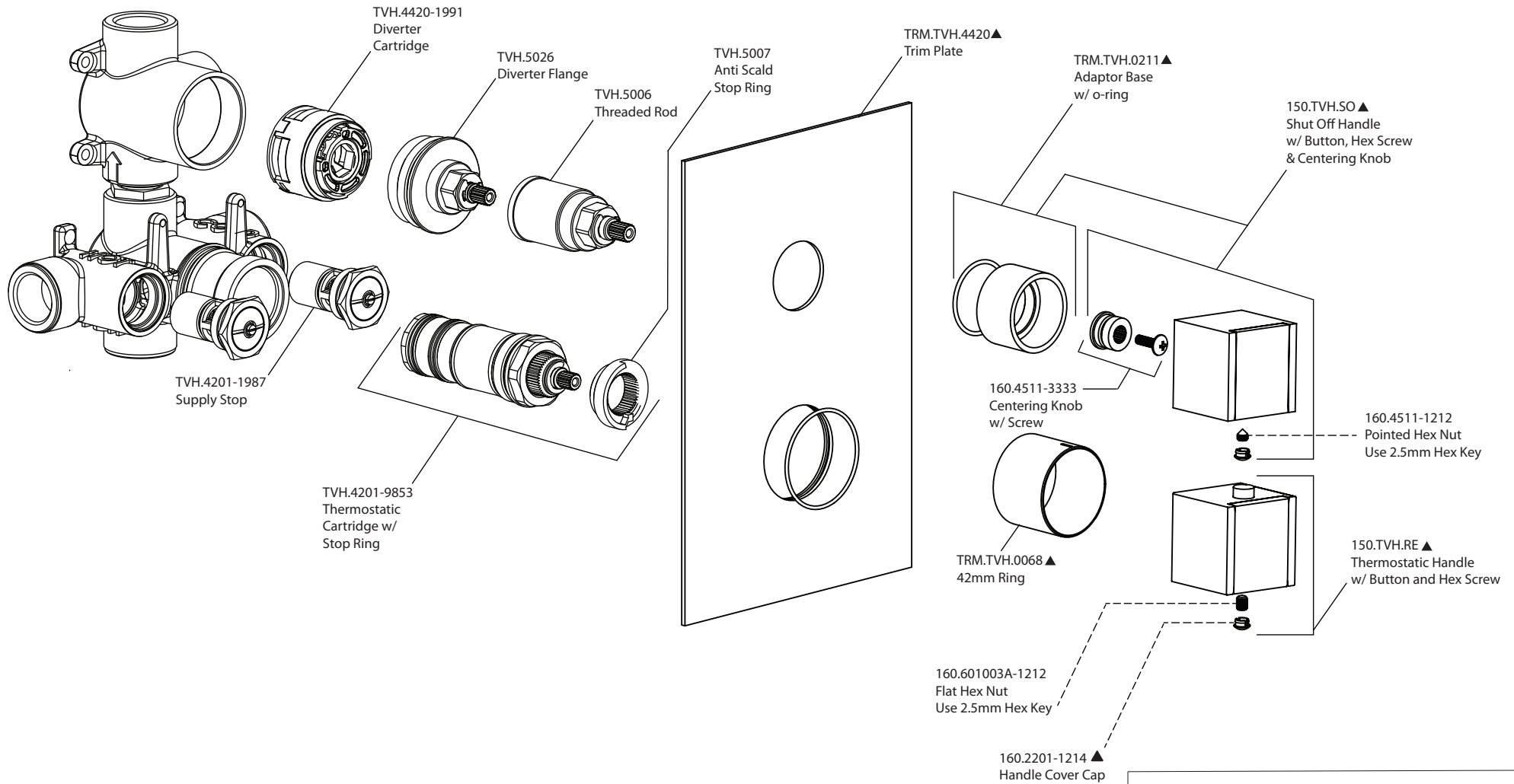
160.2201-1214▲  
Handle Cover Cap



**isenberg**  
innovation+design

150.4420

# Product Parts Breakdown Using TVH.4420 Valve



**isenberg**  
innovation+design

150.4420