



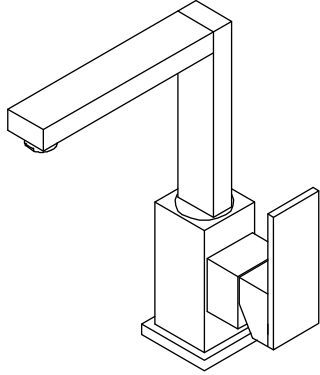
**160.1500 | Single Hole Faucet**

**SPECIFICATIONS:**

- Solid Brass construction
- Single Hole Installation
- 1.5 GPM Flow Rate @ 60 PSI (1.2 GPM For California)
- Ceramic disc cartridge allows both volume and temperature control

**STANDARDS:**

- ASME A112.18.1 / CSA B125.1, NSF-61



LowFlow Capable



Legislation Compliance



Low Lead Compliant



ZeroDrip Technology



**Technical Diagram**

