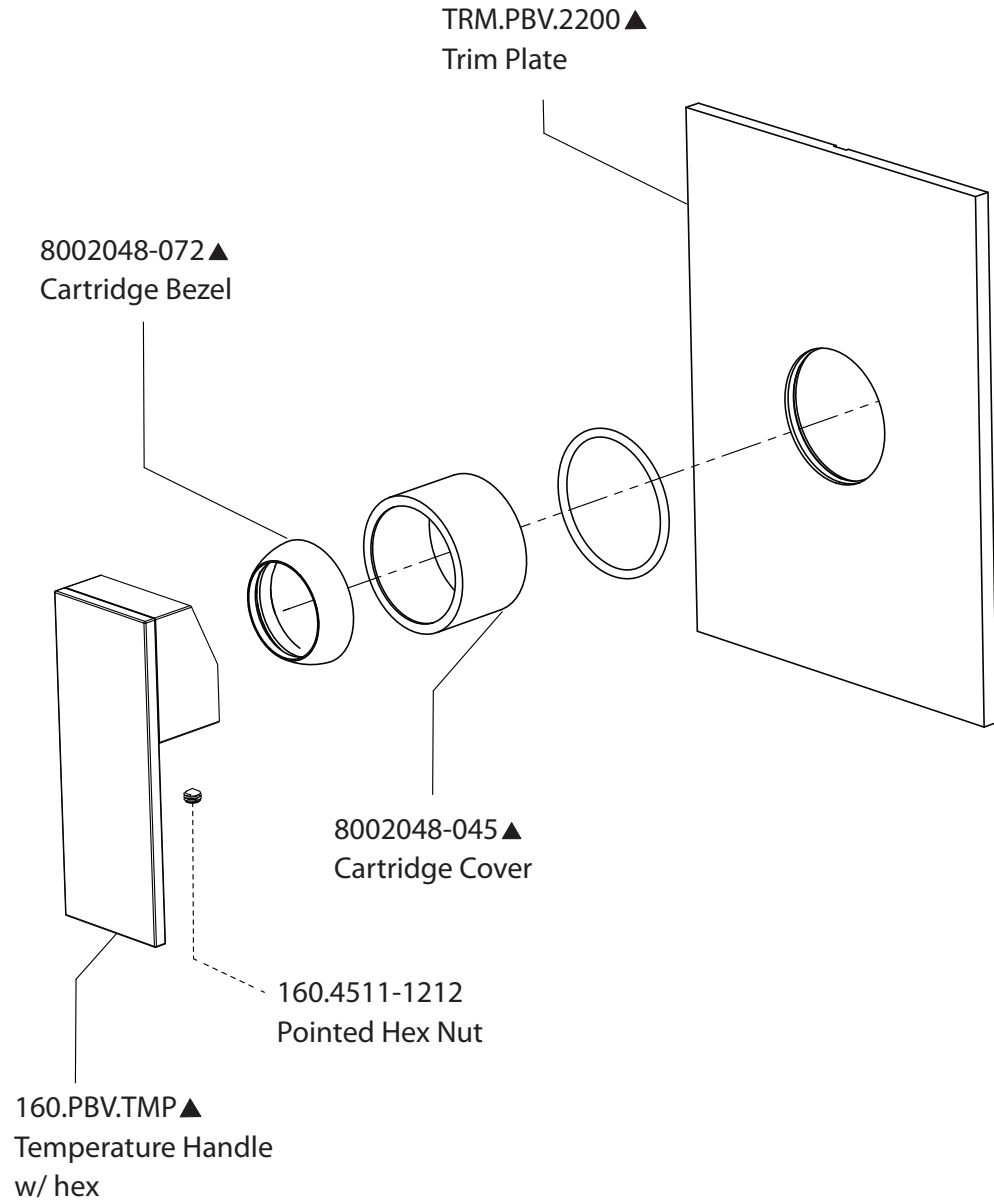


Product Parts Breakdown



isenberg
innovation+design

160.2201T