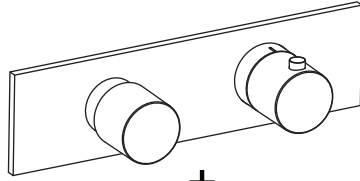
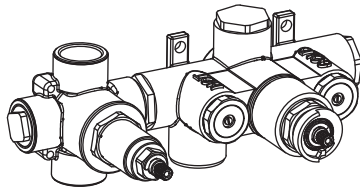




**100.2717 | 3/4" Thermostatic Valve With 2-Way Diverter & Integrated Volume Control**



+



Valve [TVH.2717F] + Trim [100.2693T\*\*]

**SPECIFICATIONS:**

- Turn right knob to control temperature.
- Turn left knob to control water flow.
- Thermostatic Valve Flow Rate - 8.0 GPM @ 60 PSI
- Extension Available - TVH.4101E\*\*

**STANDARDS:**

- ASME A112.18.1 / CSA B125.1

CALGreen Compliant



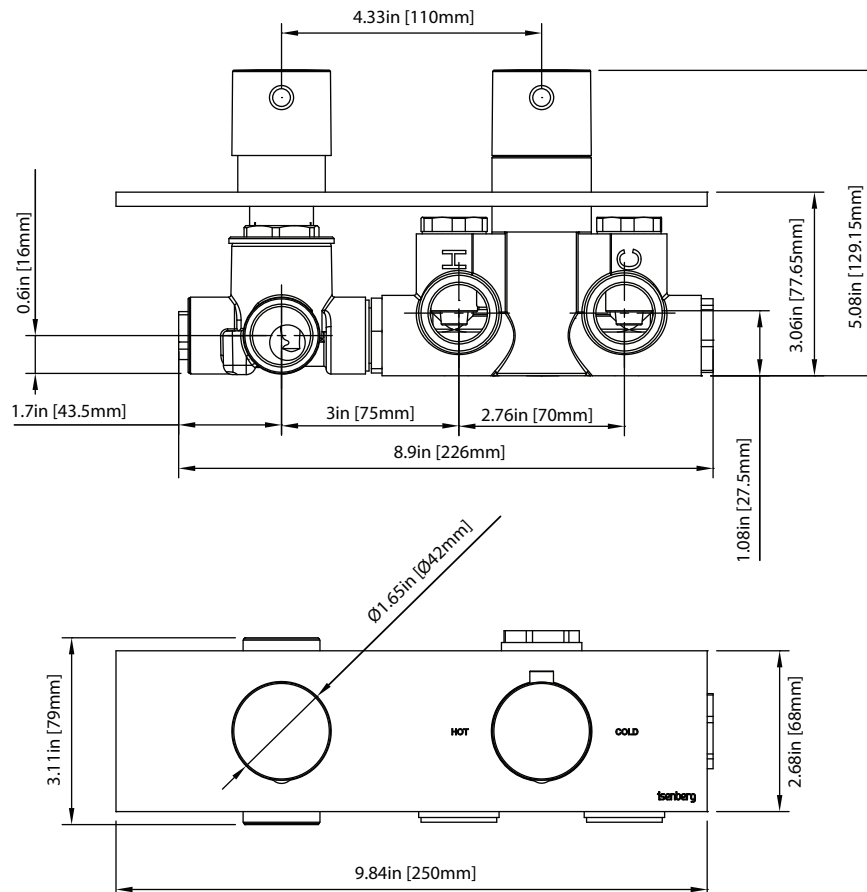
Legislation Compliance



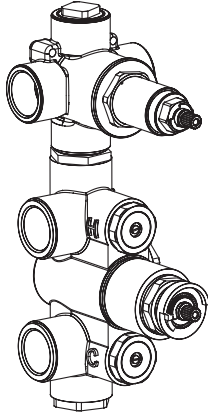
ZeroDrip Technology



**Technical Diagram**



**TVH.2717F | 3/4" Thermostatic Valve With 2-Way Diverter & Integrated Volume Control** Page 1 of 2



**SPECIFICATIONS:**

- Turn bottom knob to control temperature.
- Turn top knob to control water flow.
- Thermostatic Valve Flow Rate - 8.0 GPM @ 60 PSI
- Extension Available - TVH.4101E\*\*

**STANDARDS:**

- ASME A112.18.1 / CSA B125.1

**!** A separate volume control is **not** needed to turn water supply off. Volume control functionality is integrated within this valve.

CALGreen Compliant



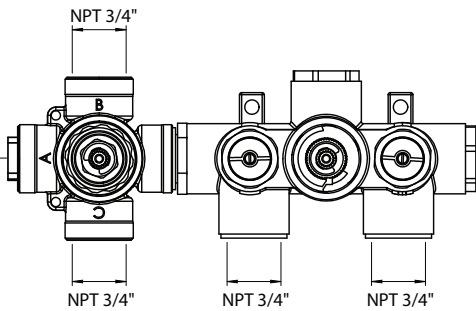
Legislation Compliance



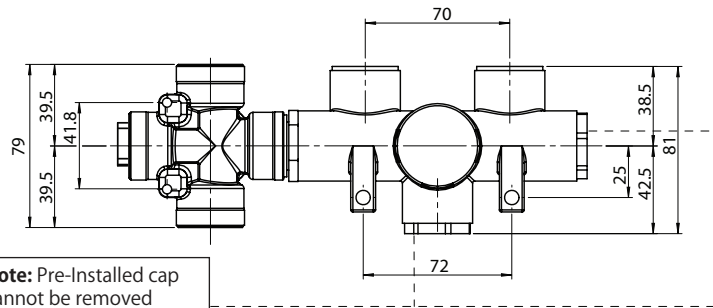
ZeroDrip Technology



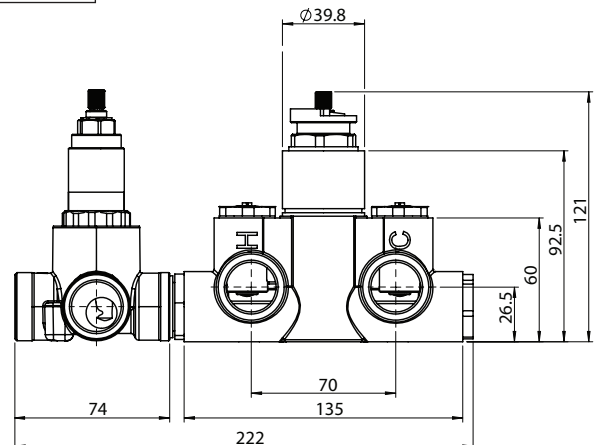
**Technical Diagram**



**Note:** Pre-Installed cap cannot be removed



**Note:** Pre-Installed cap cannot be removed unless a separate volume control or diverter is used



TVH.2717F | 3/4" Thermostatic Valve With 2-Way Diverter & Integrated  
Volume Control Page 2 of 2

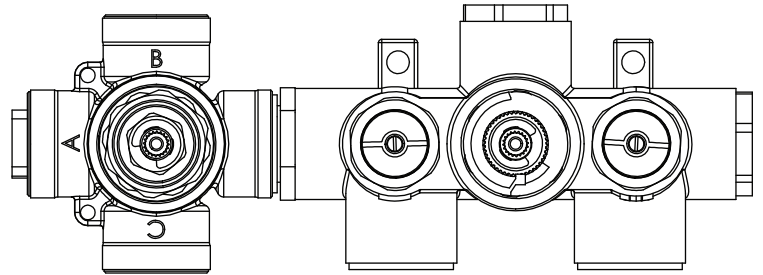


**TWO OUTPUT - CAL-GREEN - NO SHARED PORT OPERATION**

Diverter Cartridge # - **15109** (Included)

Total 3 Positions as defined below, with **only** 1 port active at one time.

- Position 0 - Off - No Water Flow
- Position 1 - Output B Activated
- Position 2 - Output C Activated



**TWO OUTPUT - SHARED PORT OPERATION**

Diverter Cartridge # - **15103** (Not Included)

Total 4 Positions as defined below, with 2 ports active at one time.

- Position 0 - Off - No Water Flow
- Position 1 - Output B Activated
- Position 2 - Output B+C Activated
- Position 3 - Output C Activated