



100.4371 | 3/4" 3-Way Diverter With Integrated Shut-Off

SPECIFICATIONS:

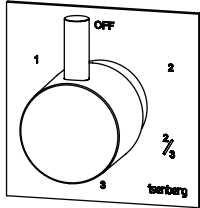
- Turn Handle for water diversion.
- Includes valve (TVH.4371)
- Valve Flow Rate - 8.0 GPM @ 60 PSI

STANDARDS:

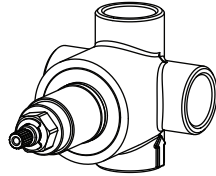
- ASME A112.18.1 / CSA B125.1

FINISHES :

- Chrome - 100.4371CP, Brushed Nickel - 100.4371BN



+



Trim
[100.4371T**]

Valve
[TVH.4371]

Belgian Mirror Finish



Legislation Compliance



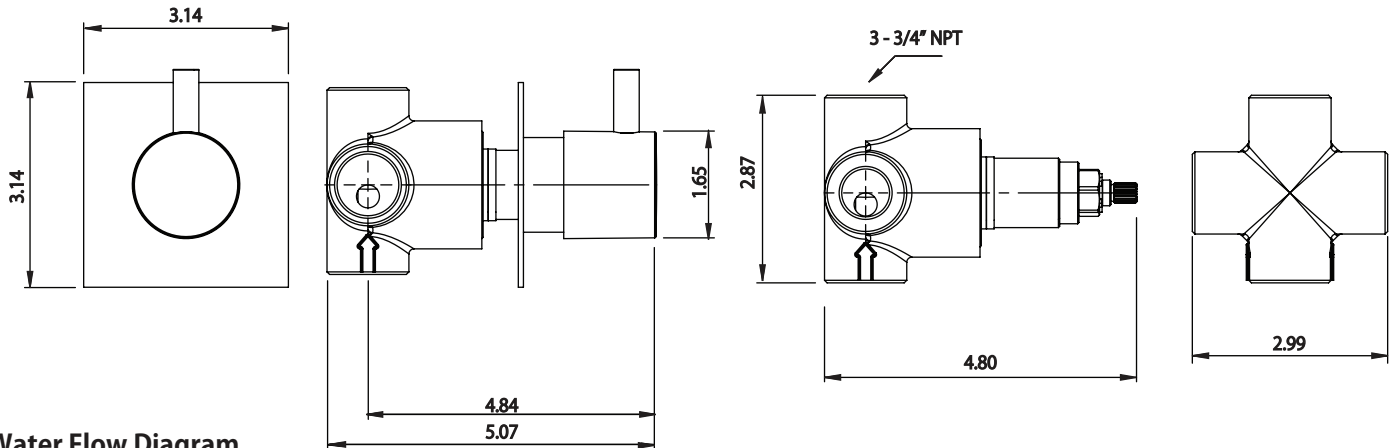
ZeroDrip Technology



! A separate volume control is **not** needed to turn water supply off. Volume control functionality is integrated within this valve.

Technical Diagram

See Spec Sheet For TVH.4371 For Detailed Information On Valve.



Water Flow Diagram

