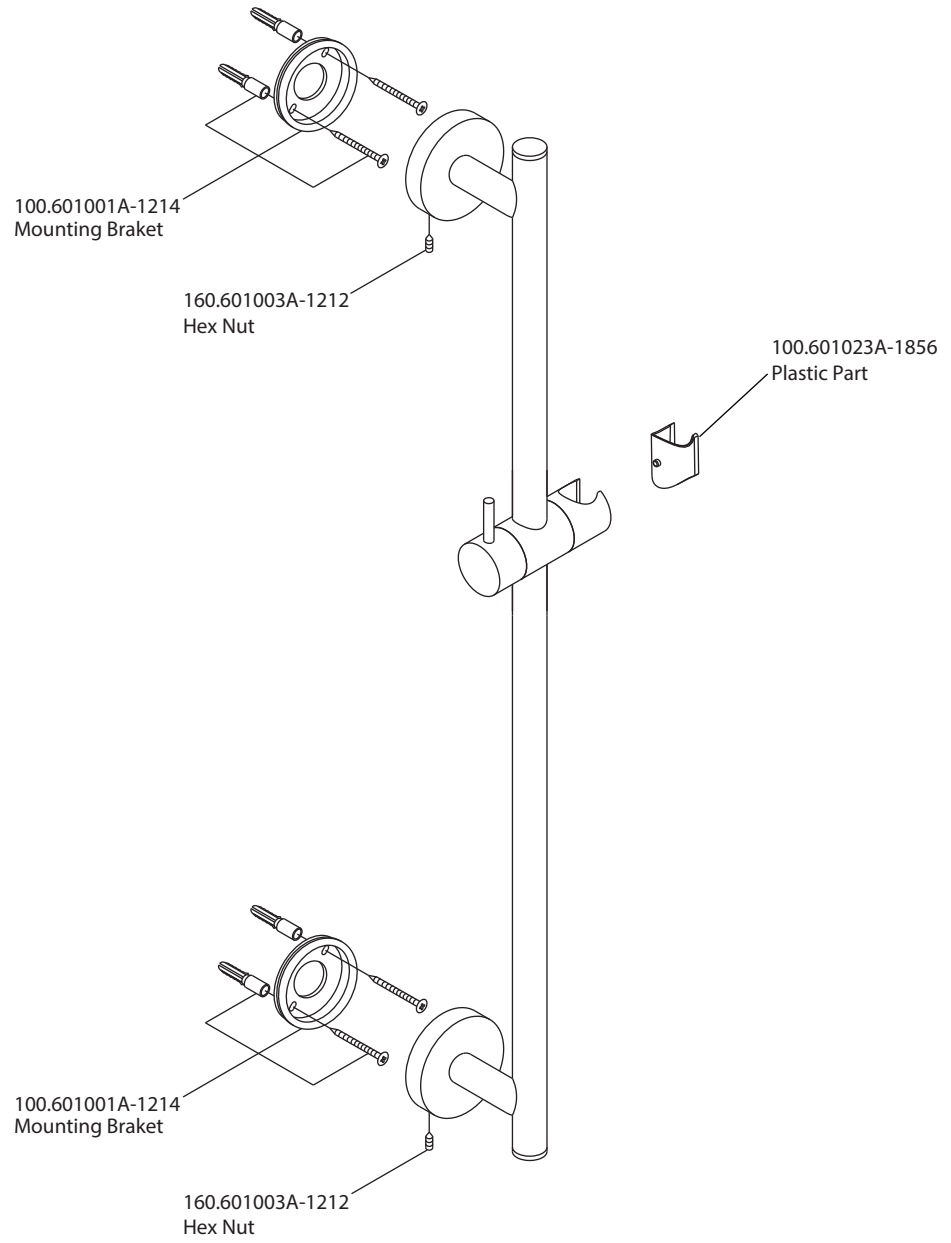


Product Parts Breakdown



isenberg
innovation+design

100.601001A

Ver 2.55