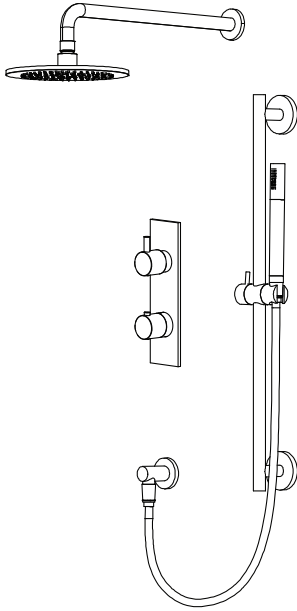


100.7300 | Two Output Shower W/ Rain Head , Hand Held & Slide Bar



COMPONENTS

- HS1012SA - 16" Shower Arm
- HS1002A - 8" Shower Head
- 100.4000VT - Shower Trim
- TVH.2717F - Shower Valve
- HS1004H - Hand Held
- 100.5502 - Wall Elbow
- SP.150EM - 1.5m Hose
- 100.601001A - Slide Bar

SHOWER VALVE:

- Thermostatic shower valve
- Valve includes service stops
- Turn bottom handle to set temp.
- Top handle controls water diversion
- Includes 15109 non-shared cartridge

SHOWER HEAD:

- Solid brass construction
- 1.8 GPM flow rate

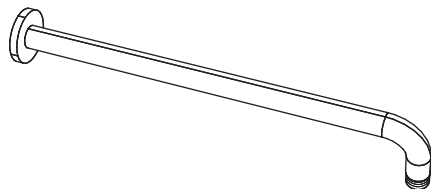
STANDARDS:

- ASME A112.18.1 / CSA B125.1

See individual component specification sheets on following pages for further details.



HS1012SA | Round Shower Arm - 400mm - 16"



SPECIFICATIONS:

- Solid Brass Shower Arm
- With Sliding Flange

FAST SHIP FINISHES :

- Chrome - HS1012SACP / Brushed Nickel - HS1012SABN

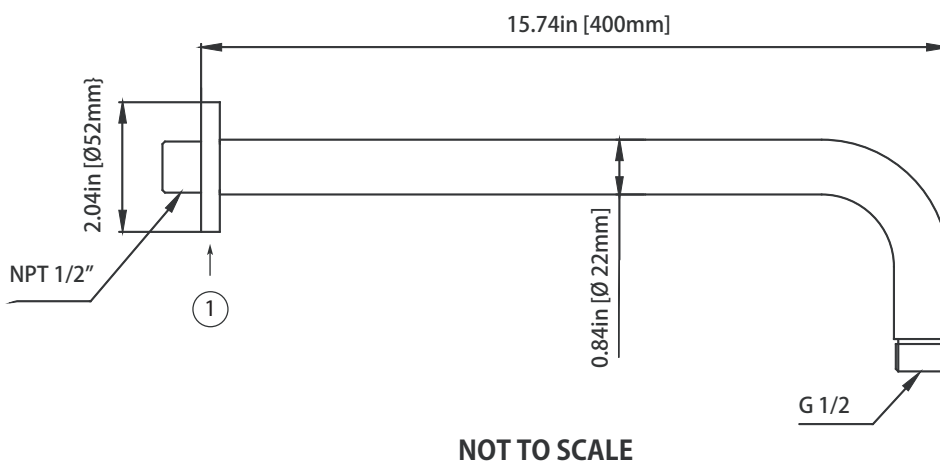
Legislation Compliance



ZeroDrip Technology



Technical Diagram



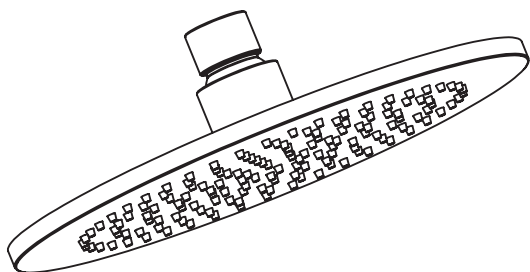
Part Number Guide:

- ① Flange - HS1002SA-1253CP - Chrome
HS1002SA-1253BN - Brushed Nickel

HS1002A | 8" Brass Shower Head

SPECIFICATIONS:

- Solid Brass Shower Head
- Scrub rubber nozzles to easily clean water sediment
- 1.8 GPM Flow Rate



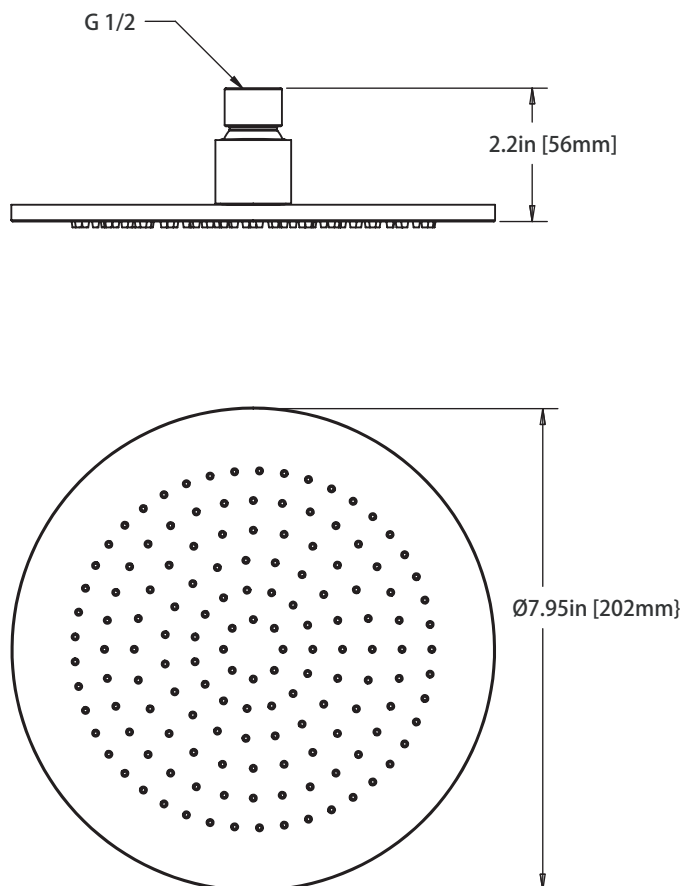
Legislation Compliance



ZeroDrip Technology

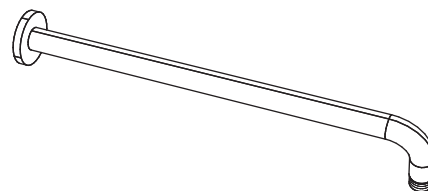


Technical Diagram

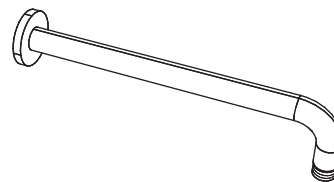


MATCHING SHOWER ARMS:

1) HS1012SA (16" Wall Mount Shower Arm)



2) HS1002SA (12" Wall Mount Shower Arm)



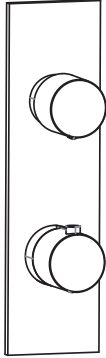
3) 100.12CSA (10" Ceiling Mount Shower Arm)



100.4000VT | Thermostatic Shower Trim

SPECIFICATIONS:

- Solid Brass Construction
- Trim Only - Valve Not Included
- Turn bottom handle to control temperature
- Turn top handle to control volume



Belgian Mirror Finish



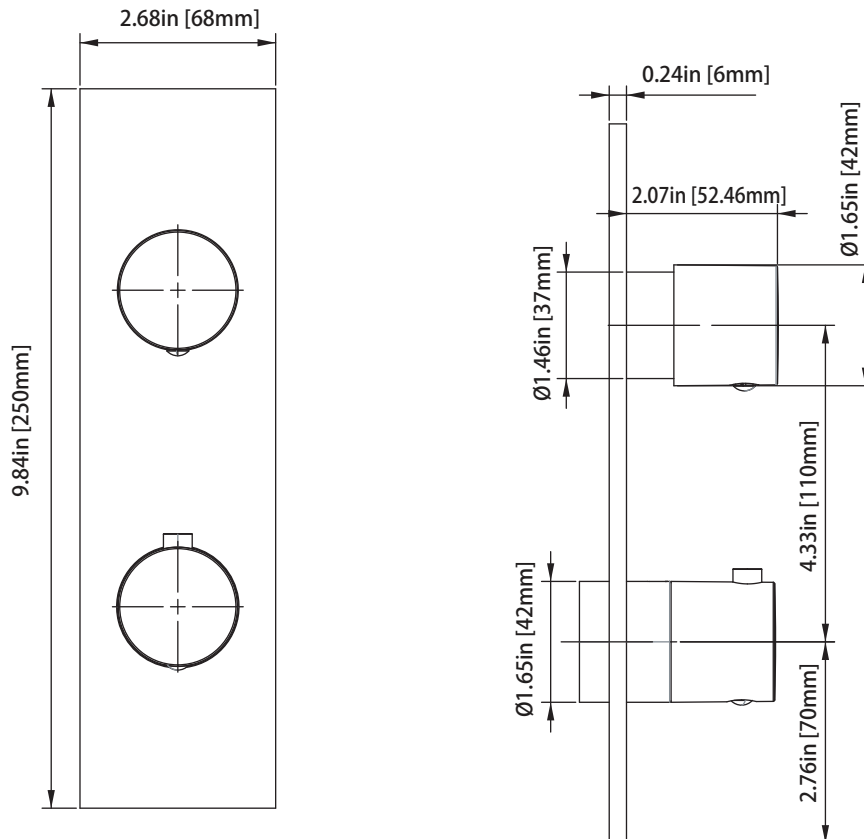
Legislation Compliance



ZeroDrip Technology

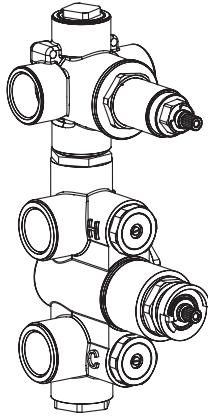


Technical Diagram





TVH.2717F | 3/4" Thermostatic Valve With 2-Way Diverter & Integrated Volume Control Page 1 of 2



SPECIFICATIONS:

- Turn bottom knob to control temperature.
- Turn top knob to control water flow.
- Thermostatic Valve Flow Rate - 8.0 GPM @ 60 PSI
- Extension Available - TVH.4101E**

STANDARDS:

- ASME A112.18.1 / CSA B125.1

! A separate volume control is **not** needed to turn water supply off. Volume control functionality is integrated within this valve.

CALGreen Compliant



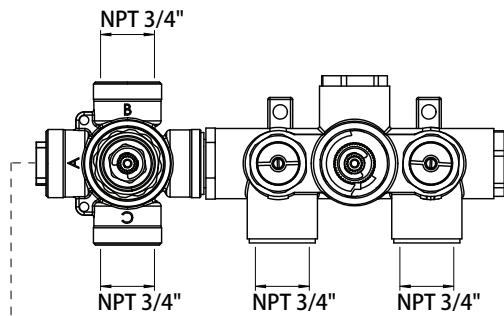
Legislation Compliance



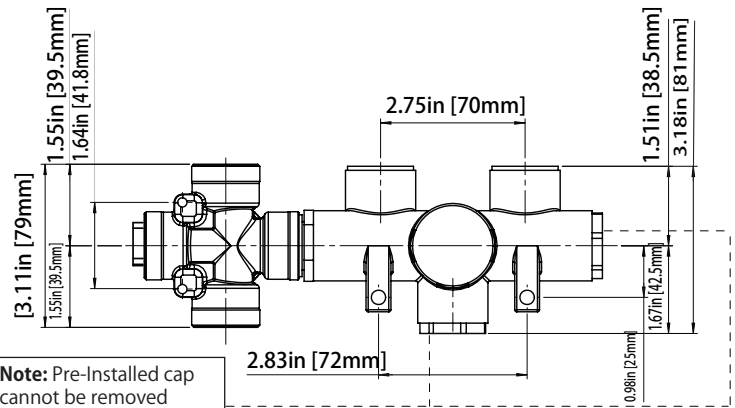
ZeroDrip Technology



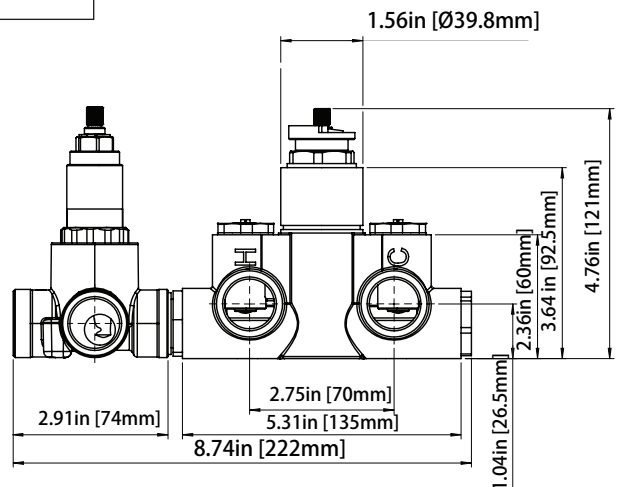
Technical Diagram



Note: Pre-Installed cap cannot be removed



Note: Pre-Installed cap cannot be removed unless a separate volume control or diverter is used



TVH.2717F | 3/4" Thermostatic Valve With 2-Way Diverter & Integrated
Volume Control Page 2 of 2

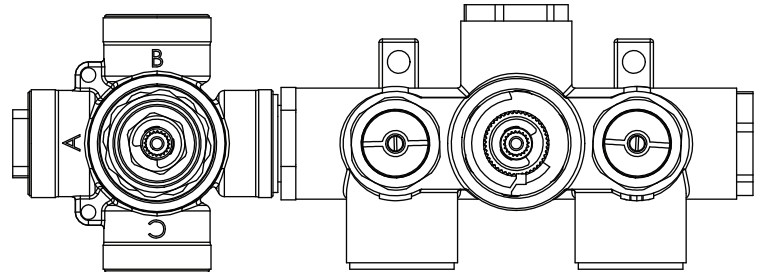


TWO OUTPUT - CAL-GREEN - NO SHARED PORT OPERATION

Diverter Cartridge # - **15109** (Included)

Total 3 Positions as defined below, with **only** 1 port active at one time.

- Position 0 - Off - No Water Flow
- Position 1 - Output B Activated
- Position 2 - Output C Activated



TWO OUTPUT - SHARED PORT OPERATION

Diverter Cartridge # - **15103** (Not Included)

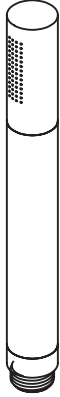
Total 4 Positions as defined below, with 2 ports active at one time.

- Position 0 - Off - No Water Flow
- Position 1 - Output B Activated
- Position 2 - Output B+C Activated
- Position 3 - Output C Activated

HS1004H | Solid Brass Hand Shower

SPECIFICATIONS:

- Solid Brass Construction
- 1.8 GPM Flow Rate
- With back flow prevention check valve



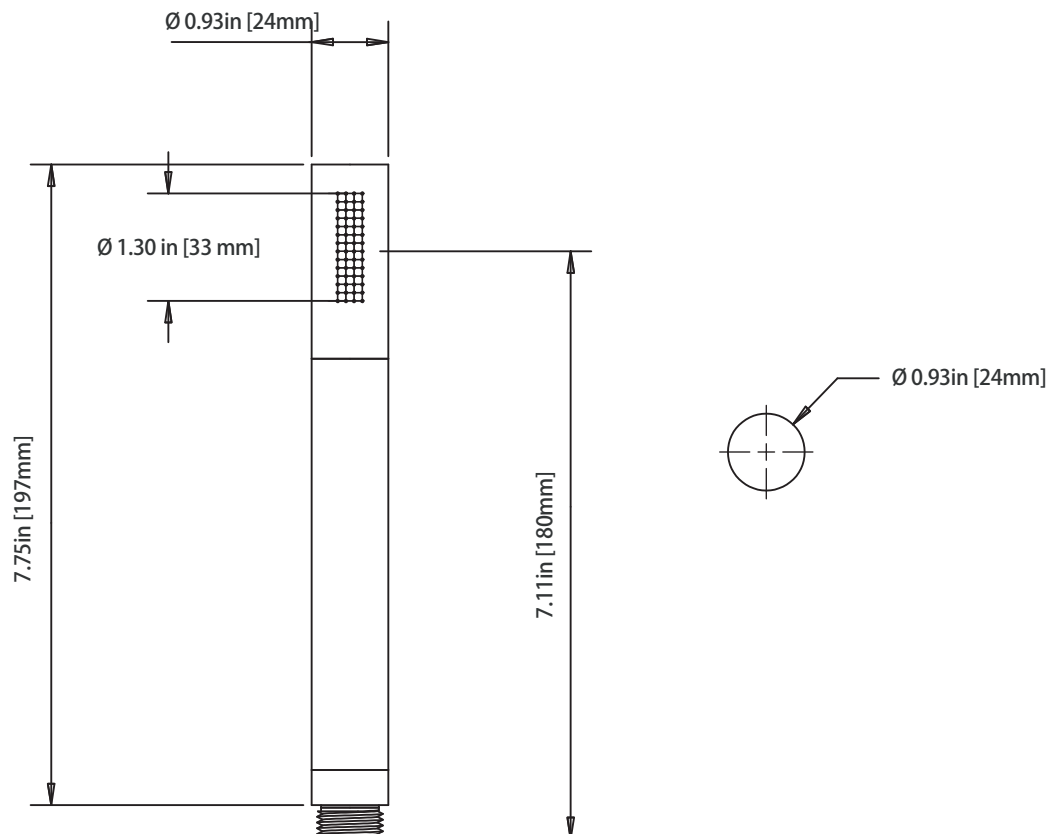
Legislation Compliance



ZeroDrip Technology



Technical Diagram



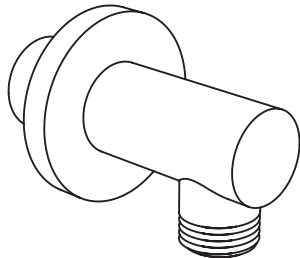
100.5502 | Wall Elbow

SPECIFICATIONS:

- Solid Brass construction
- 1/2" female connection with adjustment
- Includes check valve with back-flow prevention

FAST SHIP FINISHES :

- Chrome - 100.5505CP / Brushed Nickel - 100.5505BN



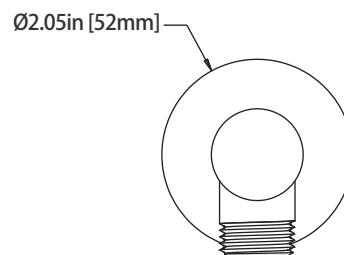
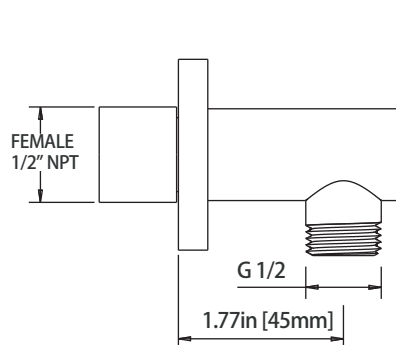
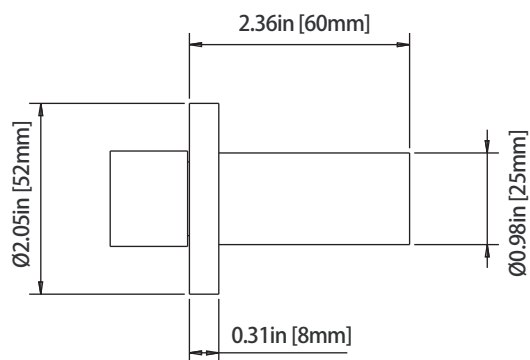
Legislation Compliance



ZeroDrip Technology



Technical Diagram



SP.150EM | Easy Maneuver Hose



SPECIFICATIONS:

- Stainless steel construction
- G-1/2" connection
- 1.5m length

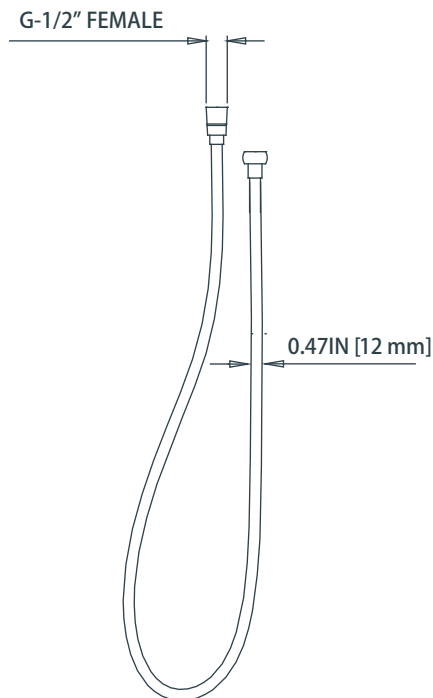
Legislation Compliance



ZeroDrip Technology



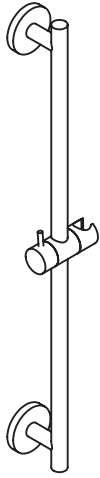
Technical Diagram



100.601001A | Slide Bar

SPECIFICATIONS:

- Solid Brass Construction
- Easy front of wall installation



Legislation Compliance



ZeroDrip Technology



Technical Diagram

