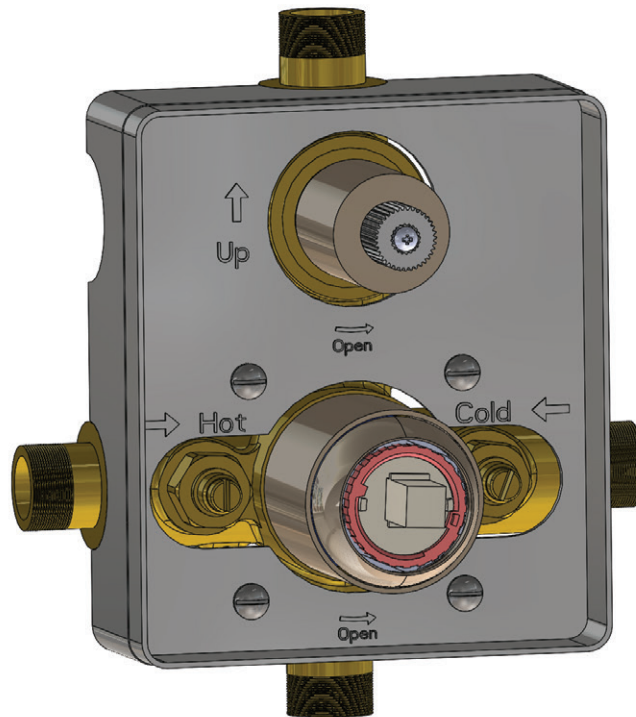




Installation Manual - PBV.1005A

1/2" Pressure Balance Valve With Integrated 2-way Diverter

Use With Trims Ending in *2101 & *2100



BEFORE YOU BEGIN

- You must observe all local plumbing laws and codes.
- Do not install this valve if it does not meet local plumbing codes.
- Shut off the main water supply.

TABLE OF CONTENTS

• Operating Specifications	1
• Valve Installation And Tolerance	
• Cut-Out Dimensions	1
• Rough In Specification	2
• Connecting The Supply & Output Lines	3
• Trim Markings / Water Output	5
• Using The Supply Stops	6
• Flushing The Valve	6
• Installing The Trim	6
• Replacing The Temperature Cartridge	9
• Replacing The Diverter Cartridge	9
• Installing The Extension Kit	10

NOTICE TO HOMEOWNER

- We recommend that this product is installed by a qualified professional plumber.
- Please check this product immediately to ensure that it has not been damaged and is complete. Before installation, please make sure this product is the correct model and you have all the parts required for installation and use.
- Please flush the water system to ensure that no metal swarf, solder, and other impurities can enter the product.
- Turn off water supply before commencing work.
- Please read these instructions carefully and retain for future reference.

OPERATING SPECIFICATIONS

WATER TEMPERATURE



This product is to be used with water at a temperature range of 40°F - 120°F ONLY!

WATER PRESSURE



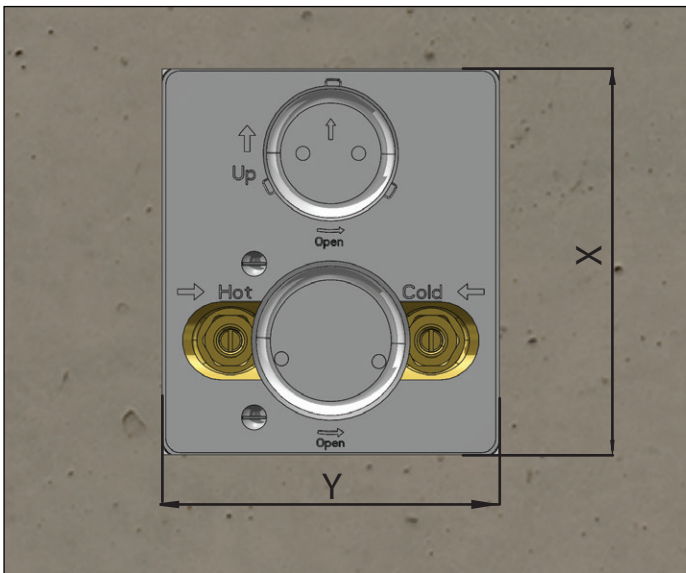
This product is to be used with a water pressure range of 15 PSI to 80 PSI ONLY

If water pressure is greater than 80 PSI install a pressure reducing valve (PRV)

This valve meets or exceeds ANSI A112.18.1 and ASSE 1016

This valve is certified by IAPMO

CUT OUT DIMENSIONS



Isenberg's PBV1005A valve comes with a pre-attached mud-guard. This mud-guard is not to be removed or discarded. Its purpose is to guide the installation professional on the proper cut-out dimensions of the drywall.

Wall Cut Out Dimensions
From **Center Point** of Valve:

PBV.1005A

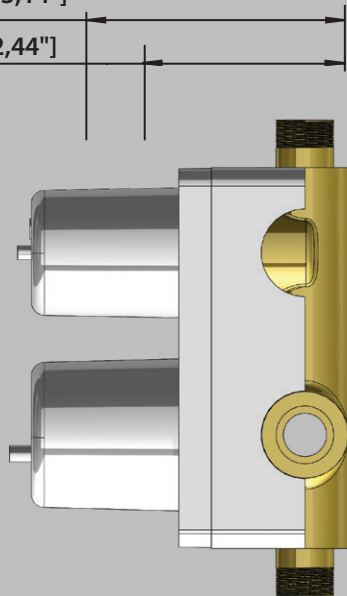
X = 138mm / 5.43"

Y = 121mm / 4.76"

ROUGH IN SPECIFICATION

Maximum = 80mm [3,14"]

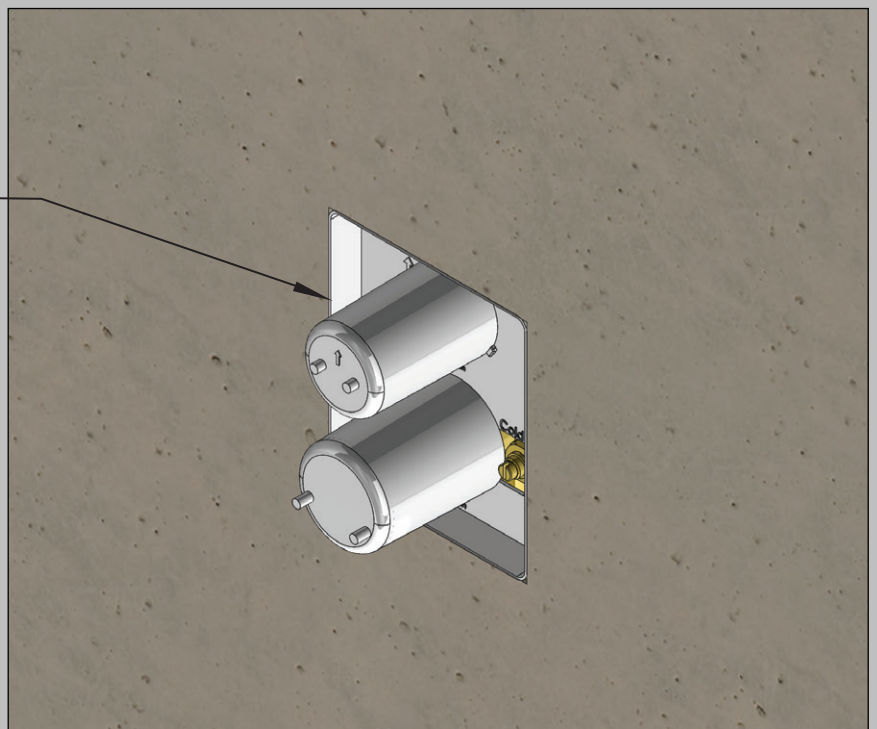
Minimum = 62mm [2,44"]



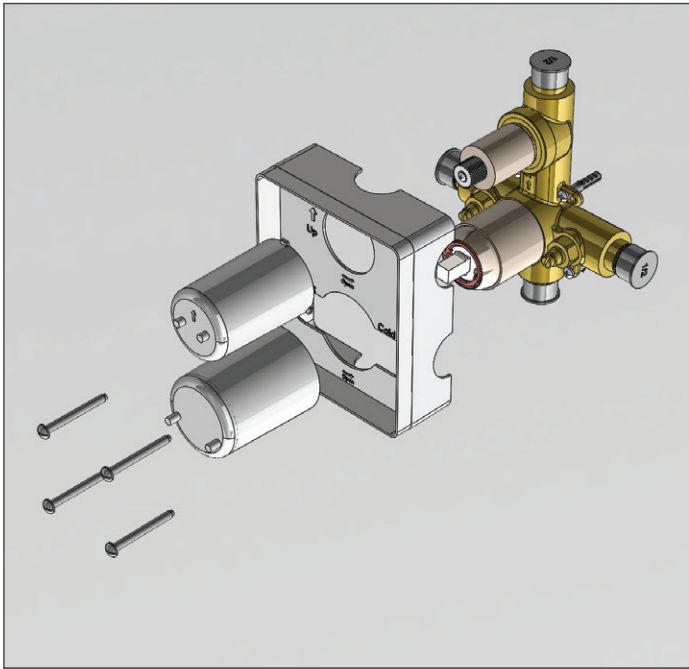
The distance between back of the valve to the finished tile surface should be between 2.44 and 3.14 inches.

Finished tile should fall between Min & Max.

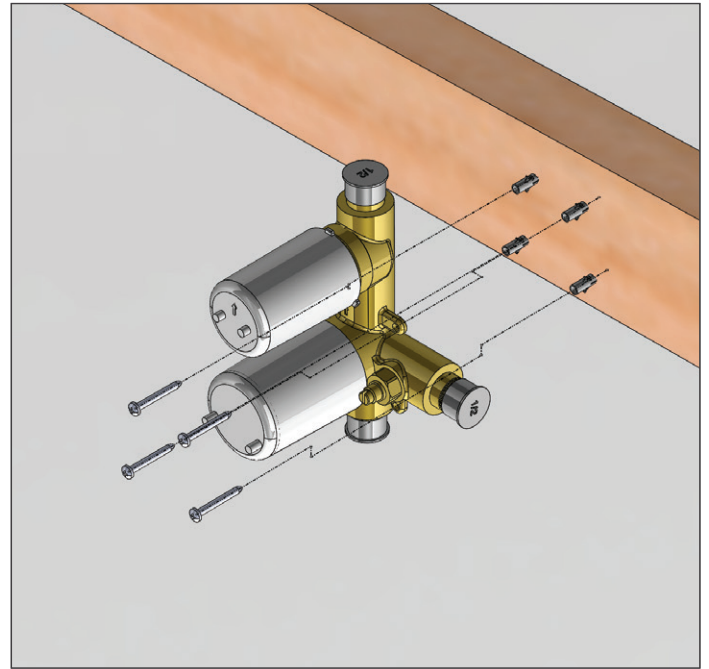
If valve is installed too deep into the wall, extensions are available.



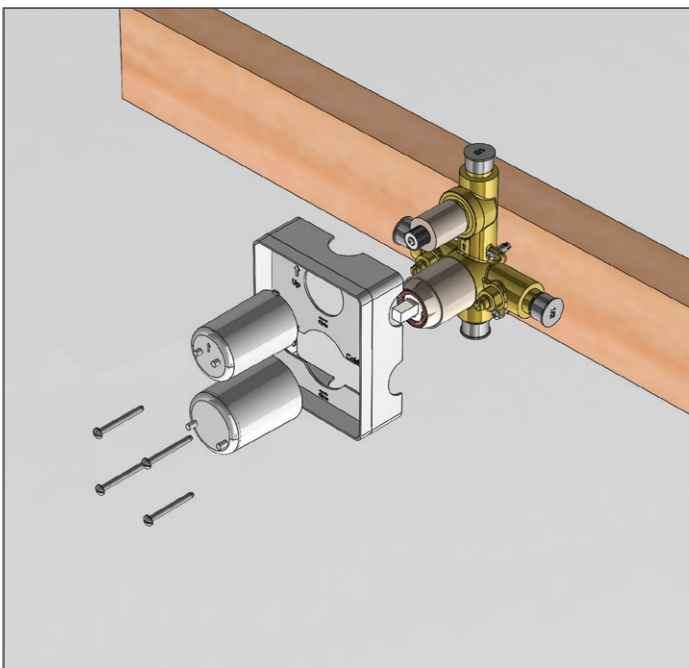
CONNECTING THE SUPPLY & OUTPUT LINES



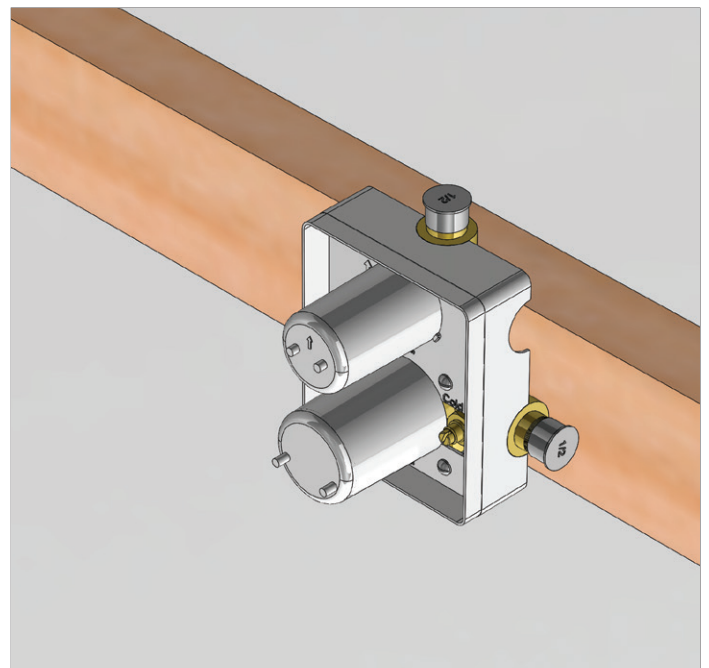
Fix Valve on wooden plank



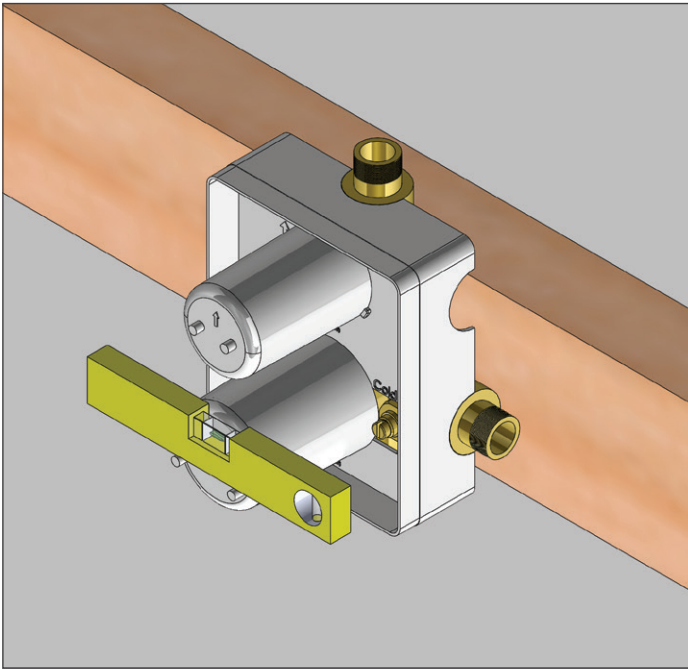
Level Valve



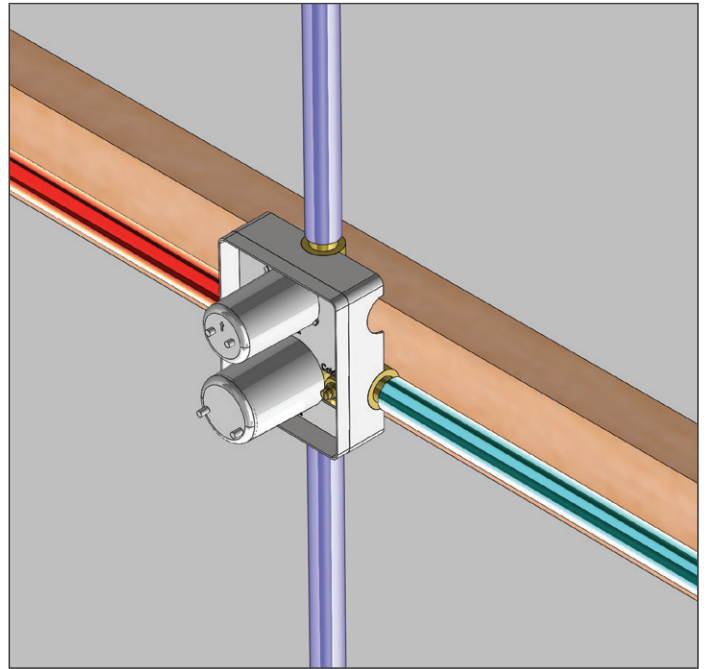
Attach Hot/Cold Supply Lines



CONNECTING THE SUPPLY & OUTPUT LINES

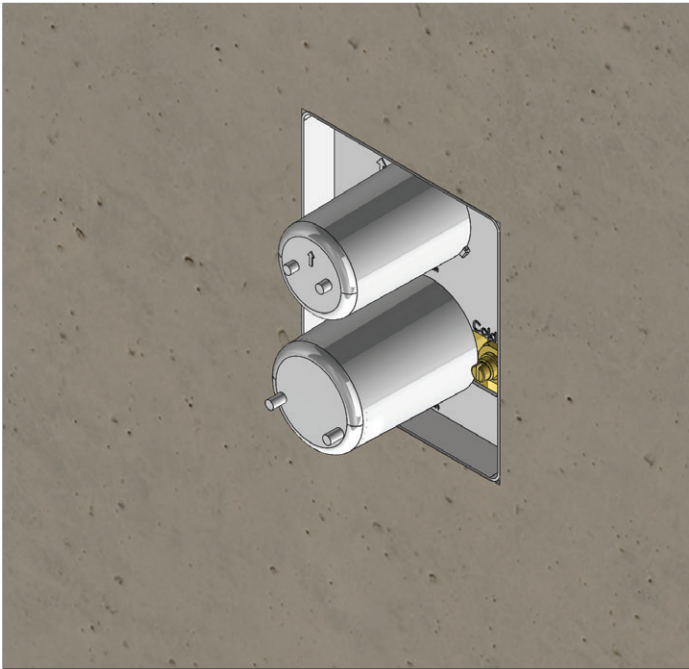


Level Valve



Attach Hot/Cold Supply Lines

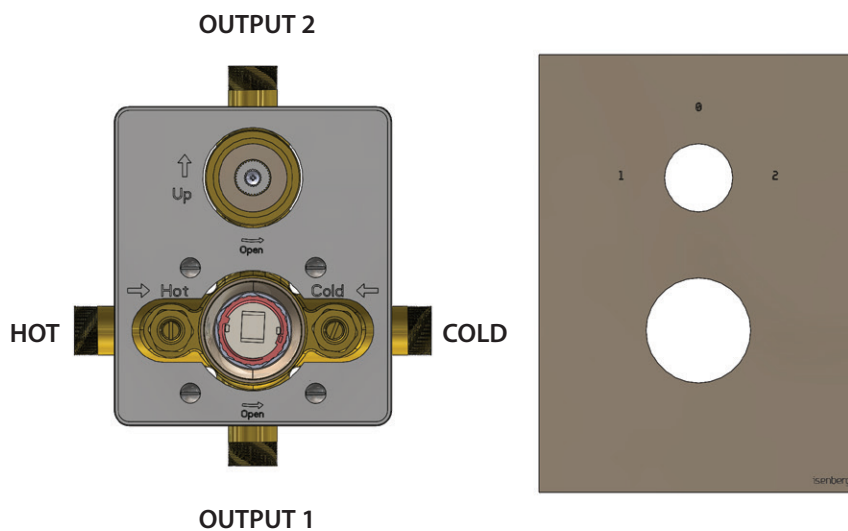
FINISH TILE POSITION



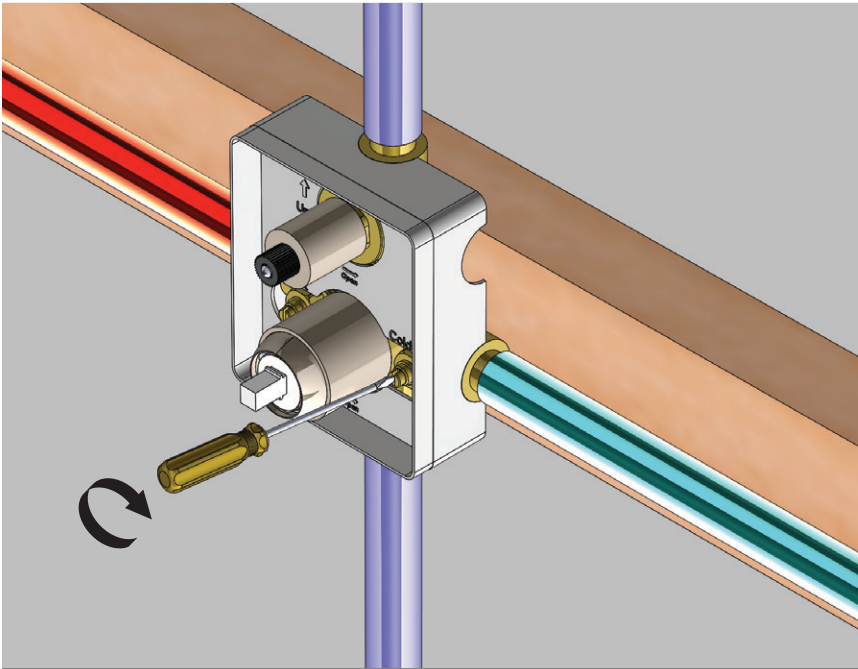
Install Drywall and Tile. Ensure finished tile surface is between the min and max marks on the mud guards.

TRIM MARKINGS / WATER OUTPUT

The below diagram shows the markings on the trim plate and the outputs on the valve. This will help the installation professional to connect the appropriate accessories to the valve output ports.



USING THE SUPPLY STOPS

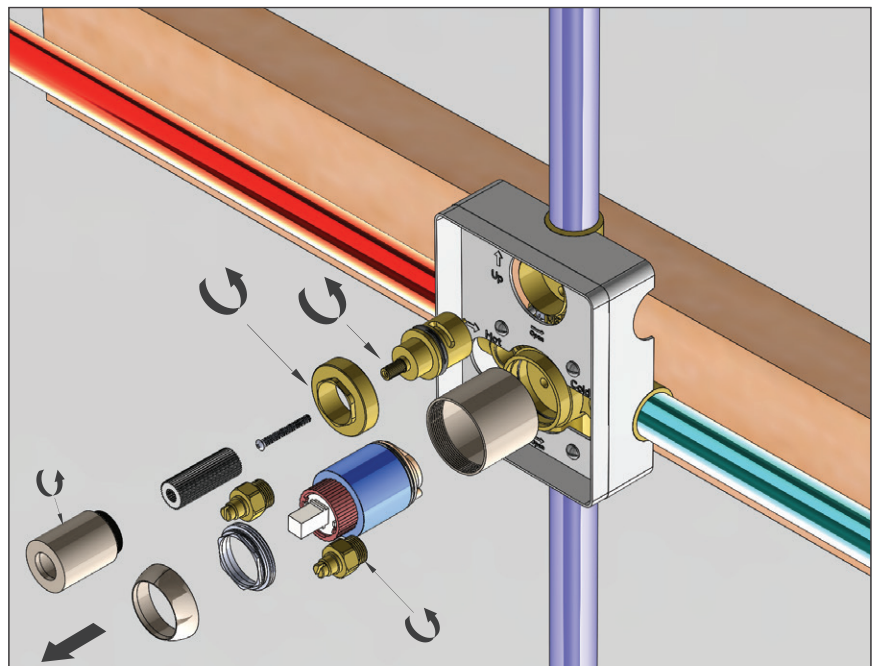


Turn Clock-wise 7 times to stop water flow.

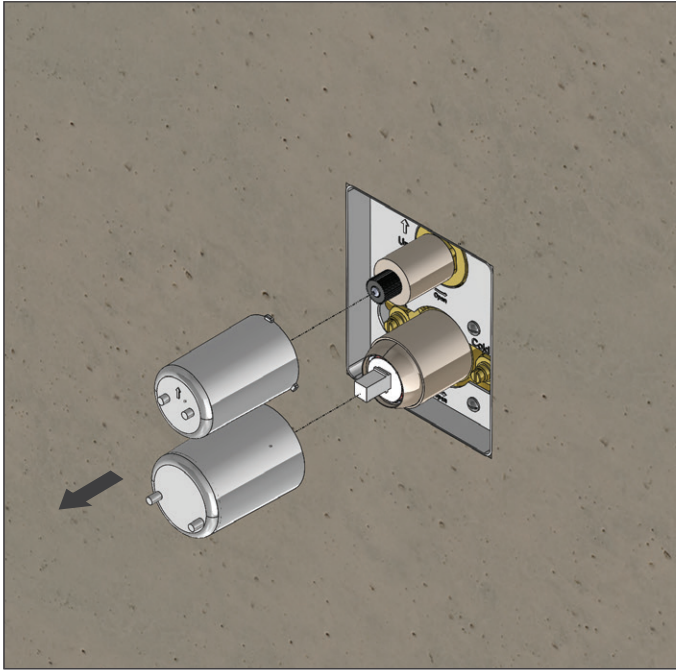
FLUSHING THE VALVE

In order to clear dirt in the lines - you must flush the valve before the wall is closed and water is turned on for the first time.

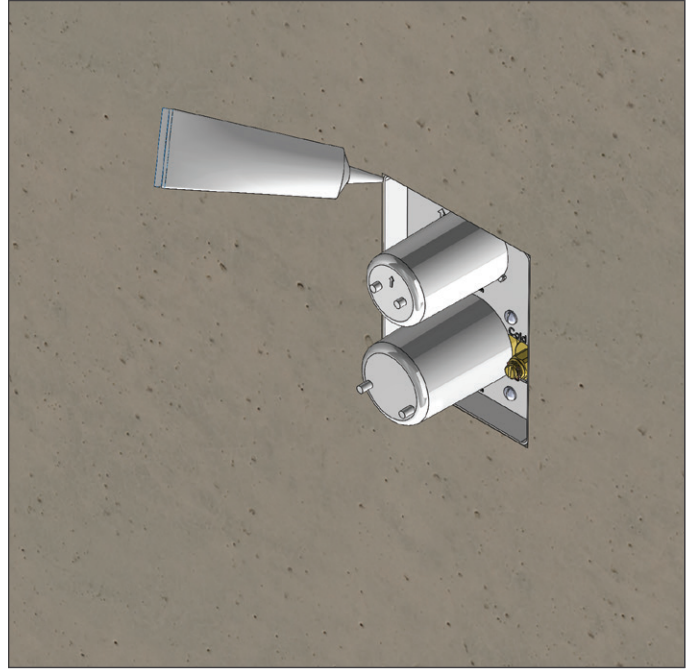
- 1) Remove the 2 supply stops by turning with a spanner
- 2) Remove temperature cartridge by turning with a spanner
- 3) Remove volume control cartridge by turning with a spanner
- 4) Turn on water supply and let water flow removing any dirt in the lines.



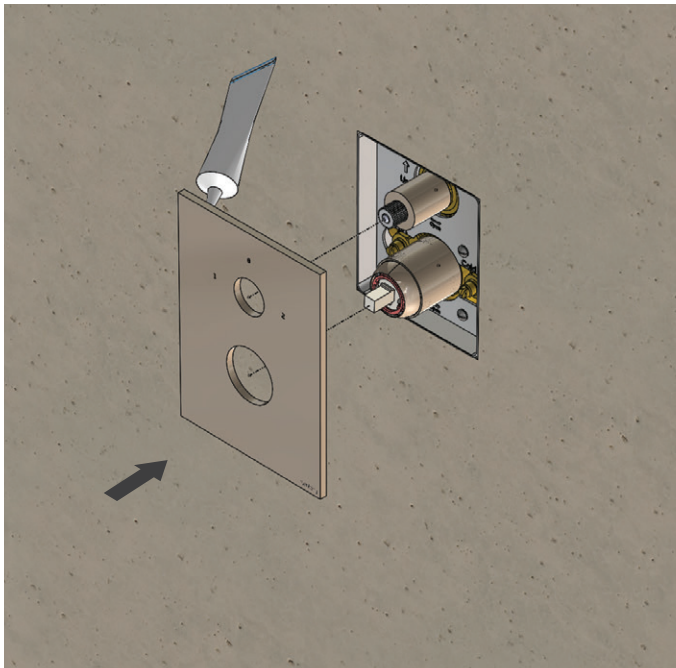
INSTALLING THE TRIM - TRIM PLATE SIZE AND SHAPE MAY VARY - ILLUSTRATION ONLY



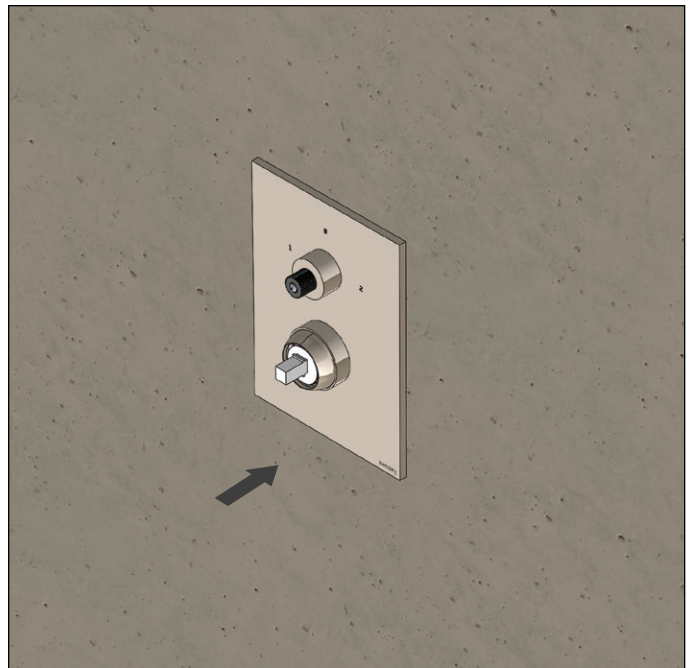
Remove mud guards



Apply silicone between mud guard and dry wall / tile

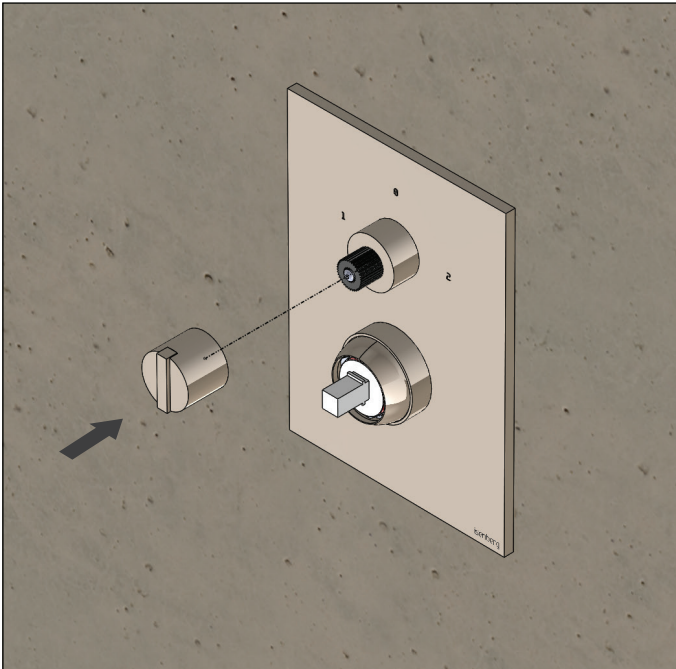


Apply silicone behind trim plate

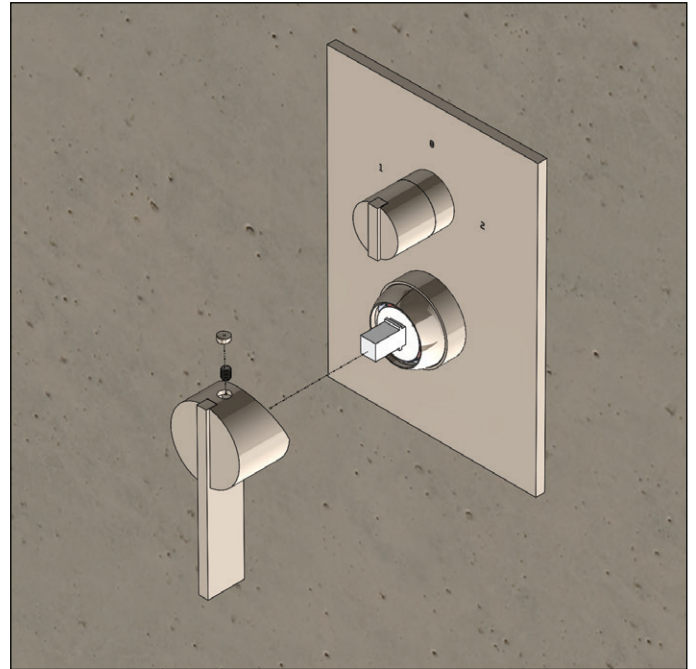


Push trim plate towards wall

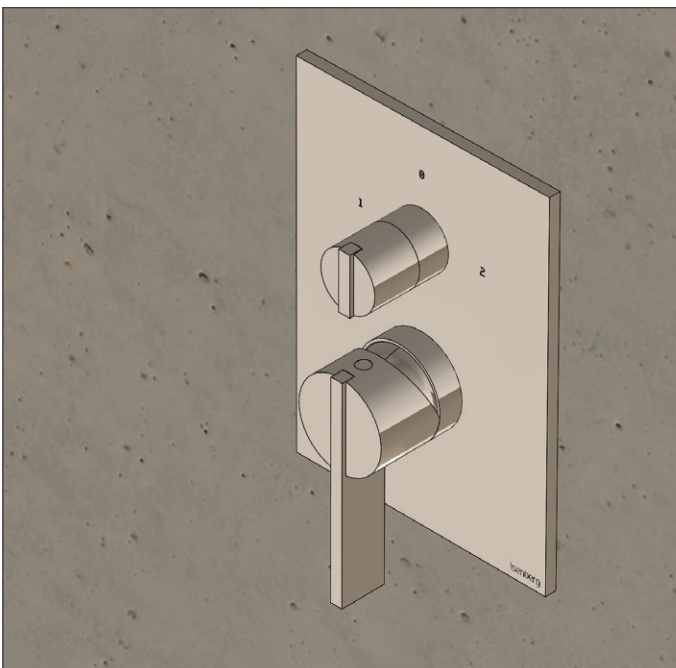
INSTALLING THE TRIM - TRIM PLATE SIZE AND SHAPE MAY VARY - ILLUSTRATION ONLY



Insert diverter handle

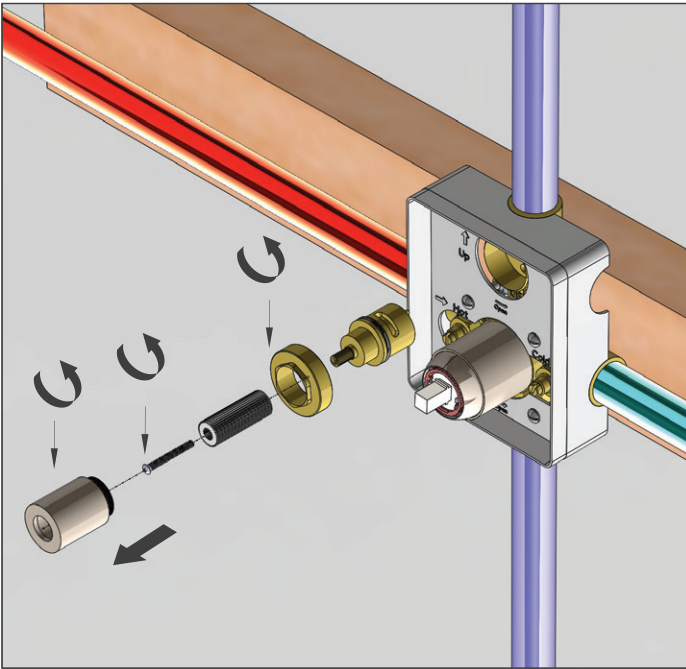


Insert temperature handle and tighten hex screw, then insert cover button



This photo shows a completely installed trim

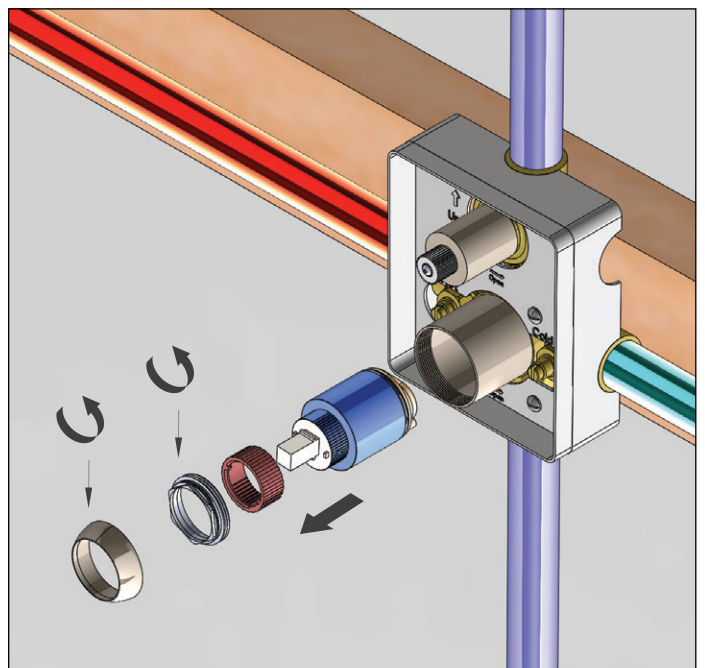
REPLACING THE DIVERTER CARTRIDGE



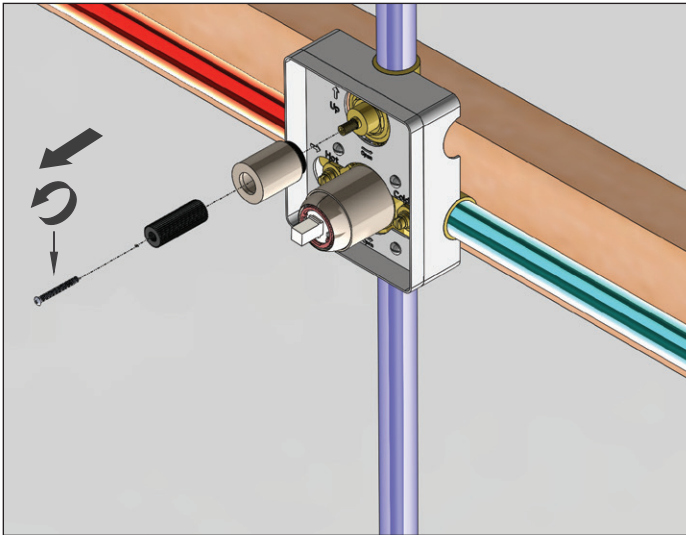
1. Remove diverter cover by turning with hand
2. Removed diverter holding nut with wrench
3. Remove diverter cartridge

REPLACING THE TEMPERATURE CARTRIDGE

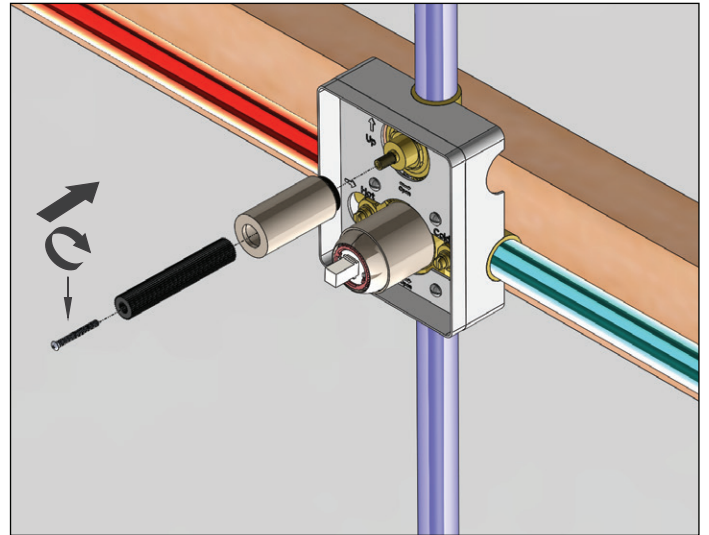
1. Remove cartridge circular bezel with hand
2. Removed cartridge retaining nut with wrench
3. Remove temperature cartridge



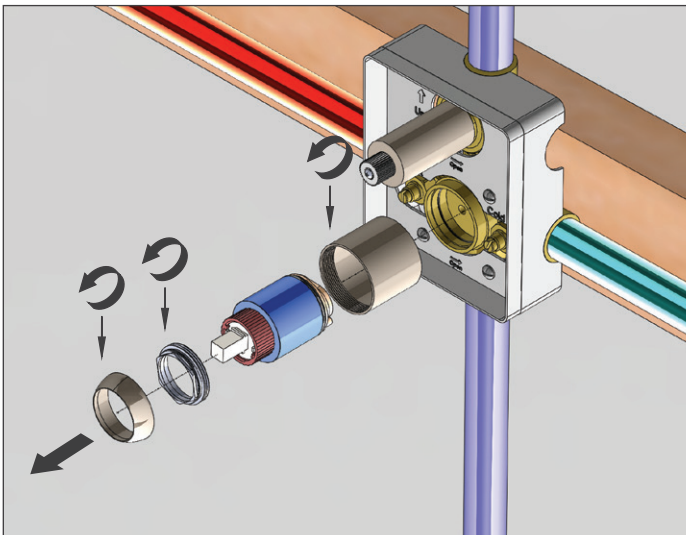
INSTALLING EXTENSIONS TO THE VALVE - OPTIONAL



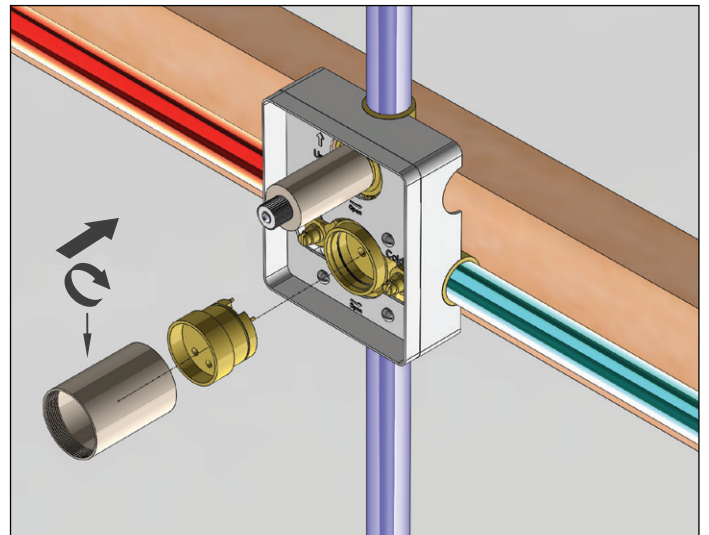
Remove diverter trim piece



Insert Diverter extension

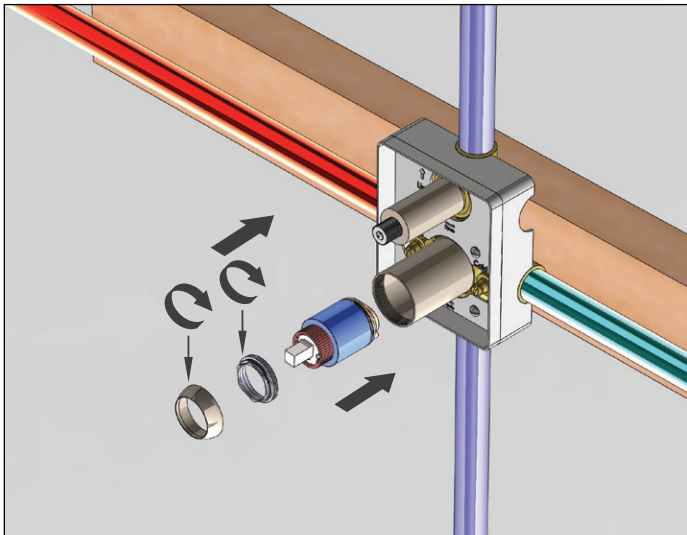


Remove temperature cartridge and cartridge cover

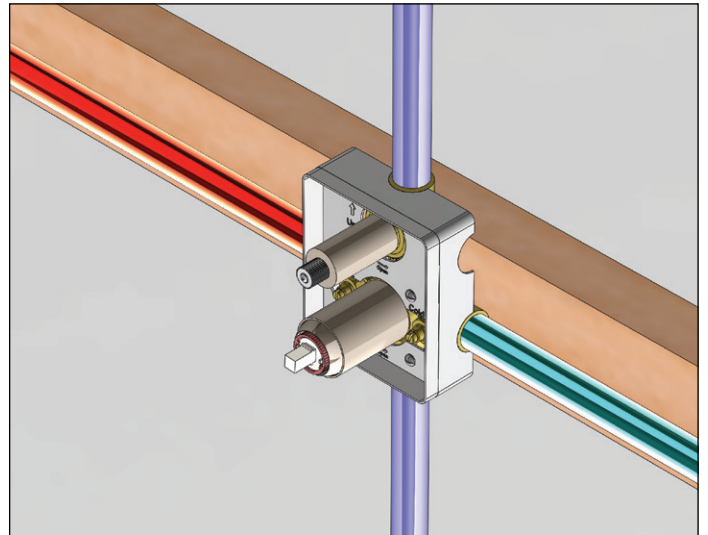


Insert temperature extension piece and extended cartridge cover

INSTALLING EXTENSIONS TO THE VALVE - OPTIONAL



Insert temperature cartridge, retaining nut and bezel



Fully installed extension kit is seen above